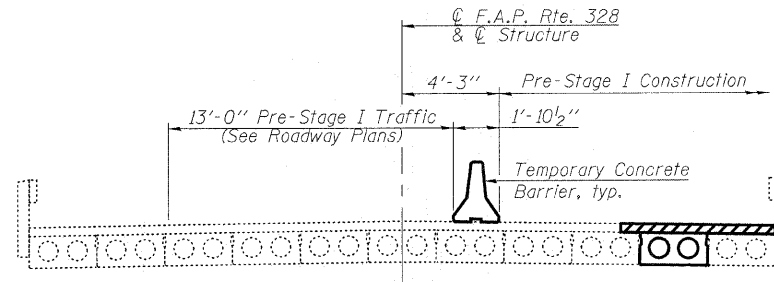


STATE OF ILLINOIS
DEPARTMENT OF TRANSPORTATION

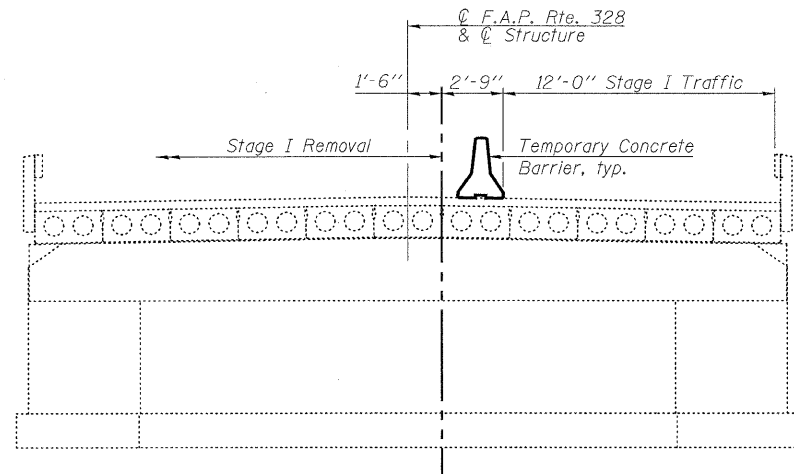
ROUTE NO.	SECTION	COUNTY	TOTAL SHEETS	SHEET NO.
F.A.P. 328	10BR-3) B-1	WAYNE	140	71
FED. ROAD DIST. NO. 7	ILLINOIS	FED. AID PROJECT-		

SHEET NO. 3
10 SHEETS

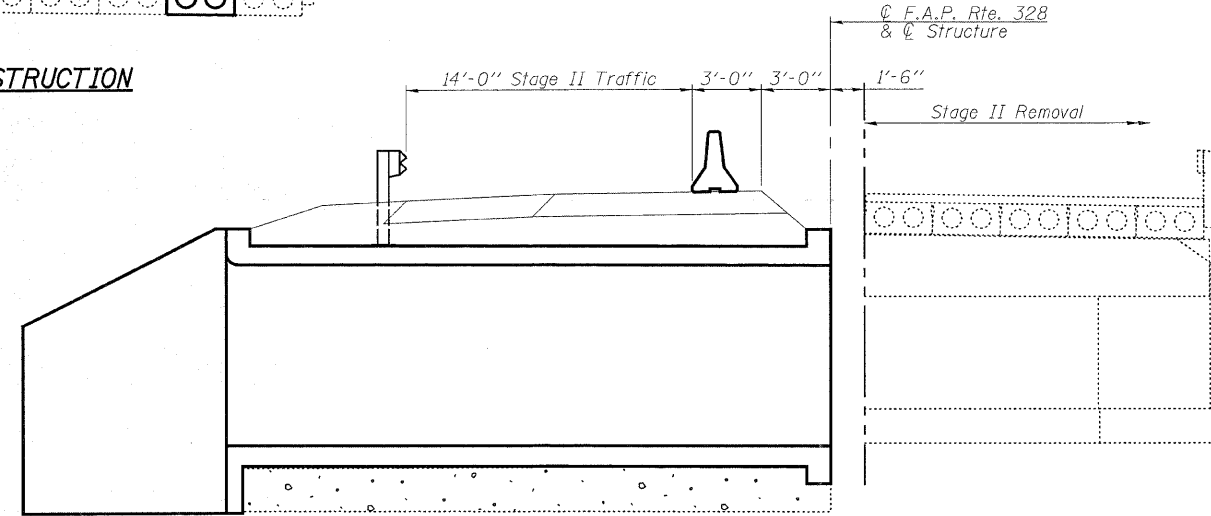
Contract #74040



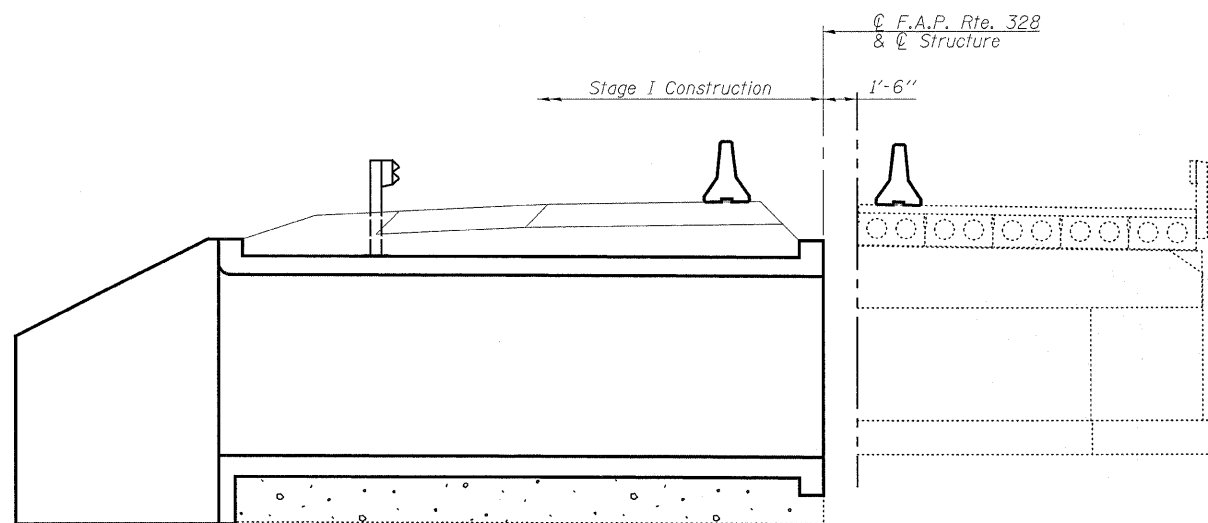
PRE-STAGE I CONSTRUCTION



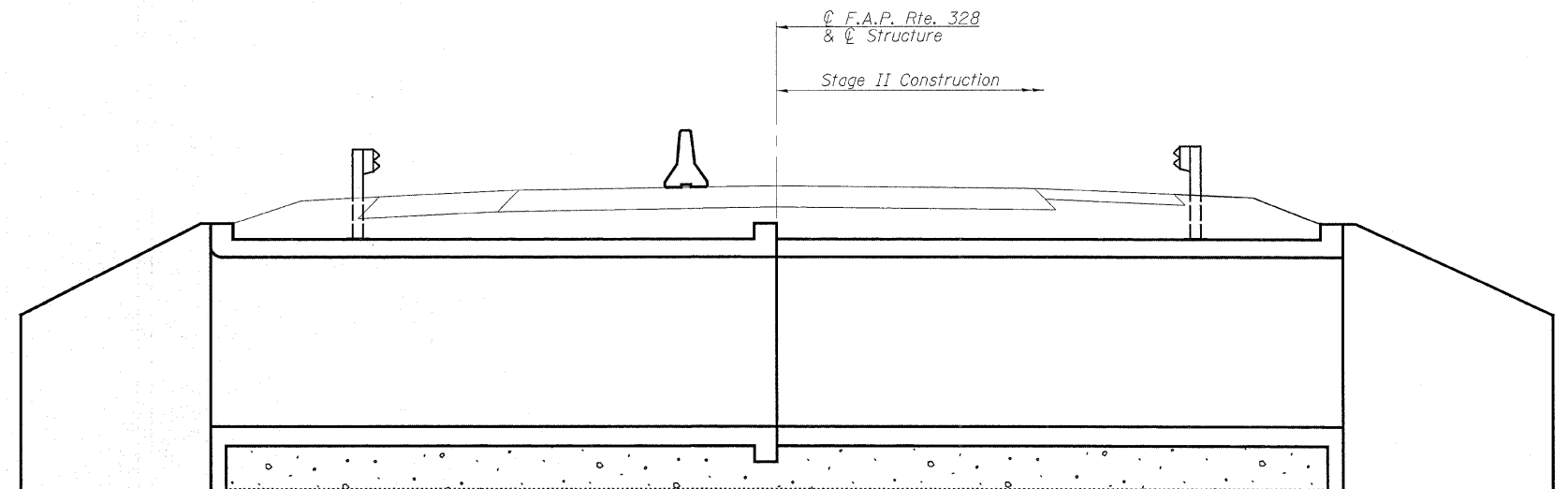
STAGE I REMOVAL



STAGE II REMOVAL



STAGE I CONSTRUCTION



STAGE II CONSTRUCTION

DESIGNED	JJD
CHECKED	KLH
DRAWN	JJD
CHECKED	NJM

Notes:
All sections are looking North.
All dimensions are at right angles to C US Route 45
For quantity of Temporary Concrete Barrier, see roadway plans.
For details of Temporary Concrete Barrier, see sheet 4 of 10.
Contractor shall completely remove the North and South Abutments in their respective stage.

**HORNER &
SHIFRIN, INC.
ENGINEERS**

STAGE CONSTRUCTION DETAILS
F.A.P. ROUTE 328 - SECTION (10BR-3)B-1
WAYNE COUNTY
STATION 410+21.00
STRUCTURE NO. 096-2010