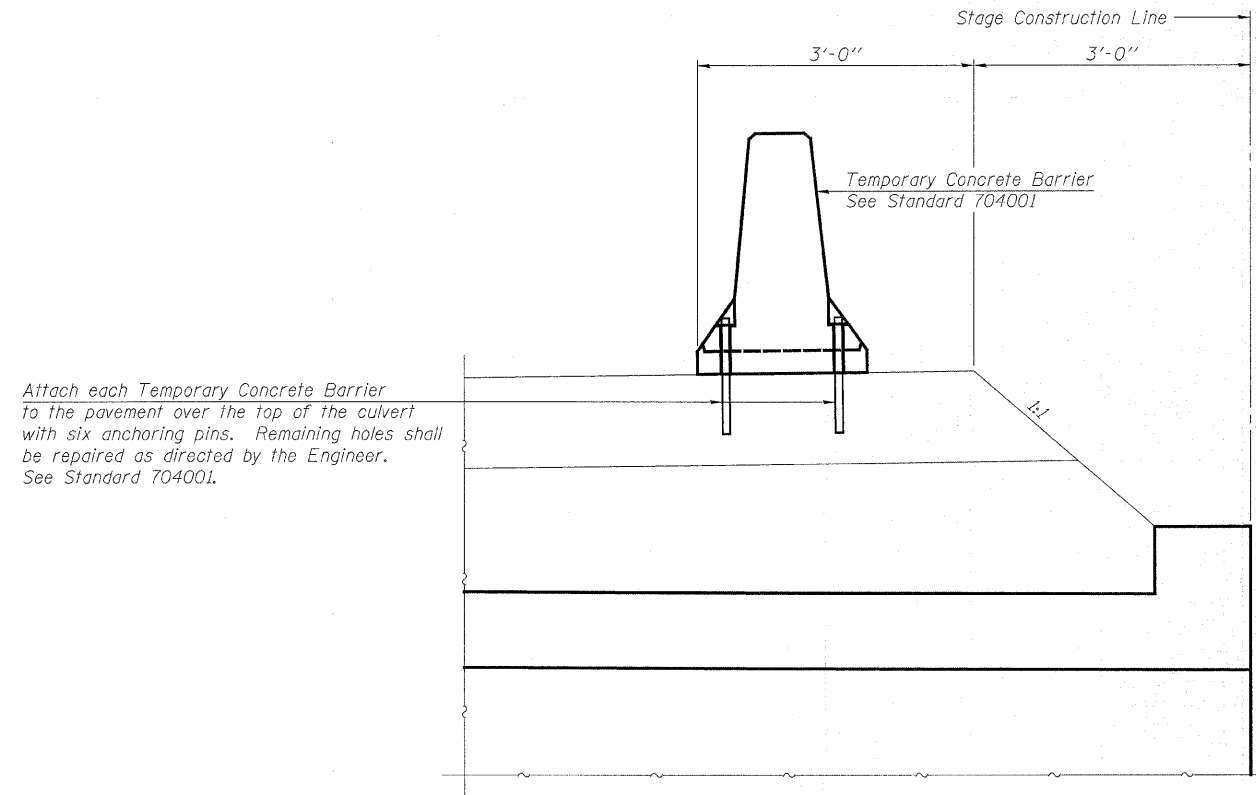


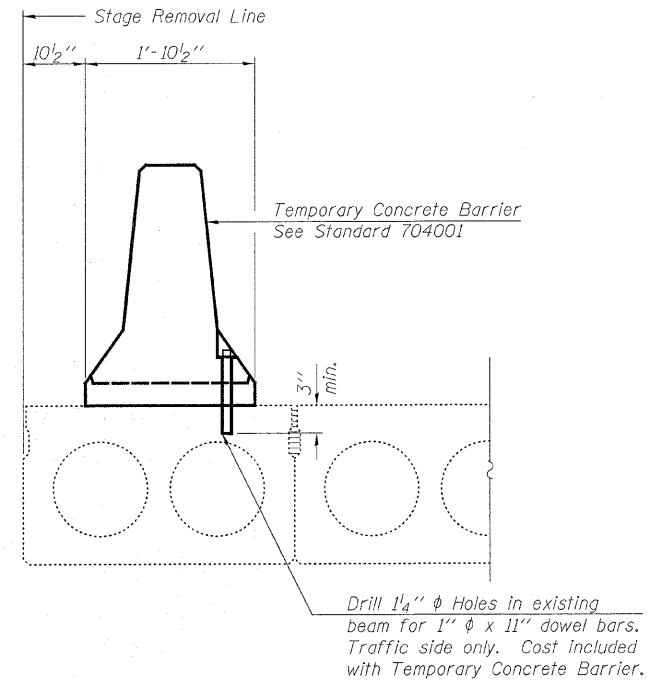
STATE OF ILLINOIS
DEPARTMENT OF TRANSPORTATION

| | | | | | |
|-----------------------|-------------|-------------------|--------------|-----------|-------------|
| ROUTE NO. | SECTION | COUNTY | TOTAL SHEETS | SHEET NO. | SHEET NO. 4 |
| F.A.P. 328 | 10BR-3) B-1 | WAYNE | 140 | 72 | 10 SHEETS |
| FED. ROAD DIST. NO. 7 | ILLINOIS | FED. AID PROJECT- | | | |

Contract #74040



SECTION THRU NEW CULVERT



SECTION THRU EXISTING PPC DECK BEAMS

| | |
|----------|-----|
| DESIGNED | JJD |
| CHECKED | KLH |
| DRAWN | JJD |
| CHECKED | NJM |

**HORNER &
SHIFRIN, INC.**
ENGINEERS

TEMPORARY CONCRETE BARRIER
F.A.P. ROUTE 328 - SECTION (10BR-3)B-1
WAYNE COUNTY
STATION 410+21.00
STRUCTURE NO. 096-2010