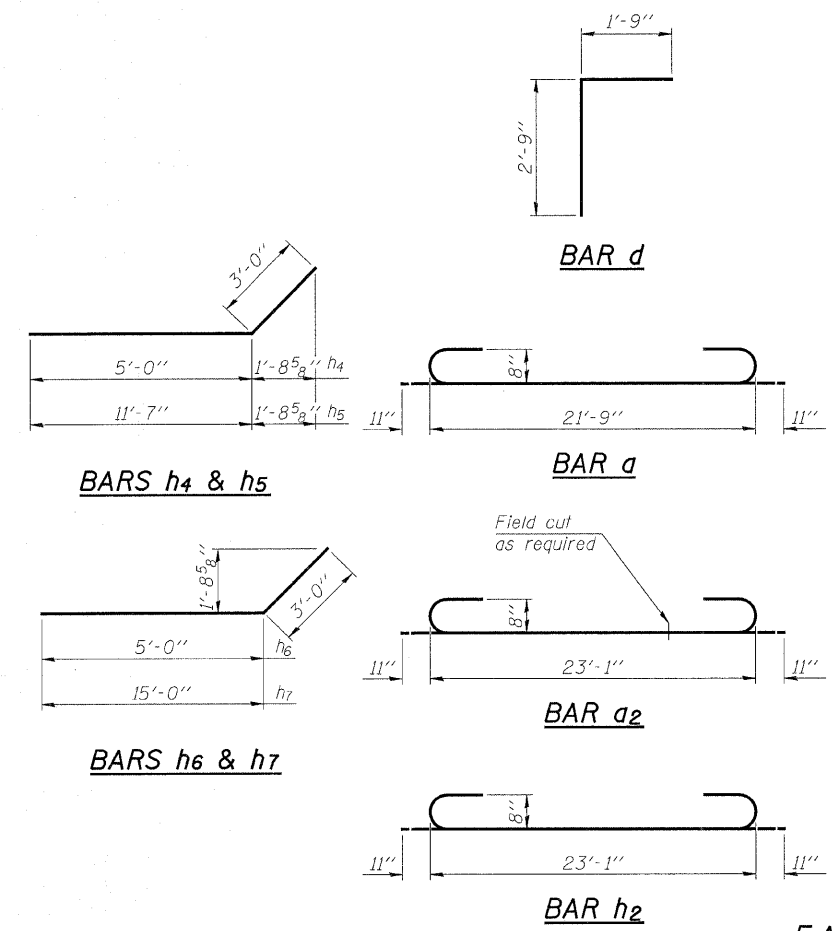
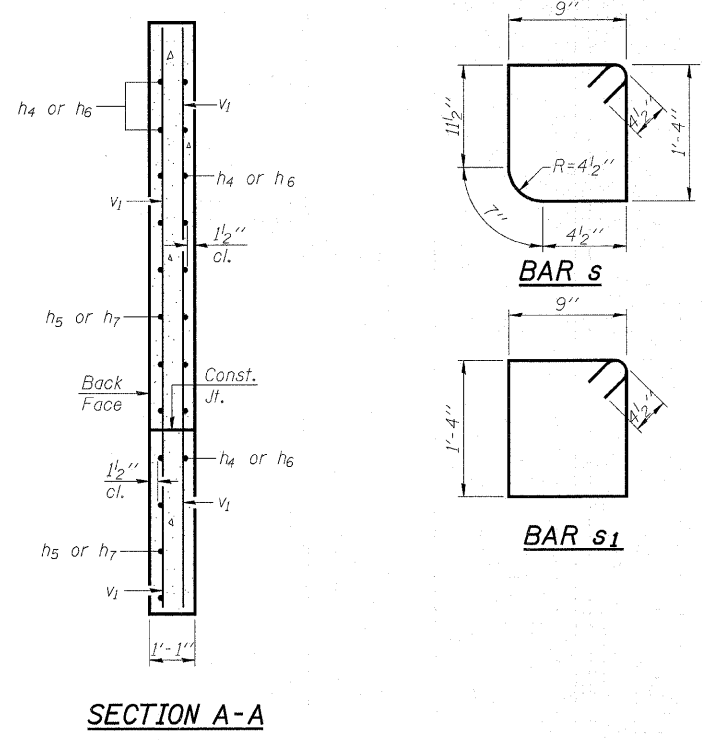
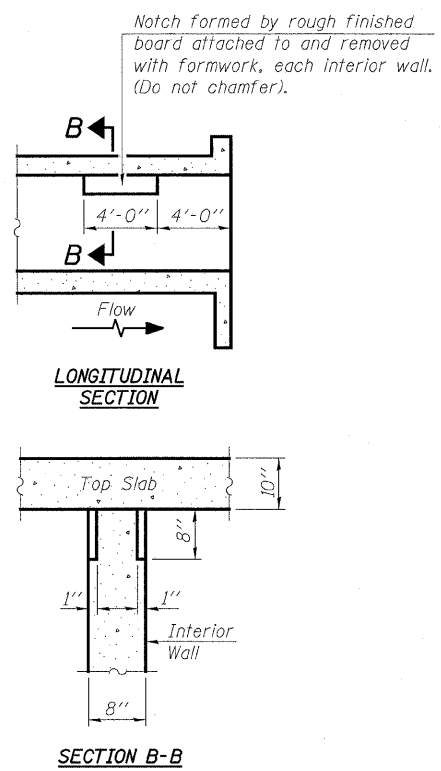
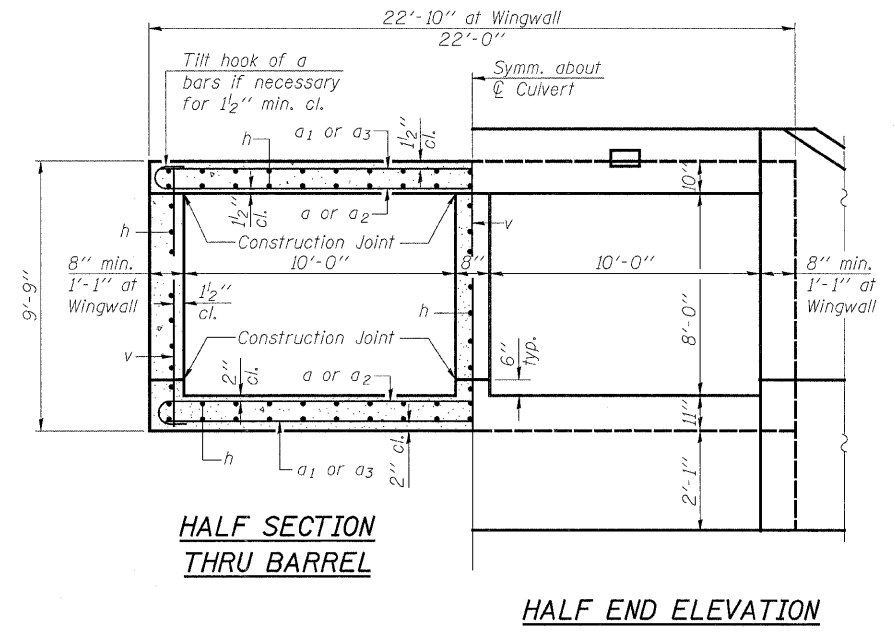
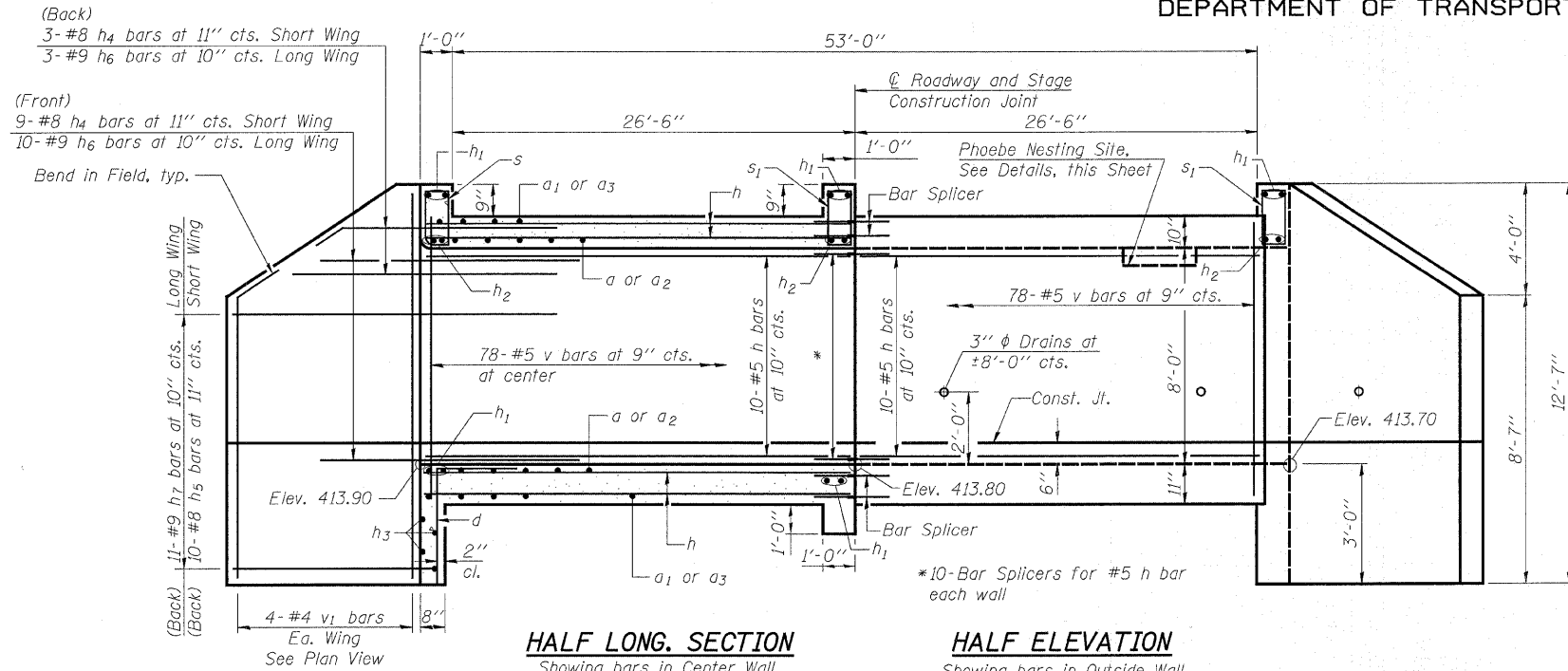


STATE OF ILLINOIS
DEPARTMENT OF TRANSPORTATION

ROUTE NO.	SECTION	COUNTY	TOTAL SHEETS	SHEET NO.	SHEET NO. 6
F.A.P. 328	10BR-3B-1	WAYNE	140	74	10 SHEETS
FED. ROAD DIST. NO. 7	ILLINOIS	FED. AID PROJECT-			

Contract #74040



BILL OF MATERIAL

Bar	No.	Size	Length	Shape
a	116	#8	23'-7"	U
a ₁	116	#8	21'-9"	U
a ₂	36	#8	24'-11"	U
a ₃	36	#8	23'-1"	U
d	44	#4	4'-6"	L
h	212	#5	29'-0"	—
h ₁	12	#8	23'-1"	—
h ₂	6	#8	24'-11"	—
h ₃	6	#5	23'-1"	—
h ₄	24	#8	8'-0"	—
h ₅	20	#8	14'-7"	—
h ₆	26	#9	8'-0"	—
h ₇	22	#9	18'-0"	—
s	40	#4	4'-9"	□
s ₁	80	#4	4'-11"	□
v	238	#5	9'-5"	—
v ₁	16	#4	12'-2"	—
Concrete Box Culverts			Cu. Yd.	148.6
Reinforcement Bars			Pound	32,680

DESIGNED	JJD
CHECKED	KLH
DRAWN	JJD
CHECKED	NUM

HORNER & SHIFRIN, INC.
ENGINEERS

CULVERT ELEVATION AND DETAILS
F.A.P. ROUTE 328 - SECTION (10BR-3)B-1
WAYNE COUNTY
STATION 410+21.00
STRUCTURE NO. 096-2010