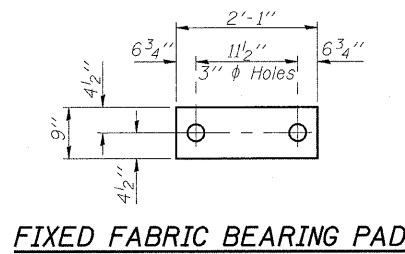


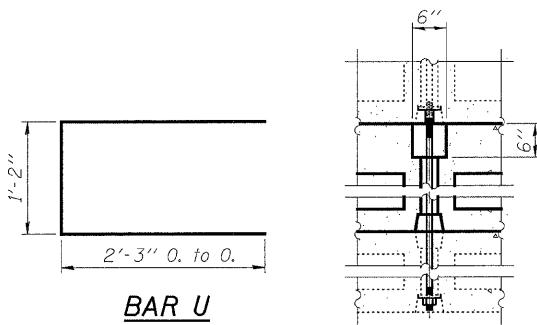
STATE OF ILLINOIS
DEPARTMENT OF TRANSPORTATION

ROUTE NO.	SECTION	COUNTY	TOTAL SHEETS	SHEET NO.
F.A.P. 328	10BR-3B-1	WAYNE	140	78
FED. ROAD DIST. NO. 7		ILLINOIS	FED. AID PROJECT-	

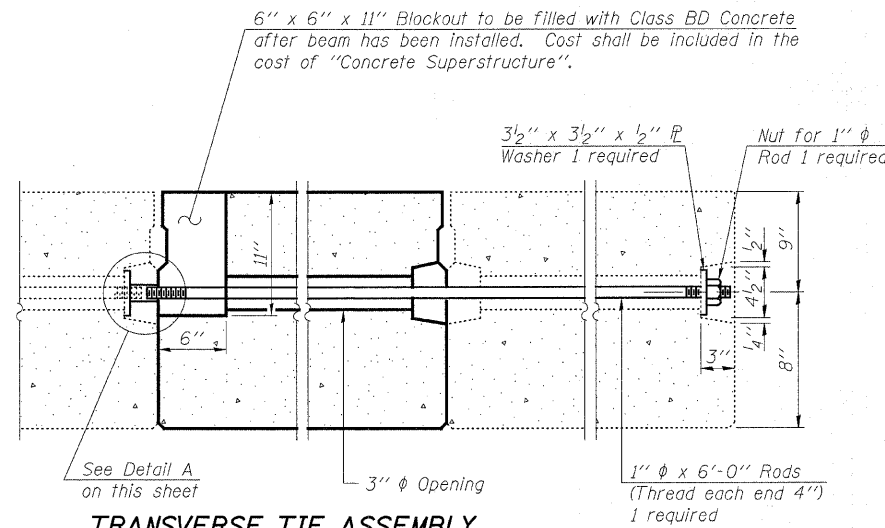
Contract #74040



FIXED FABRIC BEARING PAD

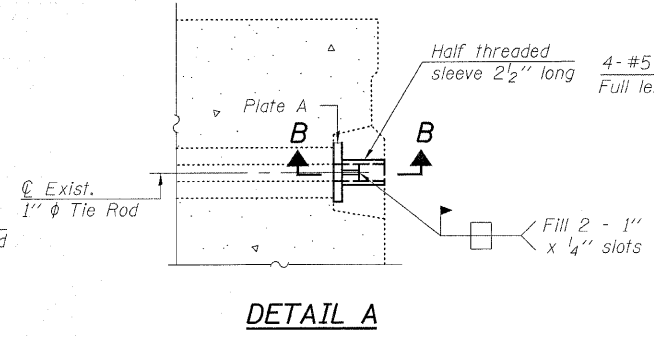


BAR U



TRANSVERSE TIE ASSEMBLY

Note: Dimensions shown are for new construction only.

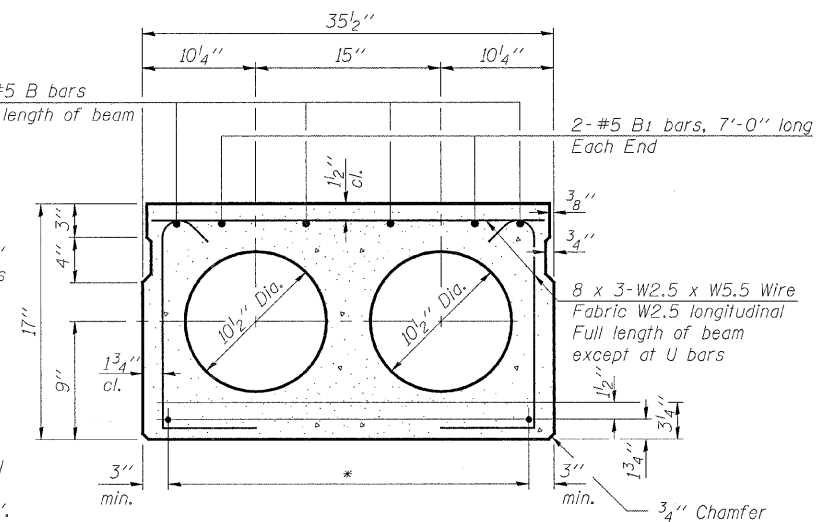


DETAIL A

***Transverse Strand Placement Guidelines**

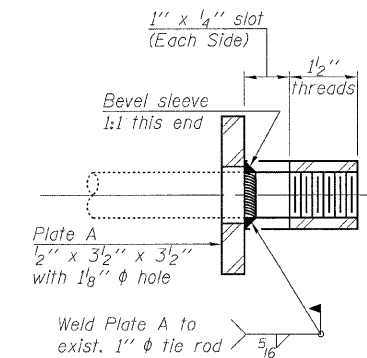
1. Place strands symmetrically about centerline of beam.
2. The minimum distance from center to center of strands in all directions shall be 2".
3. The minimum clearance from strand to dowel hole shall be 1/2".
4. The minimum clearance from strand to void shall be 1/2".

Vertical placement of strands shall not be adjusted to satisfy the above guidelines.



TYPICAL SECTION

1/2" ϕ Strands, Each Strand Stressed to 30,900 Lbs.
6-Strands 1 3/4" up, 2-Strands 3/4" up.



SECTION B-B

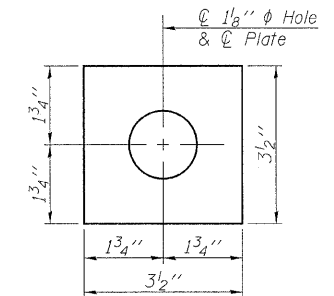
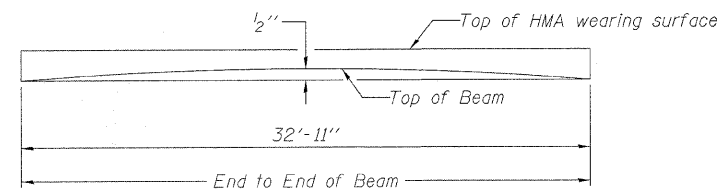
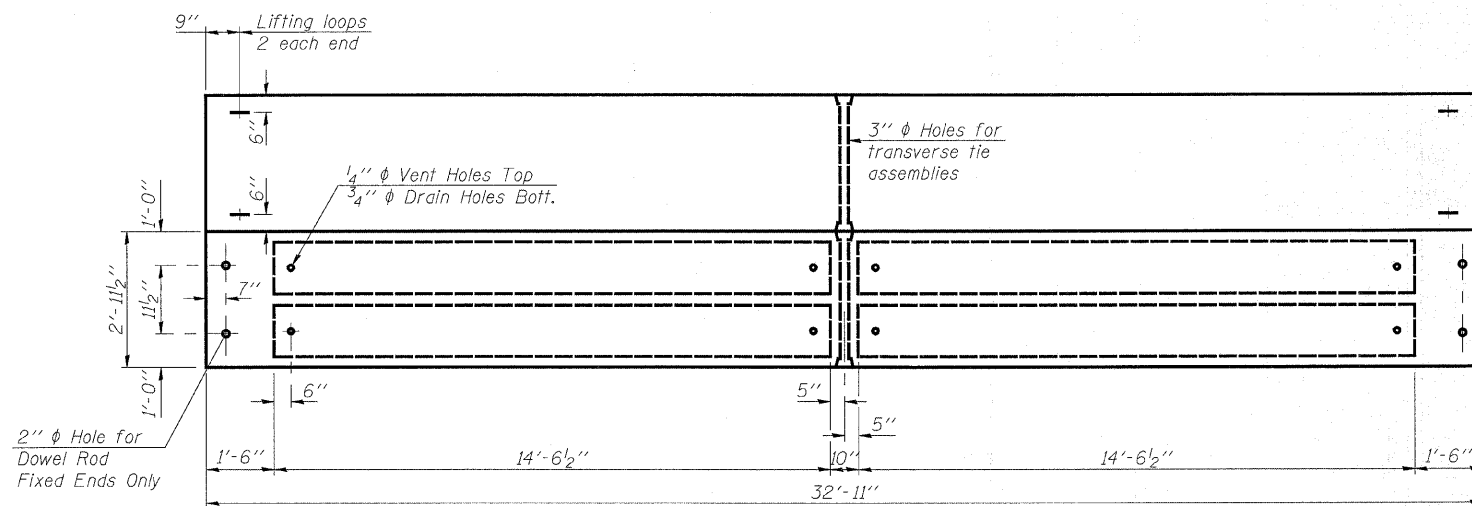


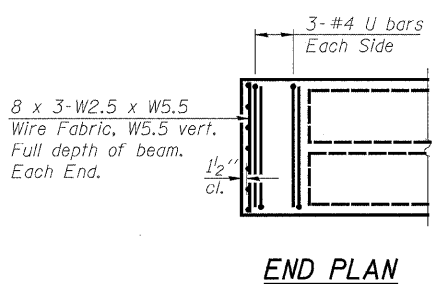
PLATE A



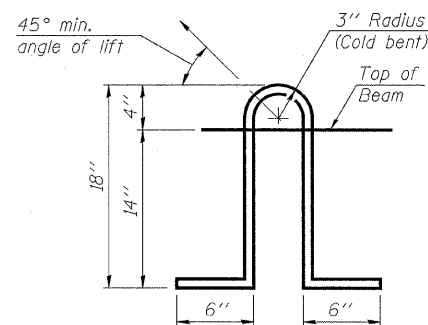
ANTICIPATED INITIAL CAMBER DIAGRAM



PLAN



END PLAN



LIFTING LOOP DETAIL

NOTES

Prestressing steel shall be uncoated high strength, low relaxation 7-wire strand, Grade 270. The nominal diameter shall be 1/2" and the nominal cross-sectional area shall be 0.153 sq. in. Lifting loops shall be 2-1/2" ϕ -270 ksi strands, as shown. The 1" ϕ rods in the transverse tie assembly shall be tightened to a snug fit and the threads set. Non prestressing steel shall conform to ASTM A 706 (IL MOD), Grade 60. The bearing seat surfaces shall be adjusted by shimming to assure firm and even bearing. Two 1/8" fabric adjusting shims of the dimensions of the Fixed Fabric Bearing Pad shall be provided for each bearing. Keyway surfaces shall be cleaned to remove form oil or other bond breaking material prior to shipment of the beams. Cleaning shall be done by sandblasting the keyway areas between top of the beam and the bottom edge of the key. Corrosion Inhibitor, per Article 1020.05(b)(12) of the Standard Specifications, shall be used in the concrete for precast prestressed concrete deck beams. Required Release Strength, f'ci, shall be 4,000 p.s.i. See sheet 9 of 10 for Shear Key Clamping Details at Replacement Beam Jts.

BILL OF MATERIAL

Item	Unit	Total
Concrete Superstructure	Cu. Yd.	0.1
Precast Prestressed Concrete Deck Beams (17" Depth) Special	Sq. Ft.	97

DESIGNED	JJD
CHECKED	EML
DRAWN	JJD
CHECKED	EML

HORNER & SHIFRIN, INC. ENGINEERS

PRE-STAGE I DETAILS II
F.A.P. ROUTE 328 - SECTION (10BR-3)B-1
WAYNE COUNTY
STATION 410+21.00
STRUCTURE NO. 096-2010