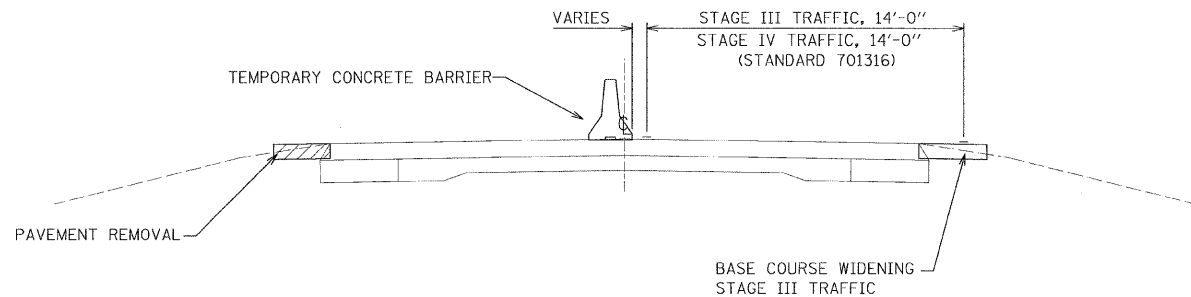
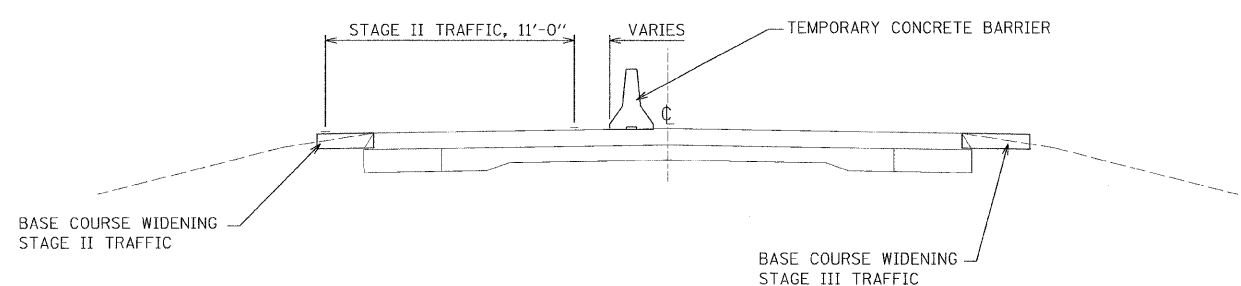


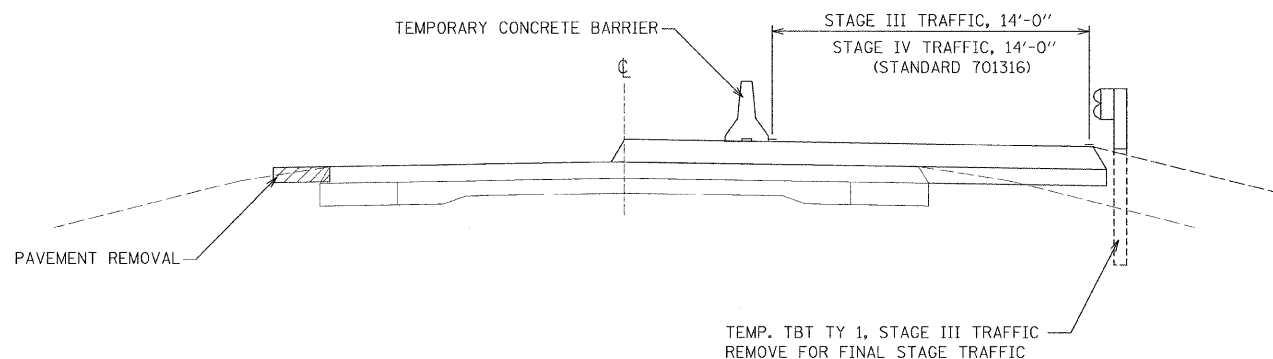
**SECTION A-A**



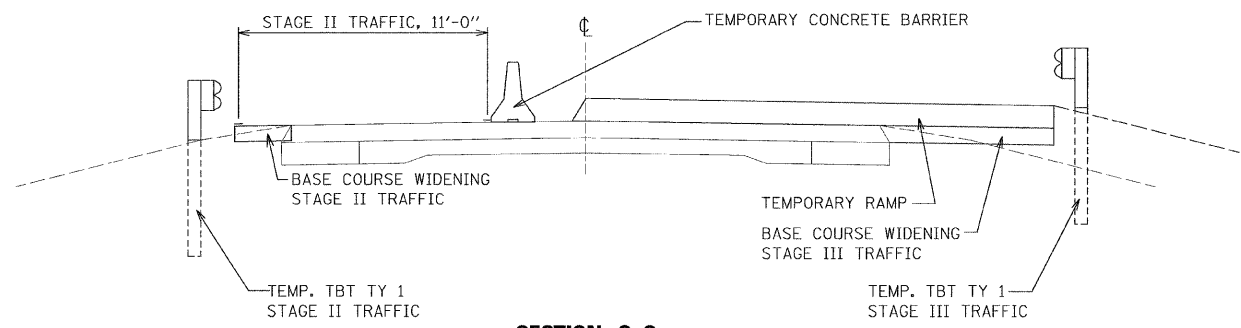
**SECTION D-D**



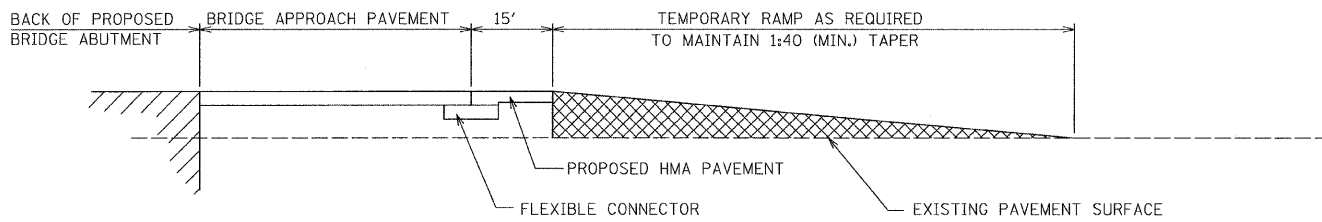
**SECTION B-B**



**SECTION E-E**



**SECTION C-C**



**TEMPORARY RAMP DETAIL**  
N.T.S.

**SUGGESTED SEQUENCE OF CONSTRUCTION**

- STAGE I CONSTRUCTION - BRIDGE REPAIR**
1. INSTALL TEMPORARY TRAFFIC CONTROL SIGNALS, TEMPORARY CONCRETE BARRIERS AND TEMPORARY IMPACT ATTENUATORS.
  2. MOVE ALL TRAFFIC TO NORTHBOUND LANE.
  3. REPAIR EXISTING BRIDGE STRUCTURE AS SHOWN ON THE PLANS.
  4. INSTALL BASE COURSE WIDENING FOR STAGE II TRAFFIC.
  5. REMOVE OUTERMOST 50' OF SPBGR FROM EACH END OF SOUTHBOUND LANE AND INSTALL TEMPORARY TRAFFIC BARRIER TERMINAL TYPE 1.
- STAGE II CONSTRUCTION**
1. RELOCATE TEMPORARY CONCRETE BARRIERS (AS REQUIRED AND ADD ADDITIONAL AS REQUIRED) AND IMPACT ATTENUATORS.
  2. MOVE ALL TRAFFIC TO SOUTHBOUND LANE.
  3. REMOVE PAVEMENT AND INSTALL TEMPORARY SHEETPILE.
  4. REMOVE EXISTING BRIDGE STRUCTURE AND CONSTRUCT NEW BRIDGE STRUCTURE.
  5. CONSTRUCT BRIDGE APPROACH PAVEMENT, FLEXIBLE CONNECTOR AND 9' OF PAVEMENT.
  6. CONSTRUCT BASE COURSE WIDENING AND TEMPORARY RAMP FOR STAGE III TRAFFIC.
  7. INSTALL TRAFFIC BARRIER TERMINAL TYPE 6 AND TEMPORARY TRAFFIC BARRIER TERMINAL TYPE 1 ON NORTHBOUND LANE.
- STAGE III CONSTRUCTION**
1. RELOCATE TEMPORARY CONCRETE BARRIERS (AS REQUIRED AND ADD ADDITIONAL AS REQUIRED) AND IMPACT ATTENUATORS.
  2. MOVE ALL TRAFFIC TO NORTHBOUND LANE.
  3. REMOVE PAVEMENT.
  4. REMOVE EXISTING BRIDGE STRUCTURE AND CONSTRUCT NEW BRIDGE STRUCTURE.
- STAGE IV CONSTRUCTION**
1. REINSTALL TEMPORARY TRAFFIC CONTROL SIGNALS (TRAFFIC TO REMAIN ON NORTHBOUND LANE)
  2. REMOVE TEMPORARY CONCRETE BARRIERS AND IMPACT ATTENUATORS.
  3. INSTALL TRAFFIC BARRIERS ACCORDING TO STANDARD 701316.
  3. CONSTRUCT PAVEMENT, SHOULDERS, GUARD RAIL, ETC TO COMPLETE SOUTHBOUND LANE.
- STAGE V CONSTRUCTION - FINAL STAGE**
1. MOVE ALL TRAFFIC TO SOUTHBOUND LANES
  2. INSTALL TRAFFIC BARRIERS ACCORDING TO STANDARD 701316.
  3. CONSTRUCT PAVEMENT, SHOULDERS, GUARD RAIL, PAVEMENT MARKINGS, ETC TO COMPLETE NORTHBOUND LANE.
  4. COMPLETE FINAL PAVEMENT MARKINGS AND OTHER IMPROVEMENTS TO COMPLETE THE WORK.
  5. OPEN ROADWAY TO TWO-WAY TRAFFIC.

FILE NAME = #FILEL#	USER NAME = #USER#	DESIGNED - WJS	REVISED -	<b>STATE OF ILLINOIS DEPARTMENT OF TRANSPORTATION</b>	<b>STAGE CONSTRUCTION - TYPICALS &amp; DETAILS</b>			F.A.P. RTE.	SECTION	COUNTY	TOTAL SHEETS	SHEET NO.
	PLOT SCALE = #SCALE#	DRAWN - WJS	REVISED -					328	(10BR-2)B-1	WAYNE	140	90
	PLOT DATE = #DATE#	CHECKED - AJD	REVISED -		SCALE: SHEET NO. OF SHEETS STA. TO STA.			FED. ROAD DIST. NO. ILLINOIS FED. AID PROJECT		CONTRACT NO. 74040		
		DATE - 10/24/07	REVISED -									