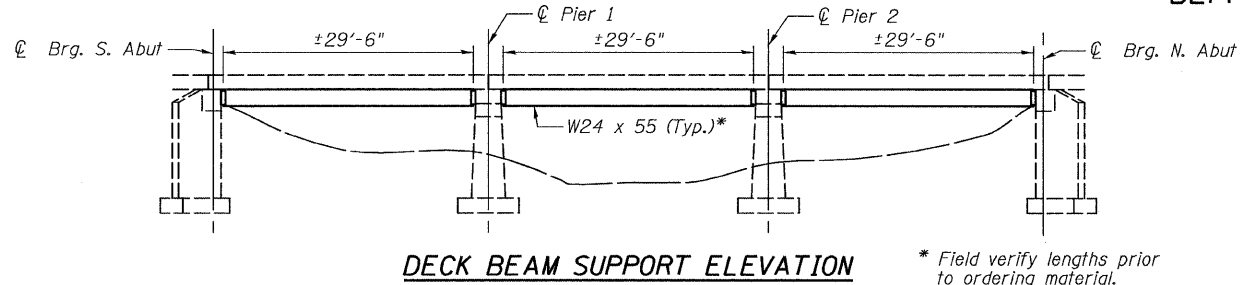


STATE OF ILLINOIS
DEPARTMENT OF TRANSPORTATION

ROUTE NO.	SECTION	COUNTY	TOTAL SHEETS	SHEET NO.
FAP 328	10BR-21B-1	WAYNE	103	21 SHEETS
FED. ROAD DIST. NO. 7	ILLINOIS	FED. AID PROJECT		

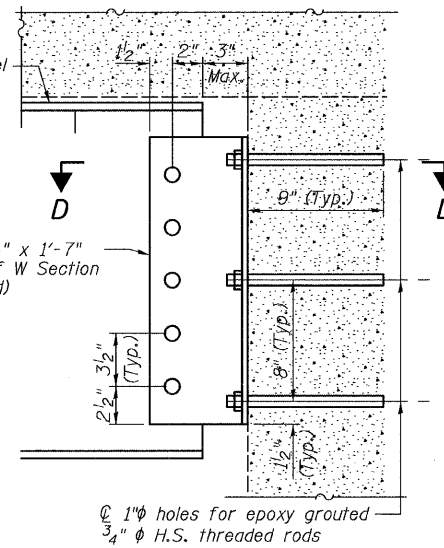
Contract # 74040



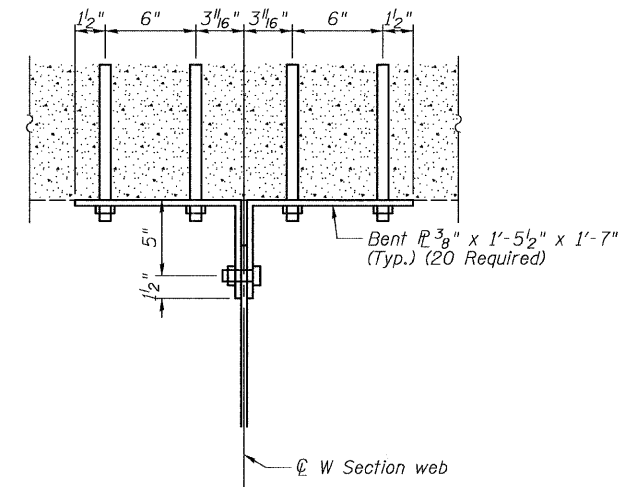
DECK BEAM SUPPORT ELEVATION

* Field verify lengths prior to ordering material. (S min. = 114)

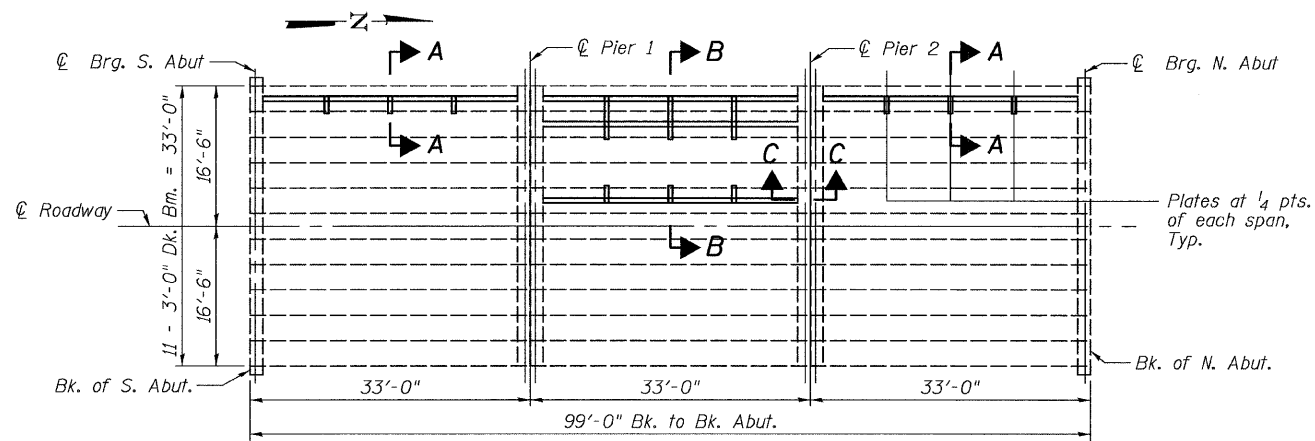
W Section placed parallel with concrete beam



SECTION C-C

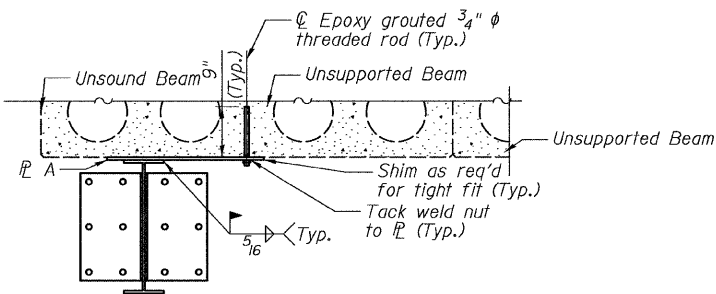


SECTION D-D

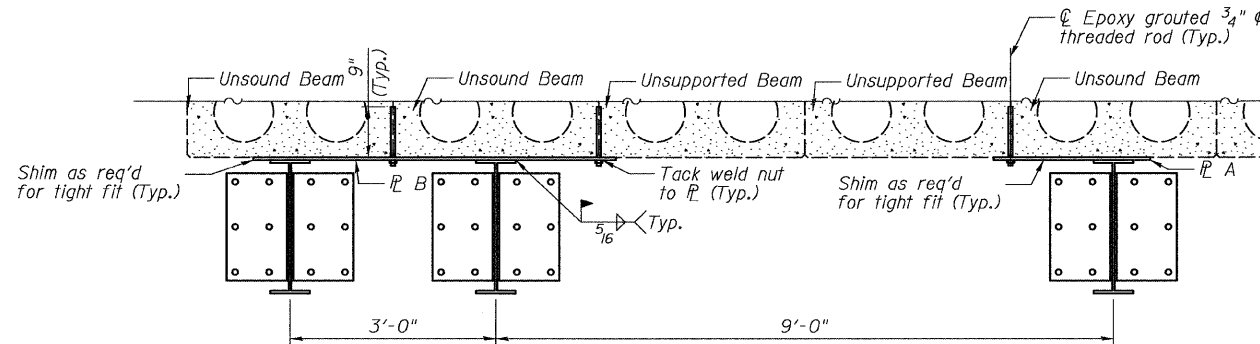


DECK BEAM SUPPORT PLAN

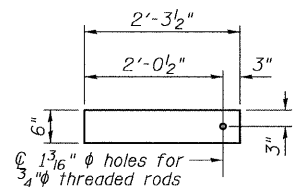
S.N. 096-0023



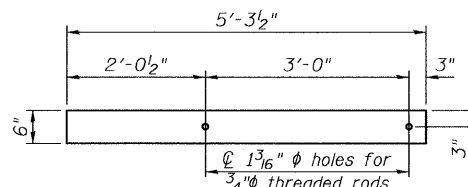
SECTION A-A



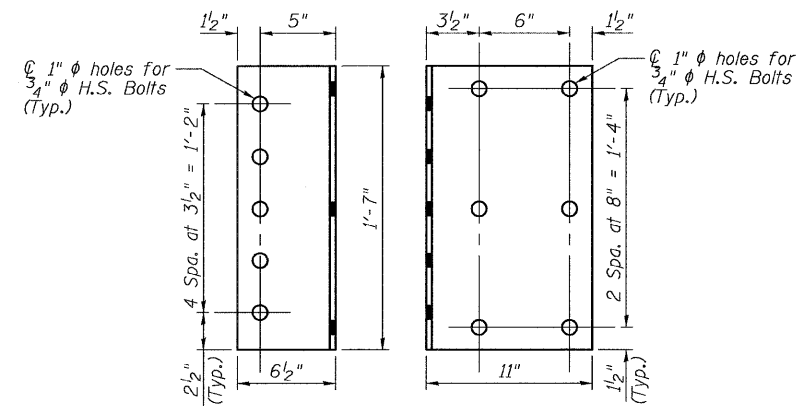
SECTION B-B



PL A
PL 1/2" x 2'-3 1/2" x 6" (9 Required)



PL B
PL 1/2" x 5'-3 1/2" x 6" (3 Required)



BENT PL
PL 3/8" x 1'-5 1/2" x 1'-7" (20 Required)

BILL OF MATERIAL

Item	Unit	Quantity
Temporary Support System	Each	1

All Structural Steel shall conform to AASHTO Classification M-270 Gr. 36 unless otherwise noted.
Structural Steel to be used as temporary supports may have been previously used, provided they are in good condition and satisfactory to the Engineer. All high strength bolts, anchor bolts, threaded rods, nuts, and washers shall be new.
See Section 584 of the Standard Specifications for Epoxy Grouting of Threaded Rods.
The cost of epoxy grouting threaded rods shall be included with Temporary Support System.
Drilled holes shall miss existing reinforcement.

DESIGNED	MBH
CHECKED	NRF
DRAWN	MBH
CHECKED	NRF

DECK BEAM SUPPORT
US 45 / DEER CREEK
F.A.P. RT. 328
WAYNE COUNTY
SN. 096-0068