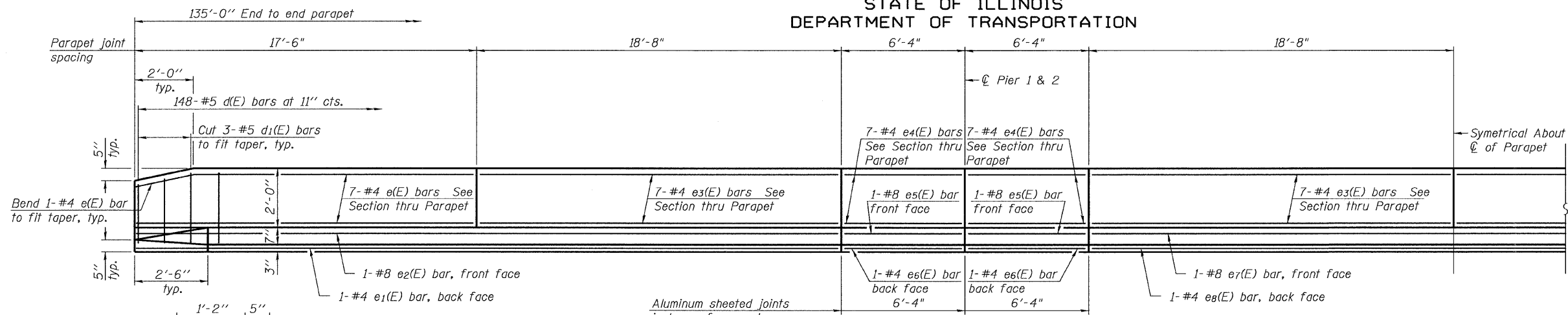


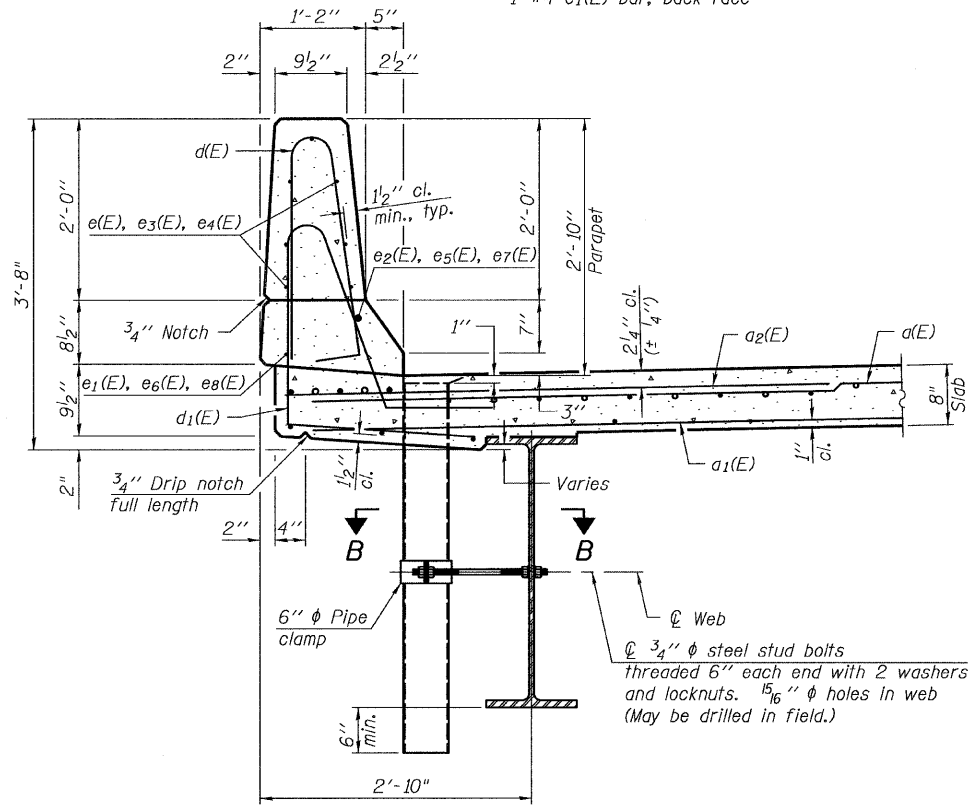
STATE OF ILLINOIS
DEPARTMENT OF TRANSPORTATION

ROUTE NO. FAP 328	SECTION (10BR- 2)B-1	COUNTY WAYNE	TOTAL SHEETS 110	SHEET NO. 11
FED. ROAD DIST. NO. 7		ILLINOIS	FED. AID PROJECT	

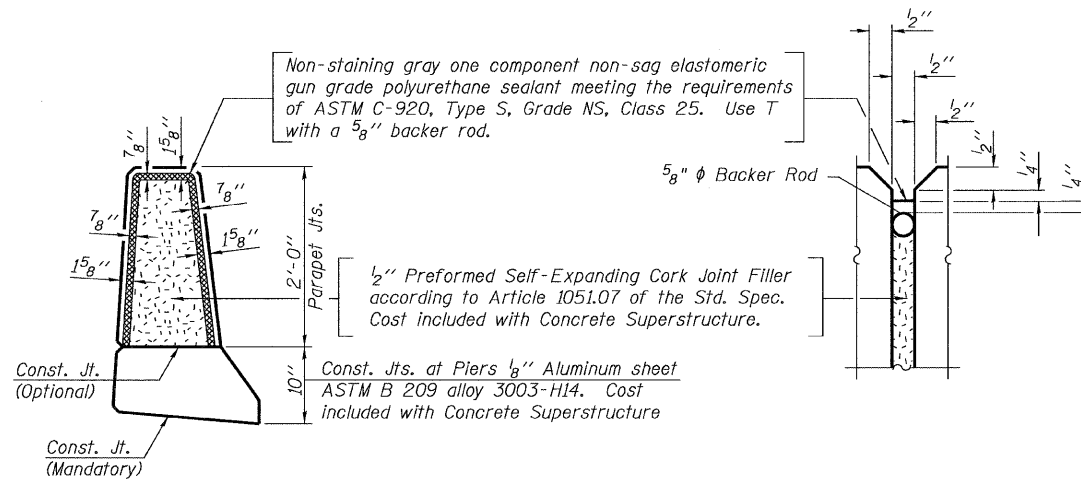
Contract # 74040



INSIDE ELEVATION OF PARAPET



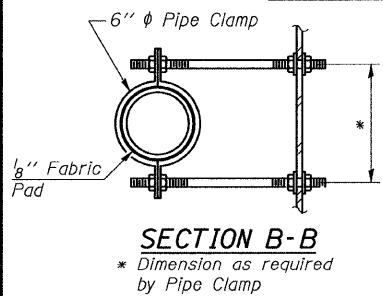
SECTION THRU PARAPET



PARAPET JOINT DETAILS

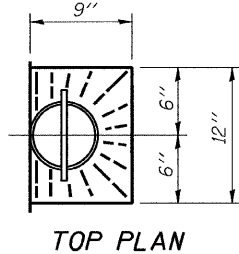
Notes:

The exterior surfaces of the floor drains shall be painted with the finish coat as specified in the special provisions for Cleaning and Painting New Metal Structures. The exterior surfaces of the drains shall be cleaned according to Steel Structures Painting Council's Spec. SSPC-SP1 prior to painting. Fiberglass pipe shall conform to ASTM D 2996, with short-time rupture strength hoop tensile stress of 30,000 p.s.i. minimum.

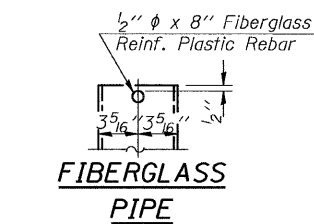


SECTION B-B

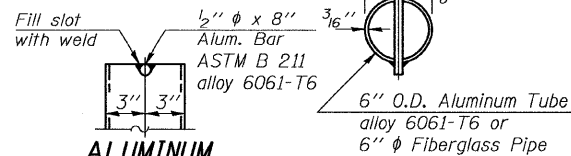
* Dimension as required by Pipe Clamp



TOP PLAN

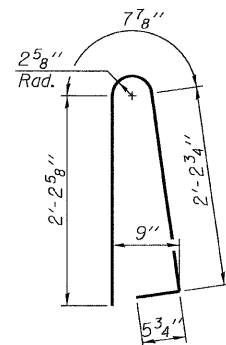


FIBERGLASS PIPE

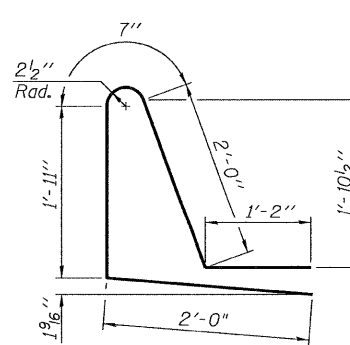


ALUMINUM TUBE

TOP PLAN (Showing Aluminum Tube)



BAR d(E)



BAR d1(E)

SUPERSTRUCTURE
BILL OF MATERIAL

Bar	No.	Size	Length	Shape
a(E)	464	#5	21'-3"	—
a1(E)	362	#5	21'-3"	—
a2(E)	234	#6	6'-0"	—
b(E)	184	#5	35'-8"	—
b1(E)	88	#6	28'-0"	—
b2(E)	168	#5	35'-8"	—
d(E)	148	#5	5'-7"	⌋
d1(E)	148	#5	7'-8"	⌋
e(E)	28	#4	17'-2"	—
e1(E)	4	#4	35'-10"	—
e2(E)	4	#8	35'-10"	—
e3(E)	56	#4	18'-4"	—
e4(E)	56	#4	6'-0"	—
e5(E)	8	#8	6'-0"	—
e6(E)	8	#4	6'-0"	—
e7(E)	2	#8	37'-0"	—
e8(E)	2	#4	37'-0"	—
m(E)	8	#6	20'-6"	—
m1(E)	12	#6	21'-5"	—
m2(E)	24	#6	9'-0"	—
m3(E)	8	#6	6'-5"	—
m4(E)	4	#6	2'-2"	—
m5(E)	4	#6	3'-2"	—
s(E)	82	#5	5'-7"	⌋
s1(E)	82	#4	8'-6"	⌋
v(E)	84	#5	3'-8"	⌋
Reinforcement Bars, Epoxy Coated		Pound		44150
Concrete Superstructure		Cu. Yds.		210
Floor Drains		Each		18

Bars indicated thus 1 x 3 - #5 etc. indicates 1 line of bars with 3 lengths per line.

SUPERSTRUCTURE DETAILS
US 45 / DEER CREEK
F.A.P. RT. 328
WAYNE COUNTY
SN. 096-0068

DESIGNED	MBH
CHECKED	NRF
DRAWN	JLL
CHECKED	NRF

S-I-D

11-1-06