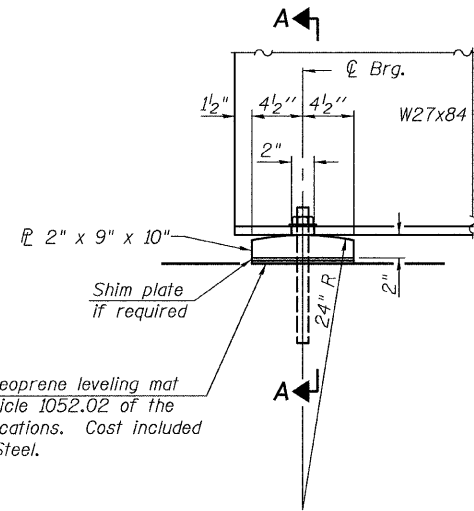


STATE OF ILLINOIS
DEPARTMENT OF TRANSPORTATION

ROUTE NO. FAP 328	SECTION (UOBR- 2)B-1	COUNTY WAYNE	TOTAL SHEETS 114	SHEET NO. 15
FED. ROAD DIST. NO. 7		ILLINOIS FED. AID PROJECT		

SHEET NO. 15
21 SHEETS

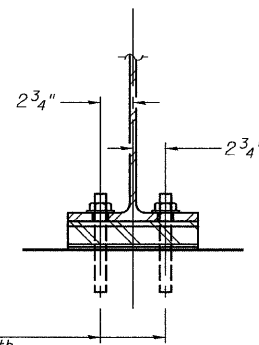
Contract # 74040



ELEVATION AT ABUTMENT

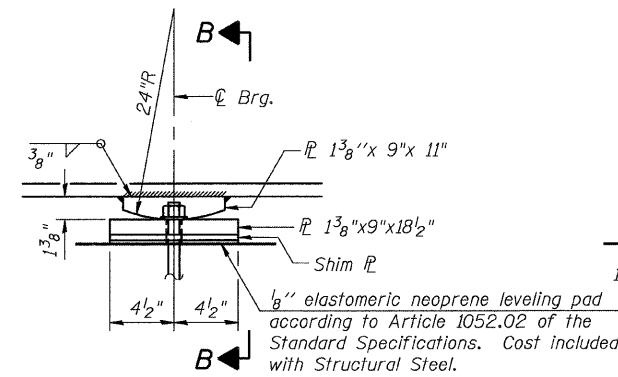
1/8" elastomeric neoprene leveling mat according to Article 1052.02 of the Standard Specifications. Cost included with Structural Steel.

1" ϕ x 12" Anchor Bolts (ASTM F1554 Grade 36) with 2 1/4" x 2 1/4" x 5/16" PL washer under nut. 1 3/8" x 2" slotted hole in flange. 1 1/2" ϕ holes in bearing plate.



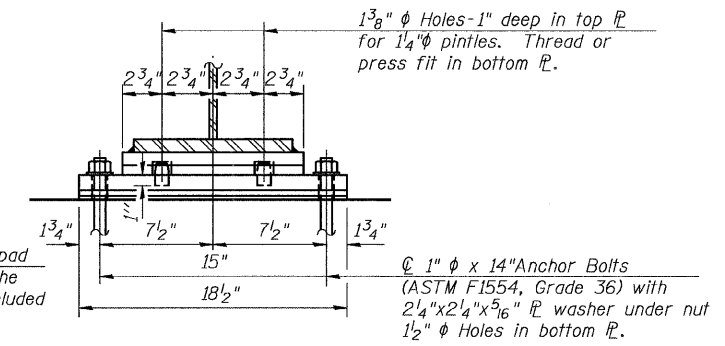
SECTION A-A

FIXED BEARING



ELEVATION AT PIER

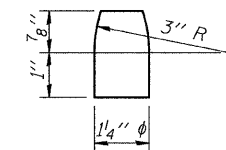
FIXED BEARING



SECTION B-B

1 3/8" ϕ Holes-1" deep in top PL for 1 1/4" ϕ pintles. Thread or press fit in bottom PL.

1" ϕ x 14" Anchor Bolts (ASTM F1554, Grade 36) with 2 1/4" x 2 1/4" x 5/16" PL washer under nut. 1 1/2" ϕ Holes in bottom PL.



PINTLE

Notes:

- Anchor bolts shall be ASTM F1554 all-thread (or an Engineer-approved alternate material) of the grade(s) and diameter(s) specified. ASTM A307 Grade C anchor bolts may be used in lieu of ASTM F1554 Grade 36 (Fy=36ksi). The corresponding specified grade of AASHTO M314 anchor bolts may be used in lieu of ASTM F1554.
- Anchor bolts at fixed bearings may be either cast in place or installed in holes drilled after the supported member is in place.
- Drilled and set anchor bolts shall be installed according to Article 521.06 of the Standard Specifications.
- Two 1/8 in. adjusting shims shall be provided for each bearing in addition to all other plates or shims and placed as shown on bearing details.
- The structural steel plates of the bearing assembly shall conform to the requirements of AASHTO M70, Grade 50.

BILL OF MATERIAL

Item	Unit	Total
Anchor Bolts, 1"	Each	48

BENTON & ASSOCIATES, INC.

DESIGNED	MBH
CHECKED	NRF
DRAWN	MBH
CHECKED	NRF

I-2-E1

11-1-06

BEARINGS
US 45 / DEER CREEK
F.A.P. RT. 328
WAYNE COUNTY
SN. 096-0068