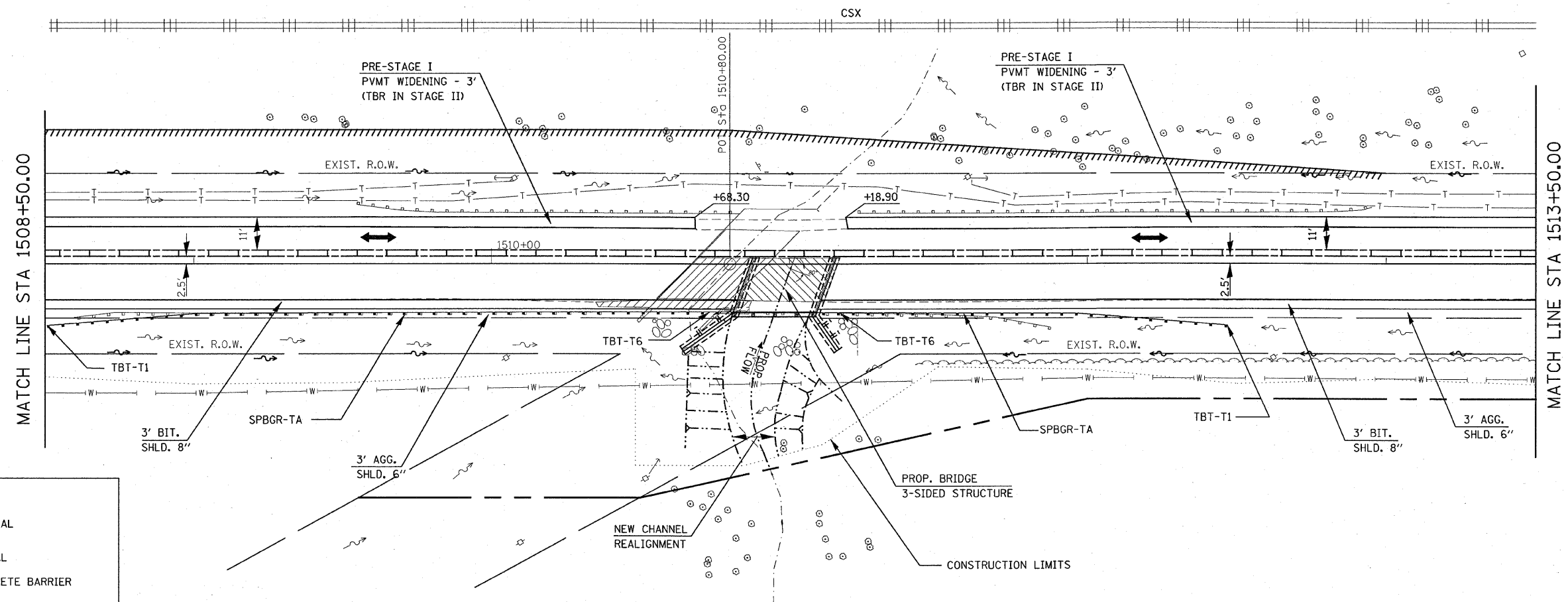


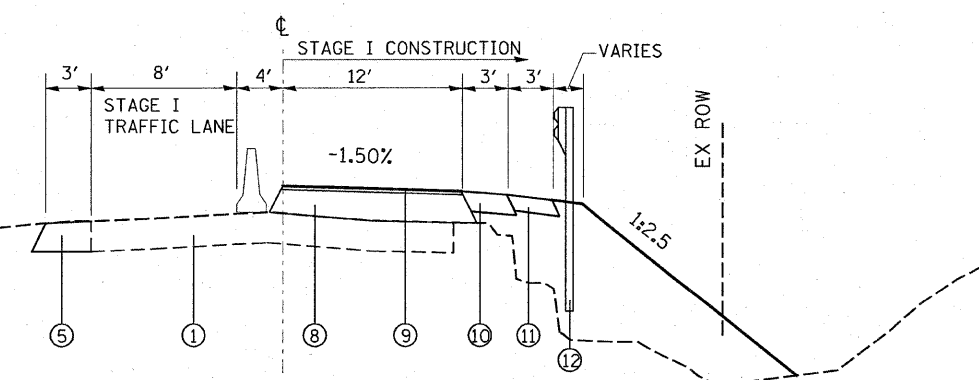
F.A.S. RTE.	SECTION	COUNTY	TOTAL SHEETS	SHEET NO.
1832	5BR-2	WASHINGTON	97	60
STA. _____		TO STA. _____		
FED. ROAD DIST. NO. _____		ILLINOIS FED. AID PROJECT		



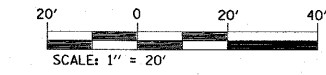
LEGEND:

- STRUCTURE REMOVAL
- PAVEMENT REMOVAL
- TEMPORARY CONCRETE BARRIER
- IMPACT ATTENUATOR
- INDUCTION LOOP DETECTOR
- DRUM WITH STEADY BURNING LIGHT
- SIGNALIZED TWO-WAY TRAFFIC LANE
- TEMPORARY BRIDGE TRAFFIC SIGNAL
- TYPE III BARRICADE

- LEGEND**
- ① EXISTING PAVEMENT
 - ⑤ PROPOSED HOT-MIX ASPHALT BASE COURSE WIDENING 9"
 - ⑧ PROPOSED HOT-MIX ASPHALT BINDER COURSE (VARIES 0.75" TO 15")
 - ⑨ PROPOSED HOT-MIX ASPHALT SURFACE COURSE 1 1/2 "
 - ⑩ PROPOSED HOT-MIX ASPHALT SHOULDERS, 8"
 - ⑪ PROPOSED AGGREGATE SHOULDER 6"
 - ⑫ PROPOSED GUARDRAIL



STAGE I TYPICAL SECTION
 STA. 1508+50.0 TO STA. 1513+50.0
 (NTS)



REVISIONS	
NAME	DATE

SN 095-0078

ILLINOIS DEPARTMENT OF TRANSPORTATION

SUGGESTED STAGE I CONSTRUCTION

FAS ROUTE 1832
 SECTION 5BR-2
 WASHINGTON COUNTY

SCALE: VERT. _____
 HORIZ. _____

DATE _____ DRAWN BY _____
 CHECKED BY _____

PLOT DATE = 12/7/2007
 FILE NAME = c:\projects\adg\1832\plan\stage01.dgn
 PLOT SCALE = 20.000000 / IN.
 USER NAME = gmlm