

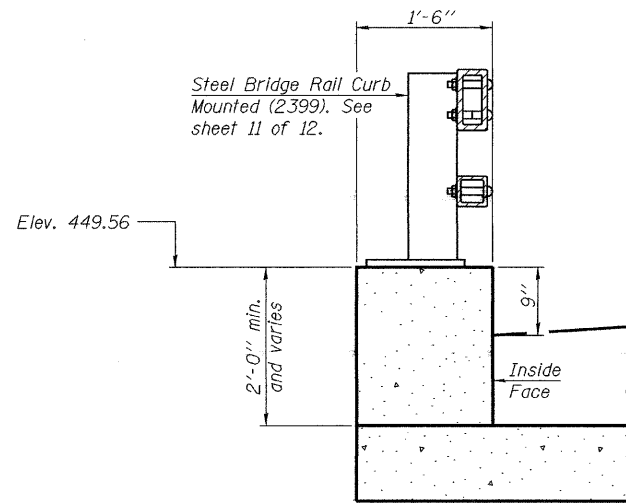
STATE OF ILLINOIS  
DEPARTMENT OF TRANSPORTATION

ROUTE NO.	SECTION	COUNTY	DISTRICT	SHEET NO.
F.A.S. 1832	5BR-2	WASHINGTON	97	79
FED. ROAD DIST. NO. 7	ILLINOIS	FED. AID PROJECT		

SHEET NO. 9

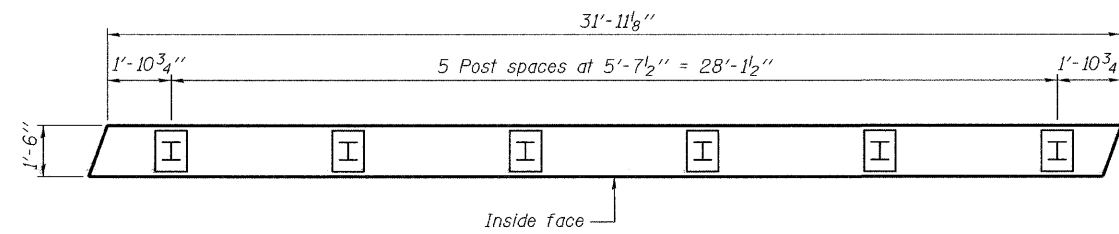
12 SHEETS

Contract #76949

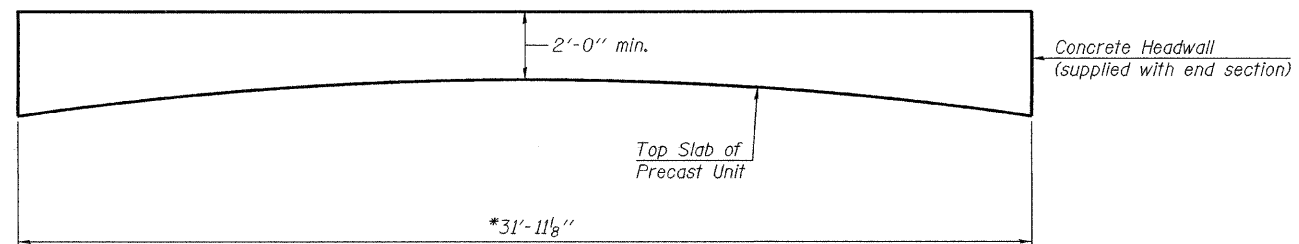


Note: Headwall to be designed by precast provider.  
Concrete Sealer shall be applied to top and inside exposed face of Precast Headwall.  
Headwall shall be designed per AASHTO Art. 2.7 of Standard Specifications.

SECTION THRU HEADWALL



PLAN OF HEADWALL POST LAYOUT



PRECAST HEADWALL ELEVATION

\*Dimension measured along inside face of headwall

DESIGNED	Nicholas R. Barnett
CHECKED	Roy Ahanchi
DRAWN	Gregory D. Farmer
CHECKED	NRB/GRA

January 28 2008  
EXAMINED *Thomas J. Demagala*  
PASSED *Ralph E. Anderson*  
ENGINEER OF BRIDGES AND STRUCTURES

HEADWALL DETAILS  
F.A.S. 1832 - SEC. 5BR-2  
WASHINGTON COUNTY  
STATION 1511+01.00  
STRUCTURE NO. 095-0078