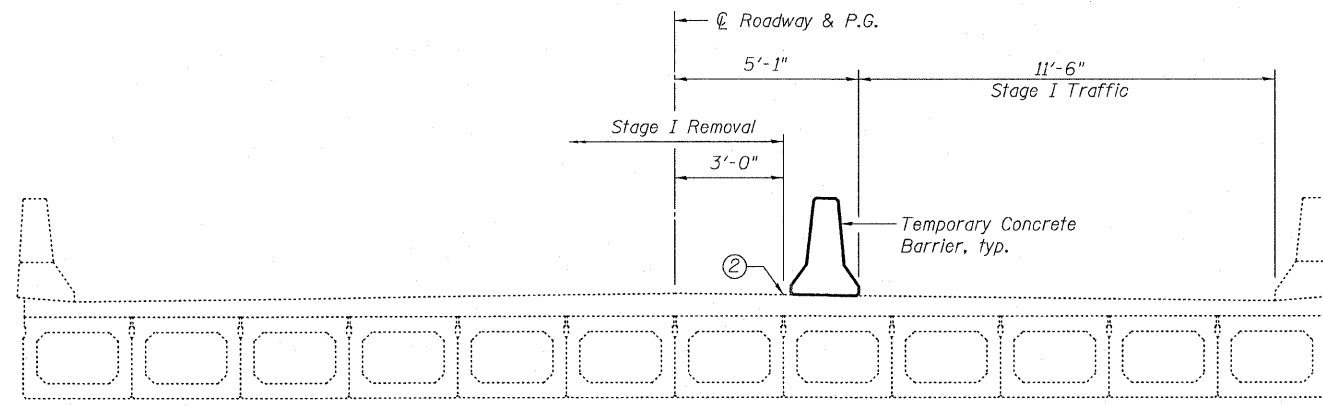


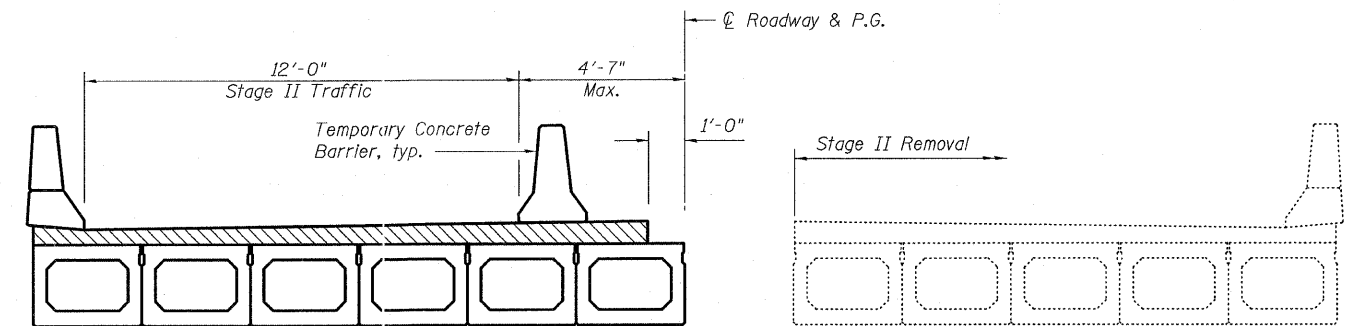
STATE OF ILLINOIS  
DEPARTMENT OF TRANSPORTATION

ROUTE NO.	SECTION	COUNTY	TOTAL SHEETS	SHEET NO.	SHEET NO. 3
FAP 310	57BR-1	JERSEY	25	12	14 SHEETS
FED. ROAD DIST. NO. 7	ILLINOIS	FED. AID PROJECT-			

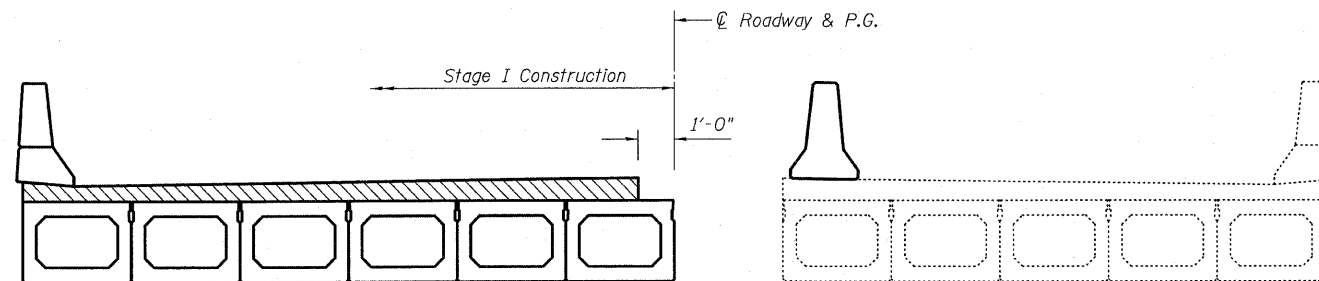
Contract #76B20



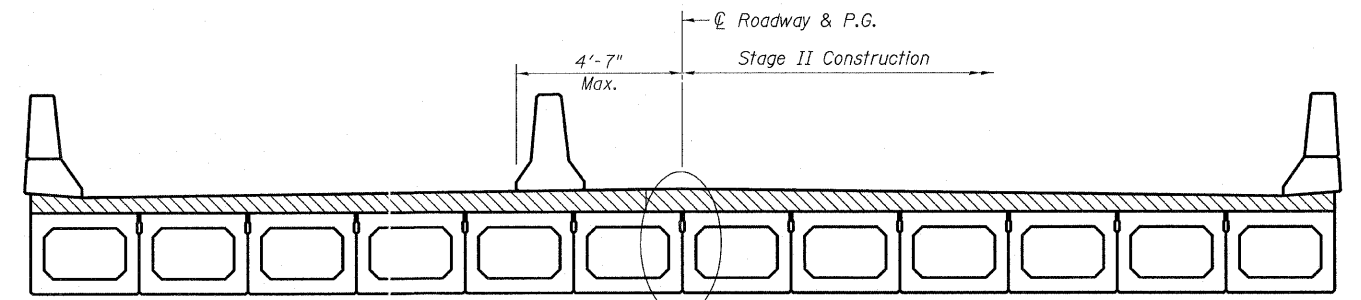
**STAGE I REMOVAL**



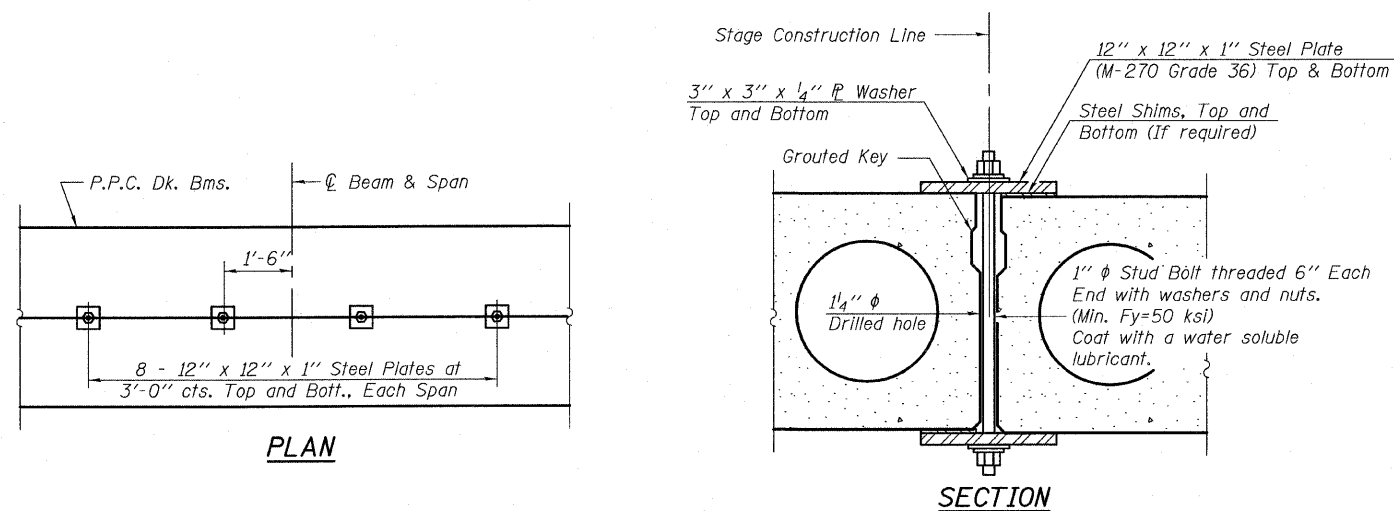
**STAGE II REMOVAL**



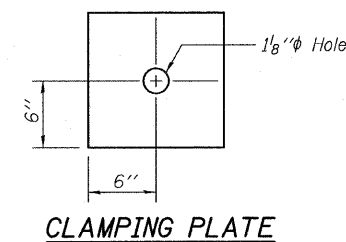
**STAGE I CONSTRUCTION**



**STAGE II CONSTRUCTION**



**SHEAR KEY CLAMPING DETAILS AT STAGE CONST. JT.**



**CLAMPING PLATE**

Notes:

- ① All views Looking South.
- ② Existing concrete deck shall be saw cut at stage construction line prior to Stage I removal. Cost included with Removal of Existing Superstructures.
- ③ For quantity of Temporary Concrete Barrier and related traffic control, see roadway plans.
- ④ For details of Temporary Concrete Barrier, see sheet 4 of 14.

**STAGE CONSTRUCTION DETAILS  
US ROUTE 67 OVER  
DEARCY CREEK  
FAP ROUTE 310 SECTION 57BR-1  
JERSEY COUNTY  
STATION 651+79.77  
STRUCTURE NO. 042-0001**