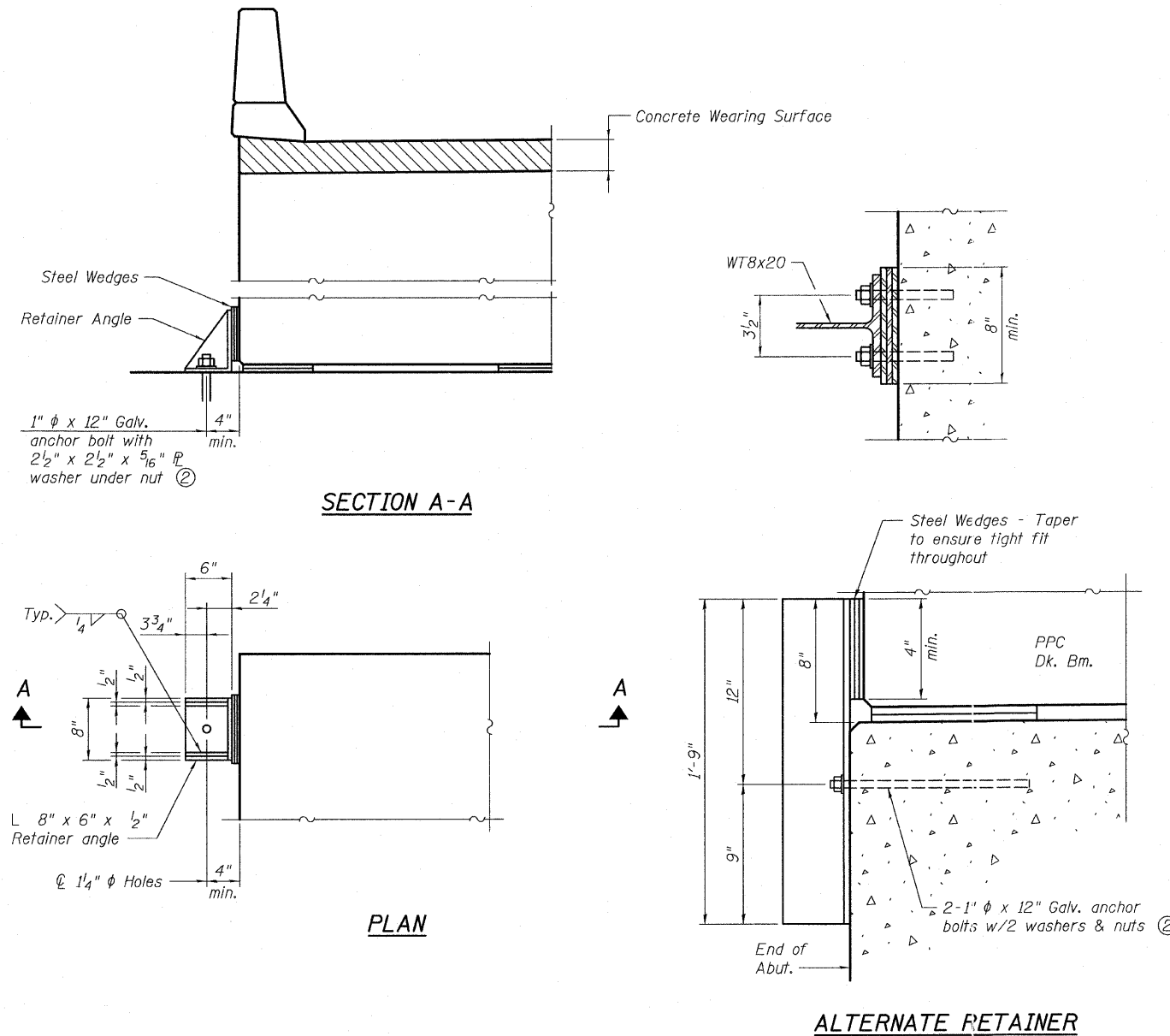


STATE OF ILLINOIS
DEPARTMENT OF TRANSPORTATION

ROUTE NO.	SECTION	COUNTY	TOTAL SHEETS	SHEET NO.	SHEET NO. 10
FAP 310	57BR-1	JERSEY	25	19	14 SHEETS
FED. ROAD DIST. NO. 7	ILLINOIS	FED. AID PROJECT-			

Contract #76B20



SECTION A-A

PLAN

ALTERNATE RETAINER

RETAINER ASSEMBLY AT EXPANSION JOINT

Notes:

- ① Retainer angles are to be used at the expansion ends of deck beams only. Retainer angles shall be removed after the concrete wearing surface is poured and cured. Anchor bolts may be left in place.
- ② Approved threaded rod shall be placed in drilled holes and grouted in place. Cost of retainer and accessories are included with Precast Prestressed Concrete Deck Beams (27" Depth).

SUPERSTRUCTURE DETAILS
US ROUTE 67 OVER
DEARCY CREEK
FAP ROUTE 310 SECTION 57BR-1
JERSEY COUNTY
STATION 651+79.77
STRUCTURE NO. 042-0001