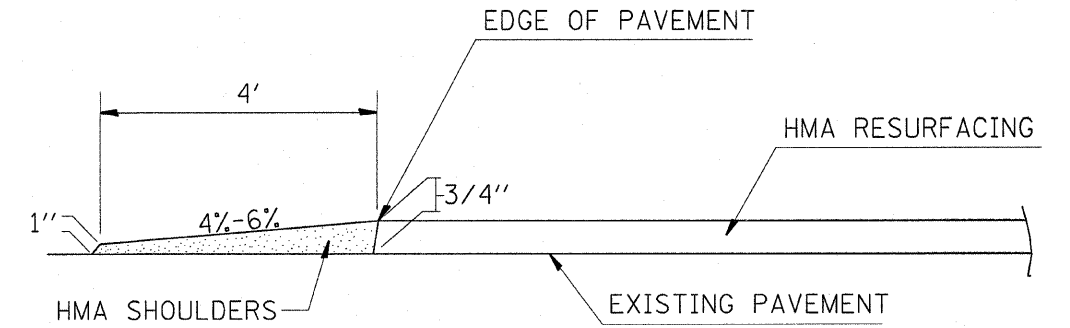
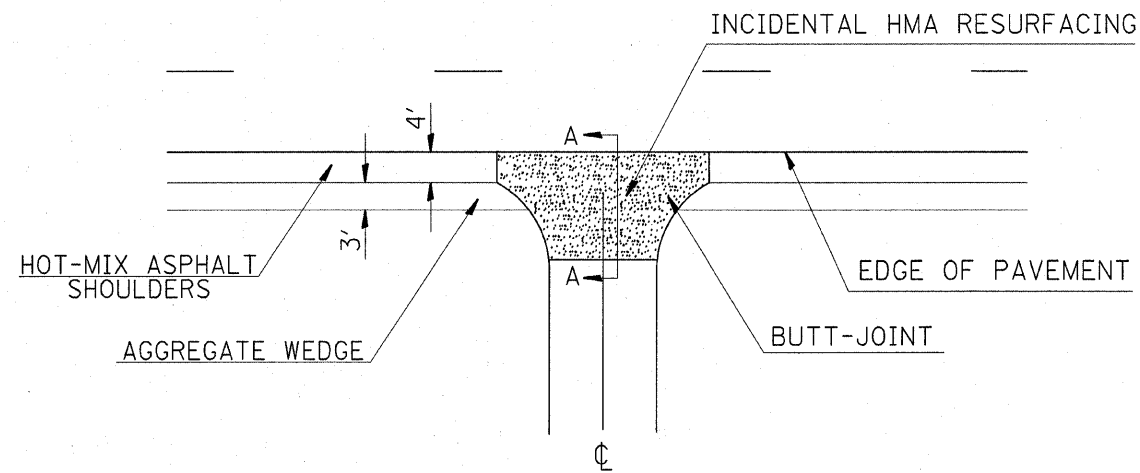


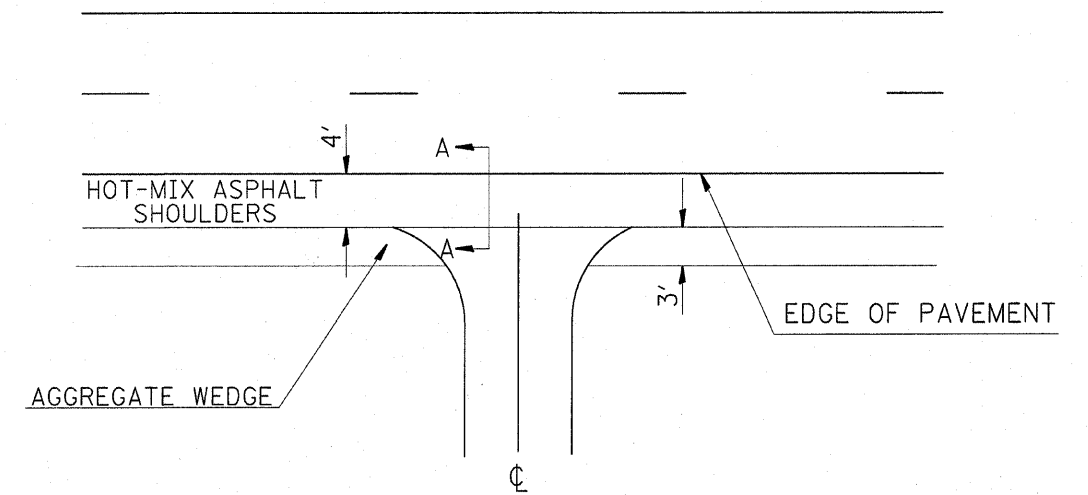
BUTT-JOINT
SECTION A-A



FEATHEREDGE DETAIL
SECTION A-A



SIDE ROAD
ENTRANCE DETAIL



COMMERCIAL & PRIVATE
ENTRANCE DETAIL

FILE NAME = *FILEL*	USER NAME = *USER*	DESIGNED - ---	REVISED - ---	STATE OF ILLINOIS DEPARTMENT OF TRANSPORTATION	BUTT JOINT/SIDERoadS AND ENTRANCE/FEATHEREDGE DETAILS	F.A.P. RTE. 805	SECTION (101,102,61-1-1)RS	COUNTY MARION	TOTAL SHEETS 81	SHEET NO. 57		
	PLOT SCALE = *SCALE*	DRAWN - ---	REVISED - ---			SCALE: _____	SHEET NO. ___ OF ___ SHEETS	STA. _____ TO STA. _____	FED. ROAD DIST. NO. - ILLINOIS FED. AID PROJECT			
	PLOT DATE = *DATE*	CHECKED - ---	REVISED - ---			CONTRACT NO. 76633						
		DATE - -----	REVISED - ---									