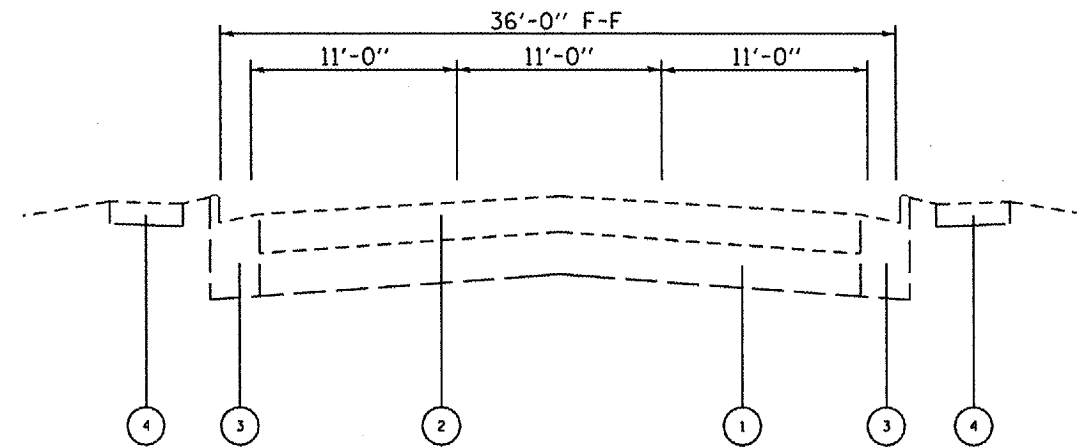
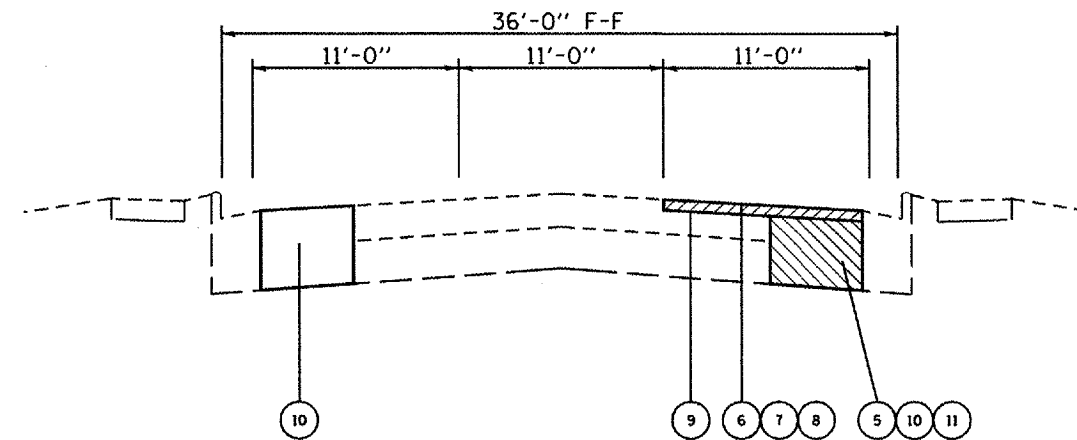


LEGEND

- ① EXISTING PCC PAVEMENT 7"
- ② EXISTING HMA RESURFACING 3 1/2"
- ③ EXISTING CCC&G, TYPE B-6.18
- ④ EXISTING SIDEWALK
- ⑤ PROPOSED PCC BASE COURSE WIDENING 10 1/2"
- ⑥ PROPOSED HMA SURFACE REMOVAL, 2"
- ⑦ PROPOSED AGGREGATE (PRIME COAT)
- ⑧ PROPOSED BITUMINOUS MATERIALS (PRIME COAT)
- ⑨ PROPOSED HMA SURFACE COURSE MIX "D" N90
- ⑩ PROPOSED CLASS "C" PATCH 10 1/2"
- ⑪ PROPOSED CLASS "D" PATCH 14"



EXISTING TYPICAL SECTION
 STA. 366+23 TO STA. 386+21
 STA. 399+97 TO STA. 400+41



PROPOSED TYPICAL SECTION
 STA. 366+23 TO STA. 386+21
 STA. 399+97 TO STA. 400+41

NOTE: RESURFACING STA. 366+23 TO STA. 386+21

FILE NAME = c:\projects\ed02808\plan\pln02808a.dgn	USER NAME = elfordb	DESIGNED -	REVISED -	STATE OF ILLINOIS DEPARTMENT OF TRANSPORTATION	TYPICAL SECTIONS	F.A.P. RTE. 103	SECTION 271-3	COUNTY ST. CLAIR	TOTAL SHEETS 13	SHEET NO. 5
PLOT SCALE = 1/8" = 1' / IN.	CHECKED -	REVISIED -	REVISIED -	SCALE:	SHEET NO. OF SHEETS	STA.	TO STA.	CONTRACT NO. 76856		
PLOT DATE = 12/3/2007	DATE -	REVISIED -	REVISIED -	FED. ROAD DIST. NO. ILLINOIS FED. AID PROJECT						