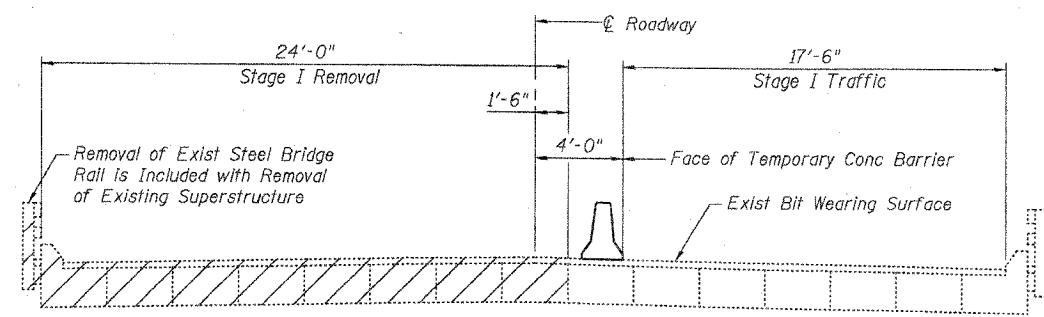
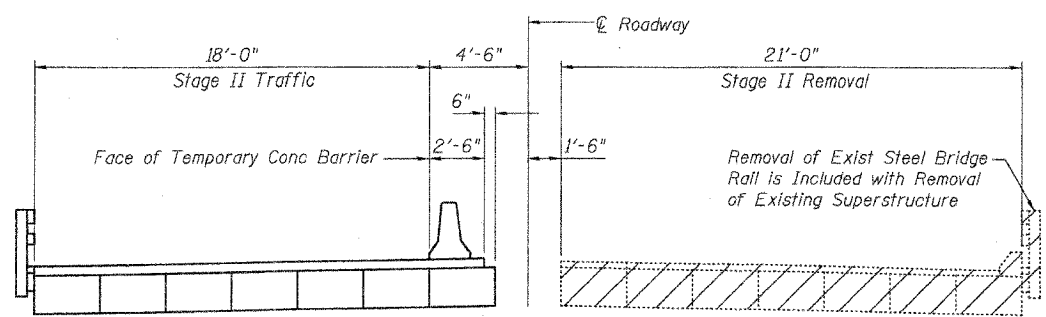


ROUTE NO.	SECTION	COUNTY	SHEET NO.	SHEET	SHEET NO. 2
FAP 885	104BR-1	UNION	37	13	13 SHEETS
FED. ROAD DIST. NO. 7 ILLINOIS FED. AID PROJECT -					

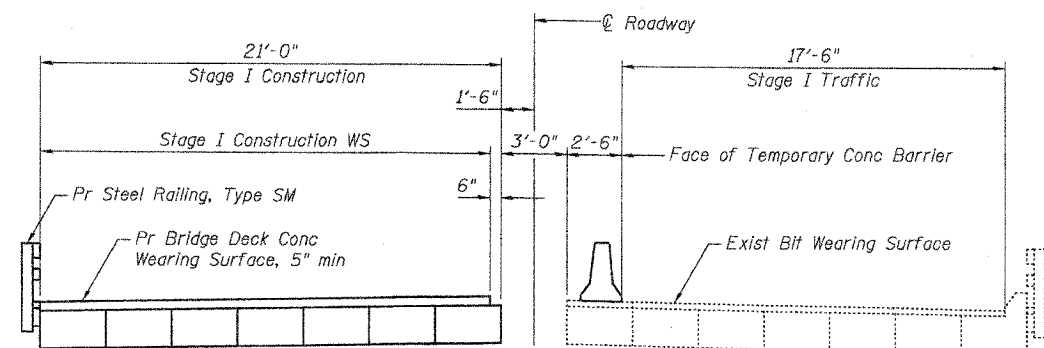
Contract # 78025



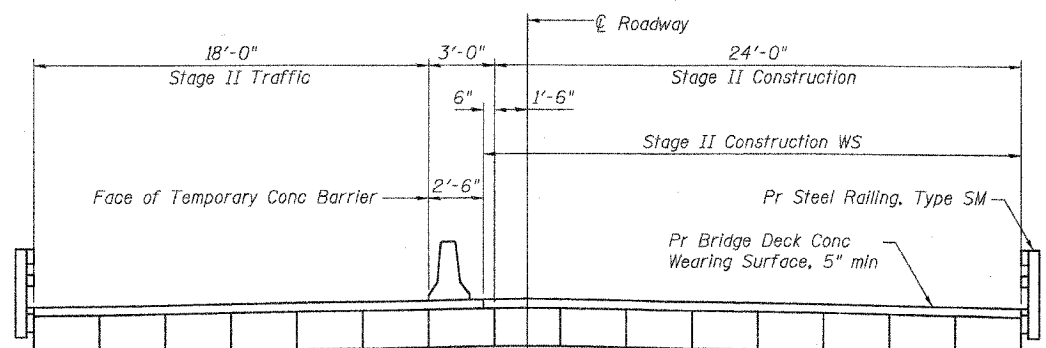
STAGE I REMOVAL
(Looking West)



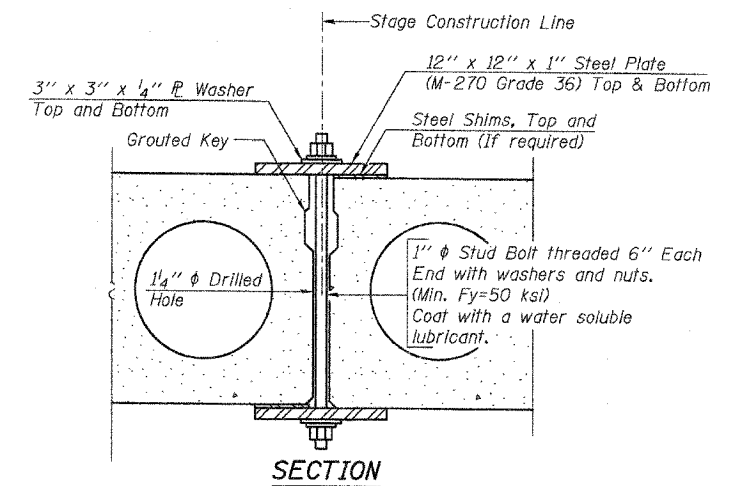
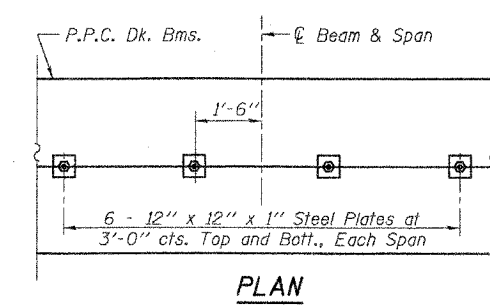
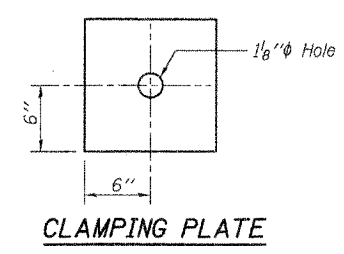
STAGE II REMOVAL
(Looking West)



STAGE I CONSTRUCTION
(Looking West)

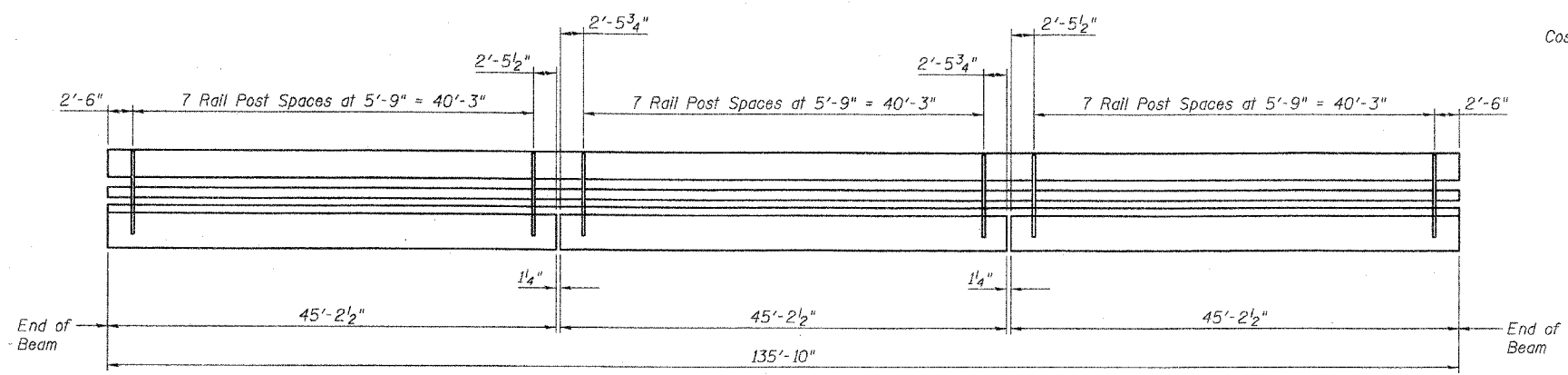


STAGE II CONSTRUCTION
(Looking West)



SHEAR KEY CLAMPING DETAILS AT STAGE CONST. JT.
Cost of clamping device included in the cost of Precast Prestressed Concrete Deck Beams.

Notes:
Hatched areas indicate Removal of Existing Superstructures.
See Roadway plans for quantity of Temporary Concrete Barrier.



FILE NAME = ..R02-stage-const-structn.dgn
PLOT SCALE = 460,0000 1/4" / 1" IN.
USER NAME = CFC.

ILLINOIS DEPARTMENT OF TRANSPORTATION			
SHEET TITLE			
STAGED CONSTRUCTION			
PROJECT	IL ROUTE 146 OVER DUTCH CREEK	PROJECT NO.	06056-5
	FAP ROUTE 885 SECTION 104BR-1	SCALE	
	UNION COUNTY	DATE	11/26/07
	STATION 268+27.00	DRAWN BY	TFG
	STRUCTURE NUMBER 091-0059	CHECKED BY	BD/MCB
COOMBE-BLOXDORF P.C.			2
Engineers / Land Surveyors			
Springfield, Illinois			
Design Firm License No. 184-002703			OF 13 SHTS