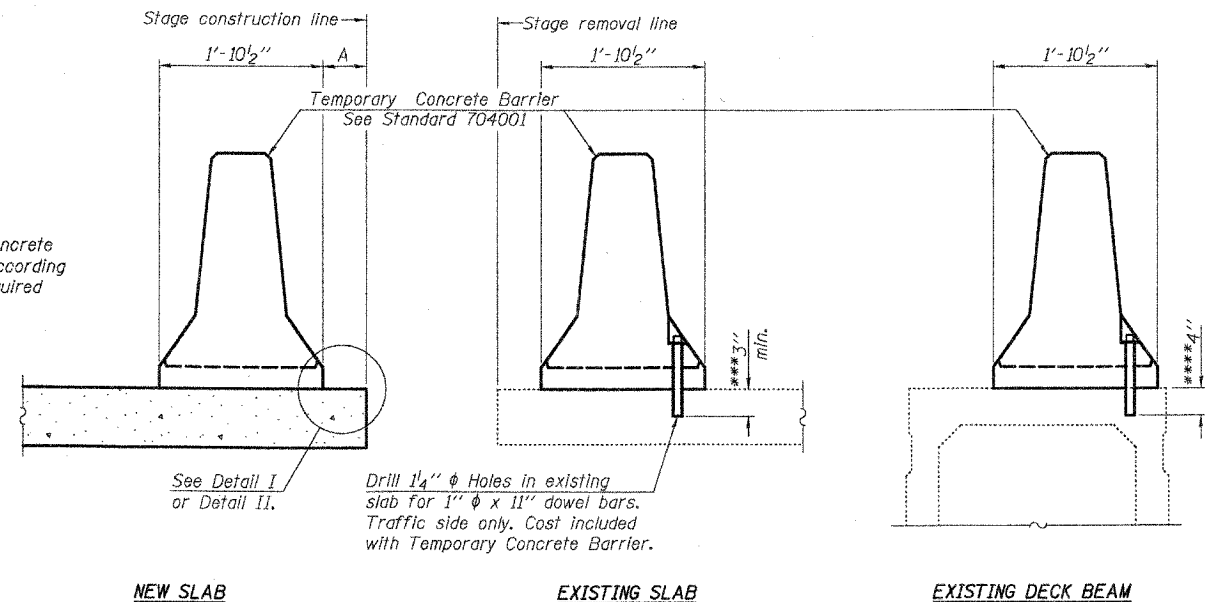


ROUTE NO.	SECTION	COUNTY	TOTAL SHEETS	SHEET NO.
FAP 885	104BR-1	UNION	37	14
FED. ROAD DIST. NO. 7		ILLINOIS	FED. AID PROJECT-	

Contract # 78025

SHEET NO. 3
13 SHEETS

When "A" is 3'-6" or less, the temporary concrete barrier shall be anchored to the new slab according to Detail I or Detail II. No anchorage is required when "A" is greater than 3'-6".



NEW SLAB

EXISTING SLAB

EXISTING DECK BEAM

SECTIONS THRU SLAB OR DECK BEAM

NOTES

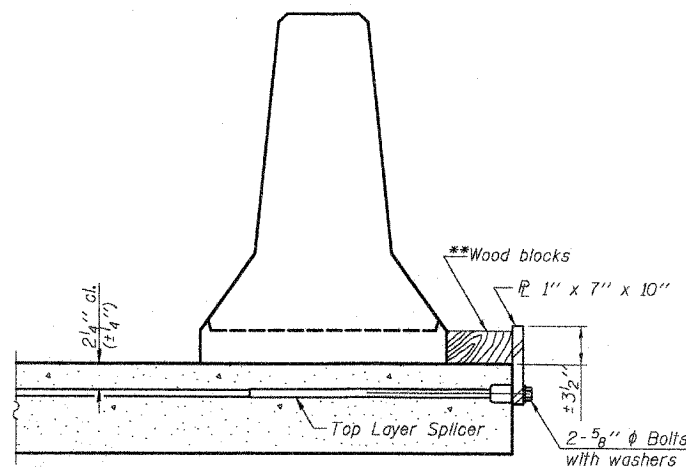
Detail I - With Bar Splicer or Couplers:
Connect one (1) 1"x7"x10" steel \bar{P} to the top layer of couplers with 2-5/8" ϕ bolts screwed to coupler at approximate \bar{C} of each barrier panel.

Detail II - With Extended Reinforcement Bars:
Connect one (1) 1"x7"x10" steel \bar{P} to the concrete slab or concrete wearing surface with 2-5/8" ϕ Expansion Anchors or cast in place inserts spaced between the top layer of reinforcement at approximate \bar{C} of each barrier panel.

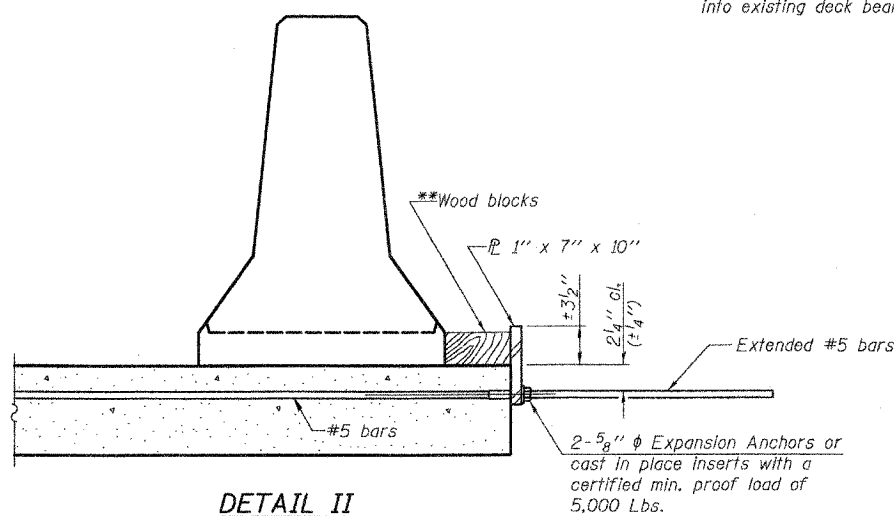
Cost of anchorage is included with Temporary Concrete Barrier. The 1" x 7" x 10" plate shall not be removed until stage II construction forms and all reinforcement bars are in place and the concrete is ready to be placed.

***Dimension shown is minimum required embedment into concrete. If hot-mix asphalt wearing surface is present, minimum embedment shall be in addition to wearing surface depth.

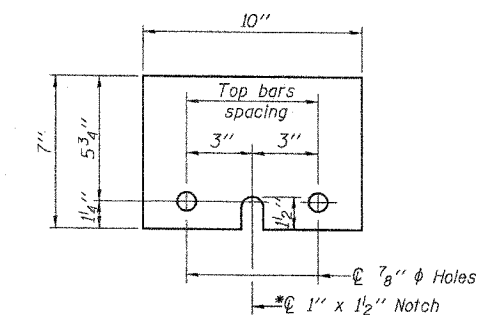
****If existing deck beam is to remain in place after stage construction, embedment shall only be into wearing surface and not into existing deck beam concrete.



DETAIL I



DETAIL II



STEEL RETAINER \bar{P} 1" x 7" x 10"

* Required only with Detail II

**Wood blocks may be omitted when required to provide minimum stage traffic lane width. When the wood blocks are omitted, the concrete barrier shall be in direct contact with the steel retainer plate.

FILE NAME = ...803-temp-conc-barrier.dgn
PLOT SCALE = 0.0000 1" = 7' IN.
USER NAME = GFC

R-27

9-3-07

ILLINOIS DEPARTMENT OF TRANSPORTATION			
SHEET TITLE TEMPORARY CONCRETE BARRIER FOR STAGE CONSTRUCTION			
PROJECT IL ROUTE 146 OVER DUTCH CREEK FAP ROUTE 885 SECTION 104BR-1 UNION COUNTY STATION 268+27.00 STRUCTURE NUMBER 091-0059	PROJECT NO. 06056-5	SCALE DATE 11/30/07	DRAWN BY TFC/GFC
COOMBE-BLOXDORF P.C. Engineers / Land Surveyors Springfield, Illinois		DRAWING NO. 3	CHECKED BY MCB/BD
Design Firm License No. 184-002703		OF 13 SHTS	