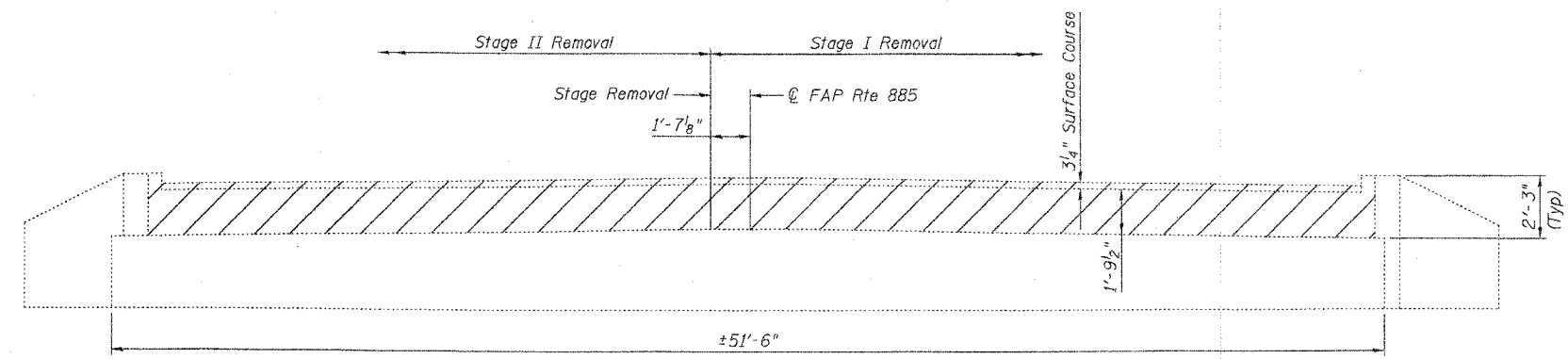
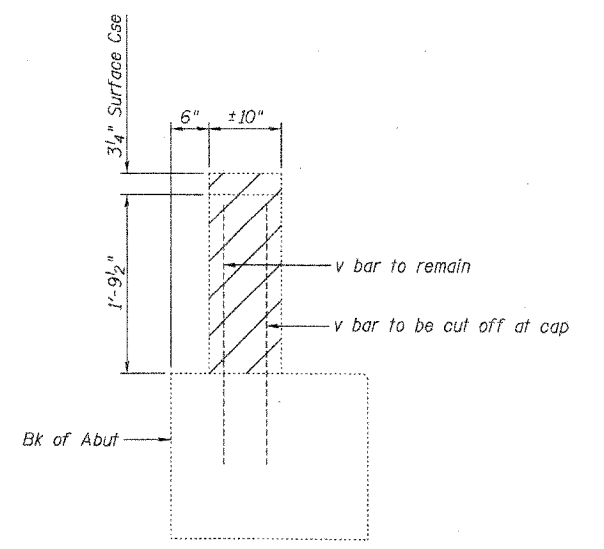


Contract # 78025



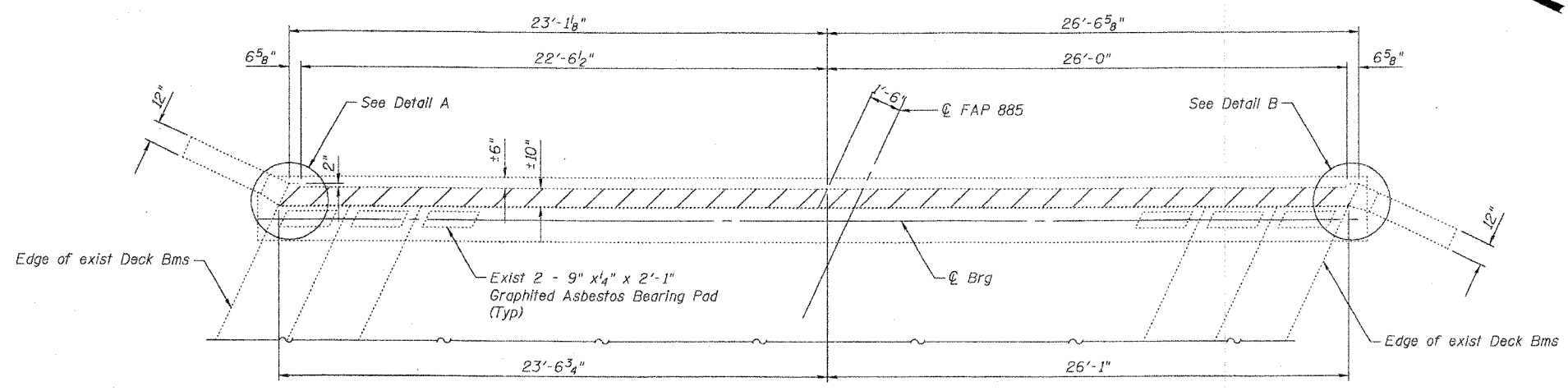
ELEVATION

(East Abutment Shown, West Abutment Opposite)



SECTION THRU ABUTMENT

(Dim at right angles)



TOP VIEW

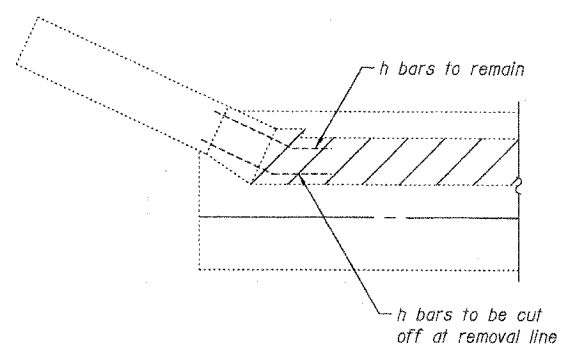
(East Abutment Shown, West Abutment Opposite)

BILL OF MATERIAL

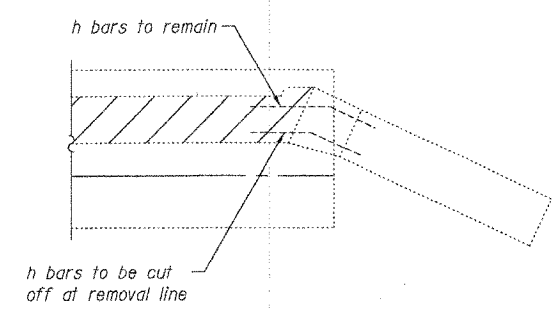
2 - ABUTMENTS

ITEM	UNIT	TOTAL
Concrete Removal	Cu. Yd.	6.3
Asbestos Bearing Pad Removal	Each	60

Notes:
 Hatched area indicates Concrete Removal.
 Existing v bars in front face of end block and h bars in front face of wingwalls shall be cut off at the removal line. Cost included with Concrete Removal.
 Existing v bars in back face of end block and h bars in back face of wingwalls shall be cleaned and straightened before incorporating into new construction. Any reinforcement bars damaged during concrete removal shall be replaced with an approved bar splicer or anchorage system. Cost included with Concrete Removal.



DETAIL A



DETAIL B

FILE NAME = \\p01-aba\abutment-concrete-removal.dgn
 USER NAME = CFC

ILLINOIS DEPARTMENT OF TRANSPORTATION	
SHEET TITLE ABUTMENT CONCRETE REMOVAL	
PROJECT IL ROUTE 146 OVER DUTCH CREEK FAP ROUTE 885 SECTION 104BR-1 UNION COUNTY STATION 268+27.00 STRUCTURE NUMBER 091-0059	PROJECT NO. 06056-5 SCALE DATE 11/30/07 DRAWN BY CFC CHECKED BY MCB/BD DRAWING NO.
COOMBE-BLOXDORF P.C. Engineers / Land Surveyors Springfield, Illinois	
Design Firm License No. 184-002703	8 OF 13 SHTS