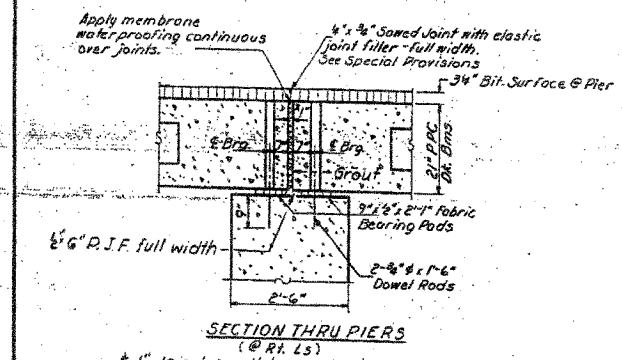
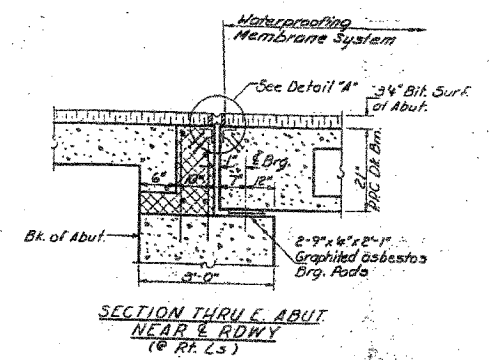
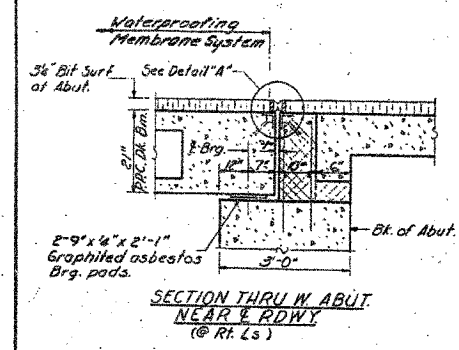
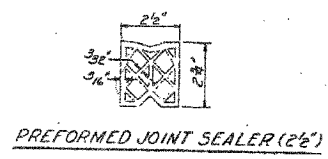
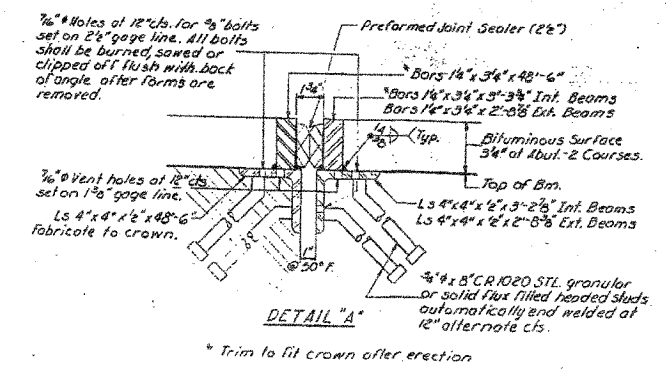
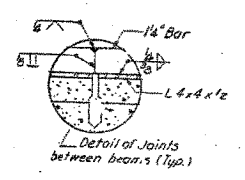
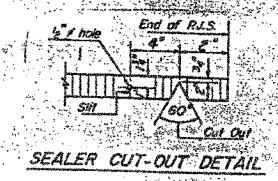
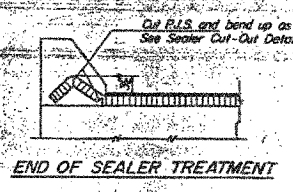


STATE OF ILLINOIS
DEPARTMENT OF TRANSPORTATION

PROJECT NO.	SECTION	COUNTY	TOTAL SHEETS	SHEET NO.
184B1	UNION	26	16	9



NOTE:
For Waterproofing Membrane System see Special Provisions.



GENERAL DETAILS
F.A. RT. 51 SEC. 104 B-1
UNION COUNTY
STA 268+27.00

DESIGNED	G.E. Ozjurt	EXAMINED	[Signature]
CHECKED	J.A.R.	PASSED	[Signature]
DRAWN	Bev Robinson	APPROVED	[Signature]
CHECKED	J.A.D.		

PLOT DATE = 12/03/2007
FILE NAME = c:\p1\2007\existing-structure.dgn
SCALE = 1" = 1'-0"
USER NAME = CFC

ILLINOIS DEPARTMENT OF TRANSPORTATION			
SHEET TITLE			
EXISTING STRUCTURE PLANS			
PROJECT	IL ROUTE 146 OVER DUTCH CREEK FAP ROUTE 885 SECTION 104BR-1 UNION COUNTY STATION 268+27.00 STRUCTURE NUMBER 091-0059	PRODUCT NO.	06056-5
SCALE		DATE	
DRAWN BY	CFC	CHECKED BY	MCB/BD
DRAWING NO.			
COOMBE-BLOXDORF P.C. Engineers / Land Surveyors Springfield, Illinois Design Firm License No. 184-002703			4 OF 9 SHTS