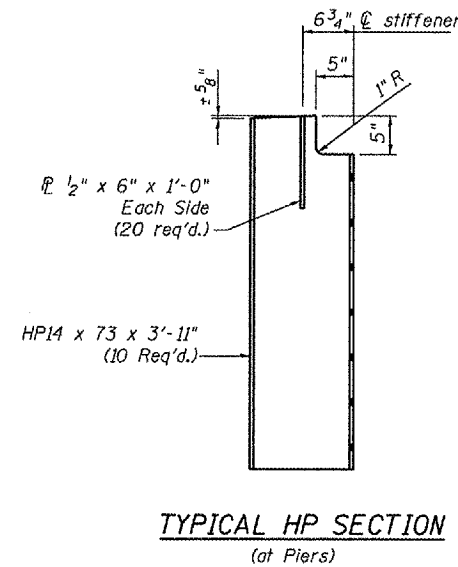
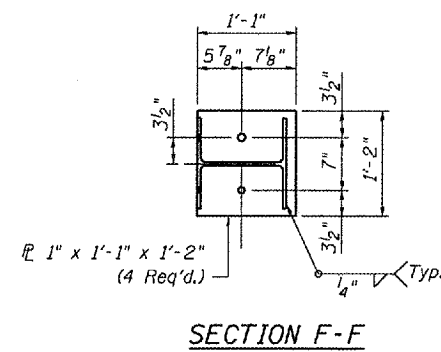
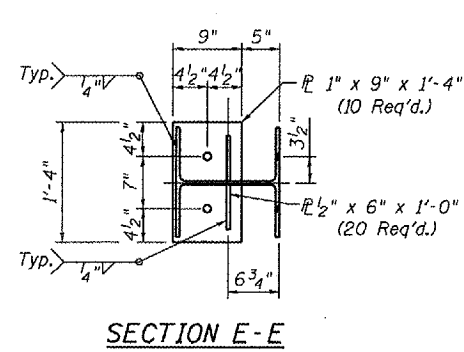
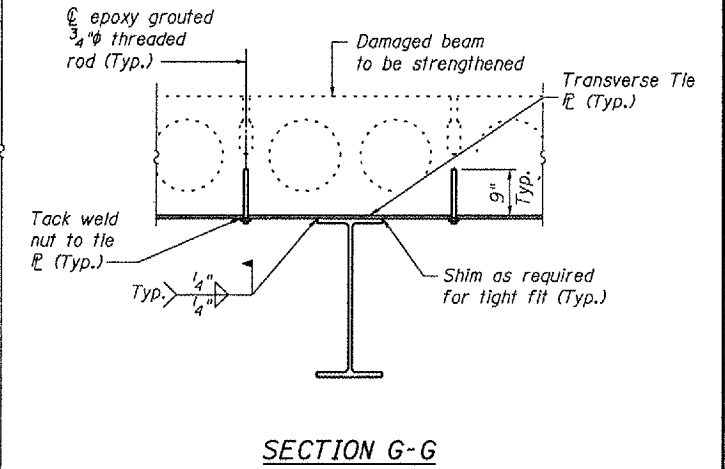
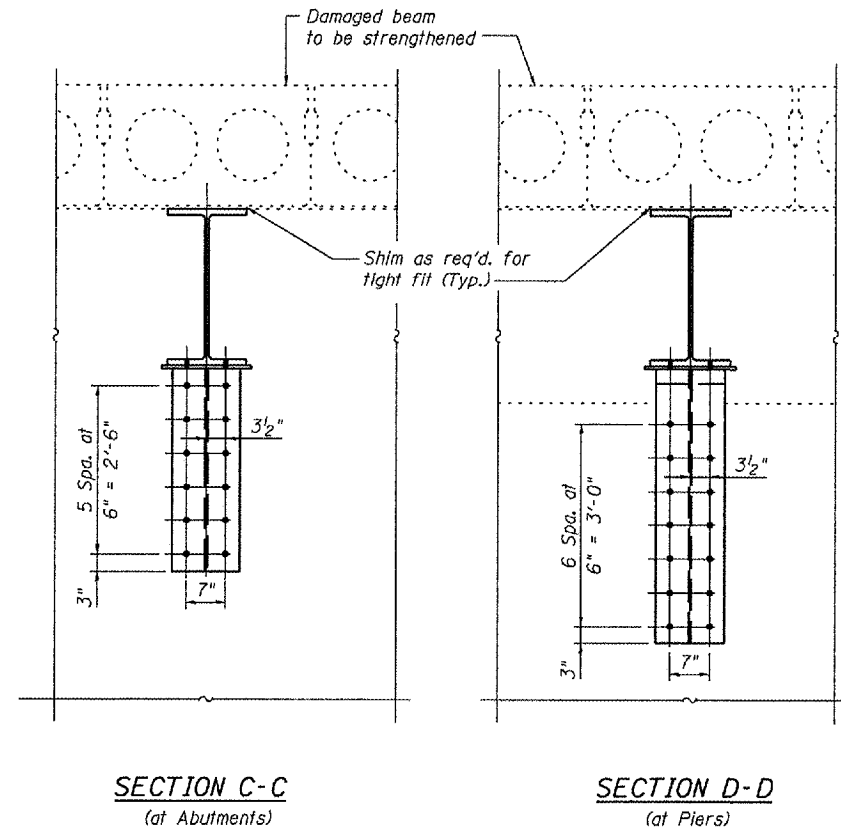
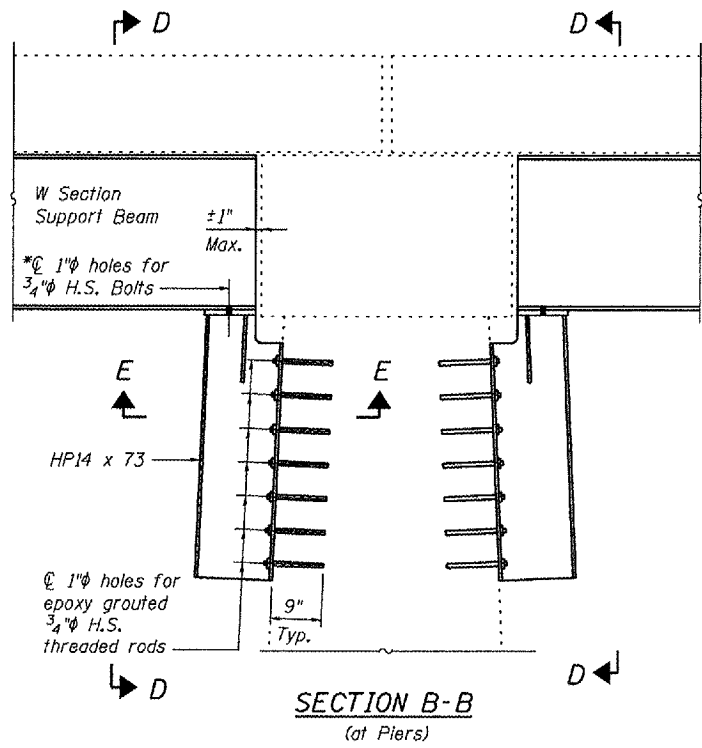
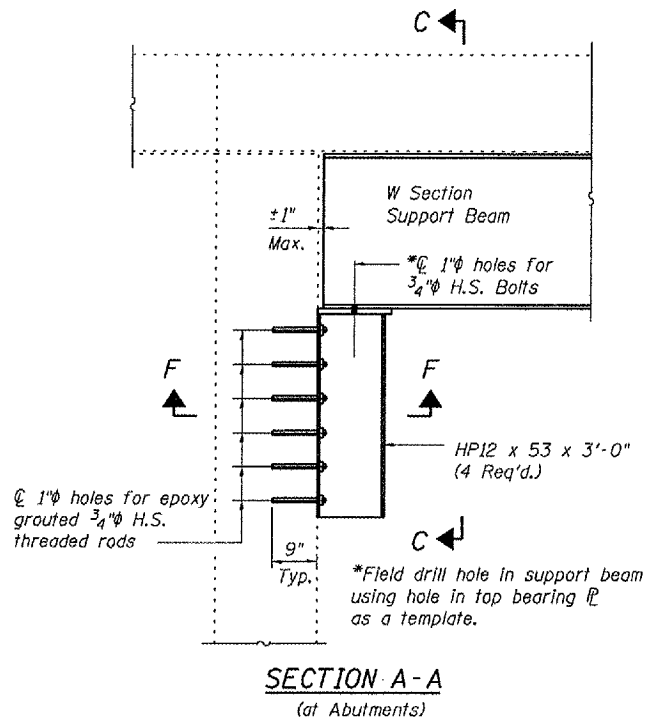


STATE OF ILLINOIS
DEPARTMENT OF TRANSPORTATION

ROUTE NO.	SECTION	COUNTY	SHEET NO.	SHEET
FAP 328	-	White	14	11
FED. ROAD DIST. NO.	ILLINOIS	FED. AID PROJECT		

Contract # **F8035**

SHEET NO. 2
2 SHEETS



DESIGNED	CMV
CHECKED	SDS
DRAWN	DLH
CHECKED	CMV

WHKS & CO.

ENGINEERS PLANNERS LAND SURVEYORS

MASON CITY, IOWA DUBUQUE, IOWA AMES, IOWA
E. DUBUQUE, ILLINOIS SPRINGFIELD, ILLINOIS ROCHESTER, MINNESOTA

REPAIR DETAILS
US 45 OVER UNNAMED STREAM
WHITE COUNTY
S.N. 097-0021

Operator: dtheberling

Date: 11/26/2007

Filename: L:\Jobs\IDOT BBS\6727 BBS Various Various\6727_091\CADD_Struct\I.S.N. 097-0021\I.S.N. 097-0021_rev 1.dgn