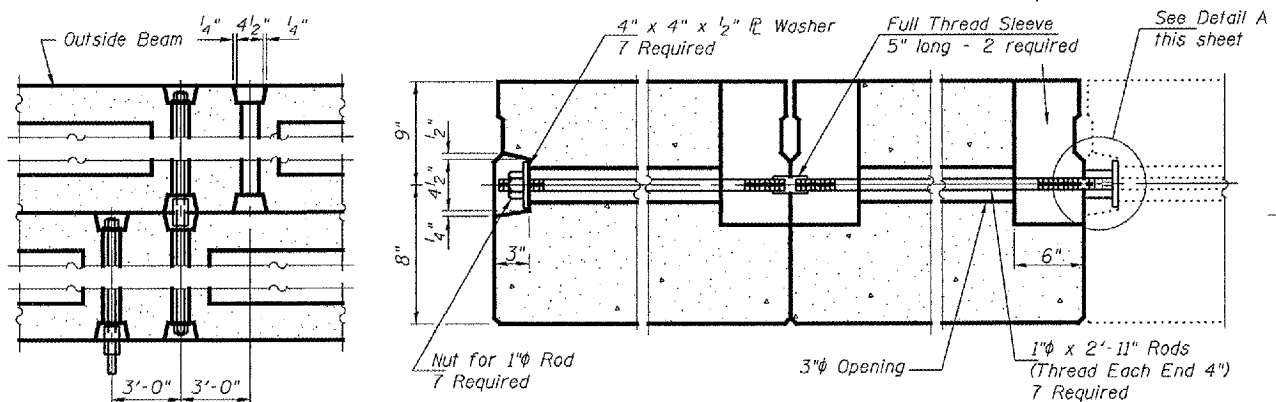


STATE OF ILLINOIS  
DEPARTMENT OF TRANSPORTATION

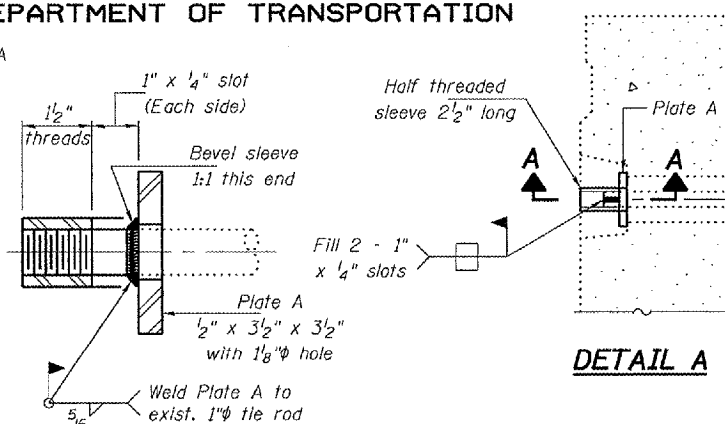
ROUTE NO.	SECTION	COUNTY	SHEETS	SHEET NO.
FAP 821		JEFFERSON	14	13
FED. ROAD DIST. NO. 7	ILLINOIS	FED. AID PROJECT		3 SHEETS

Contract Number: 78035

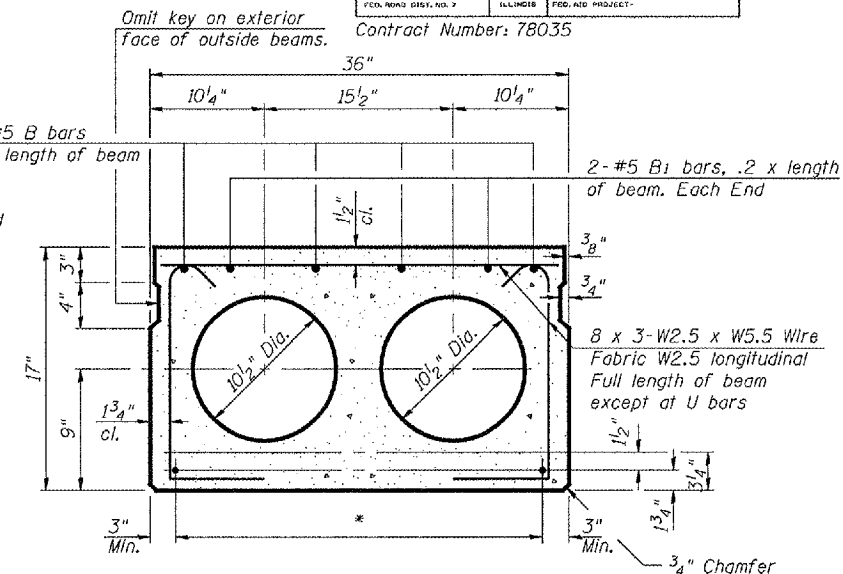
6" x 6" x 1 1/2" Blockout to be filled with Class BS Concrete after Beams have been installed. Cost shall be included in the cost of PPC Deck Beams. Omit an exterior face of fascia beams.



TYPICAL TRANSVERSE TIE ASSEMBLY



SECTION A-A  
(3 Required)



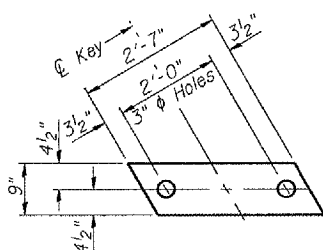
TYPICAL SECTION

1/2"  $\phi$  Strands, Each Strand Stressed to 30,900 Lbs.  
6-Strands 1 3/4" up, 2-Strands 3/4" up

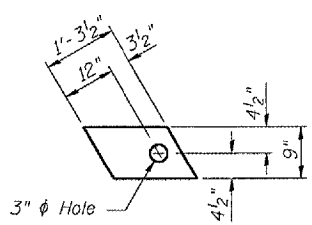
\* TRANSVERSE PLACEMENT GUIDELINES

1. Place strands symmetrically about centerline of beam.
2. The minimum distance from center to center of strands in all directions shall be 2".
3. The minimum clearance from strand to dowel hole shall be 1/2".
4. The minimum clearance from strand to void shall be 1/2".

Vertical placement of strands shall not be adjusted to satisfy the above guidelines.



FABRIC BEARING PAD  
(Interior)



FABRIC BEARING PAD  
(Exterior)

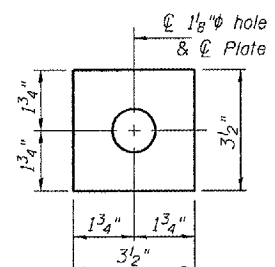
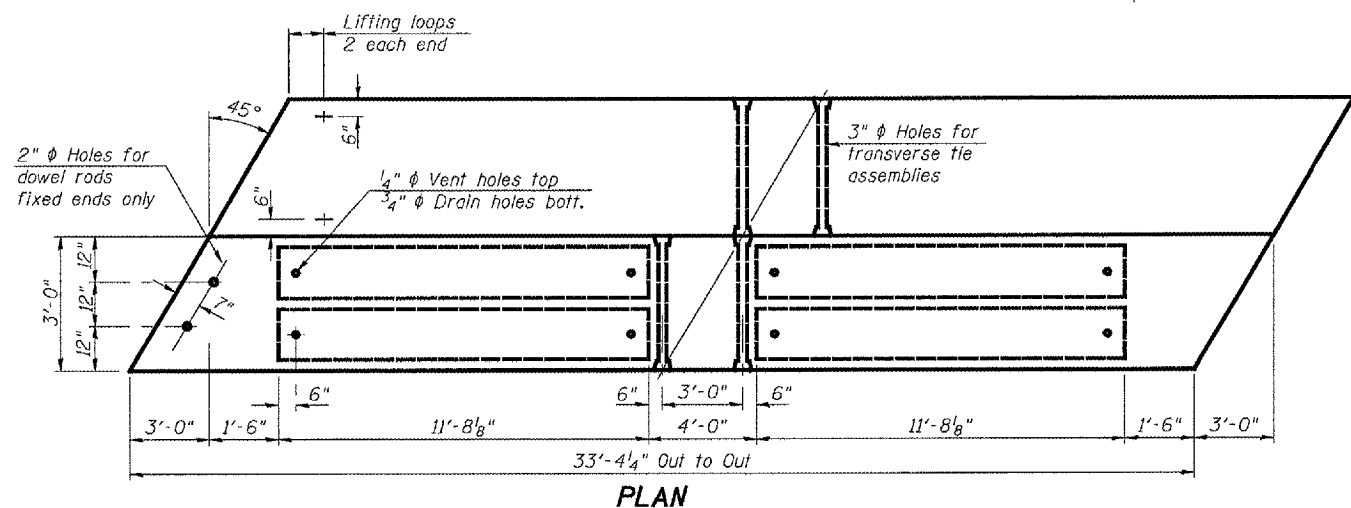
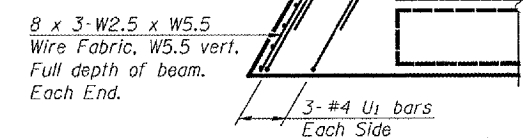


PLATE A  
(3 Required)



PLAN

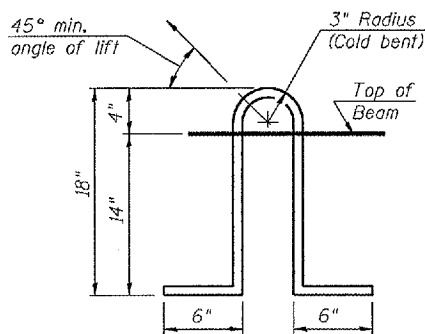


END PLAN

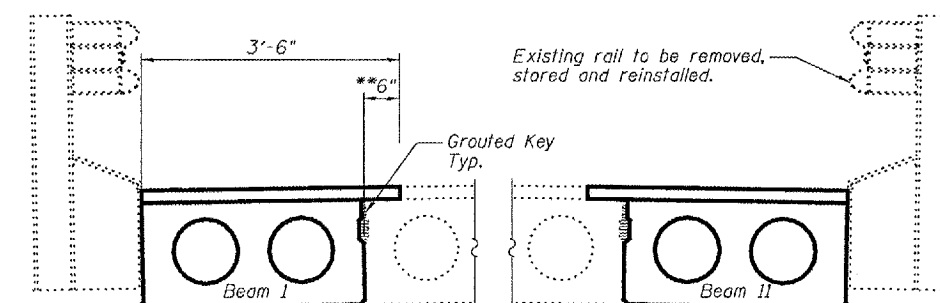
DESIGNED	A.J.B.
CHECKED	V.H.V.
DRAWN	Drew Christopher
CHECKED	A.J.B. V.H.V.

DATE	January 3, 2008
EXAMINED	<i>Carl Probst</i>
PASSED	<i>Ralph E. Anderson</i>

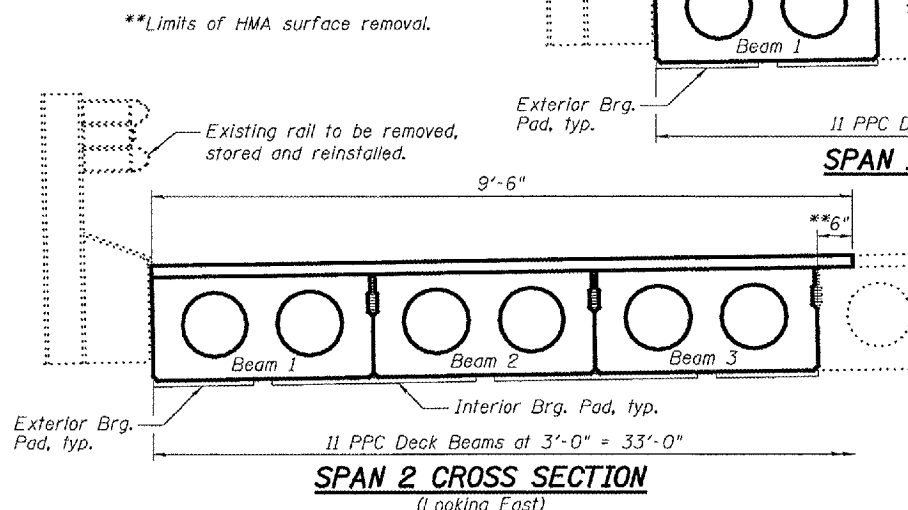
PD-3-L 11-1-06



LIFTING LOOP DETAIL



SPAN 1 CROSS SECTION  
(Looking East)



SPAN 2 CROSS SECTION  
(Looking East)

NOTES

Prestressing steel shall be uncoated high strength, low relaxation 7-wire strand, Grade 270. The nominal diameter shall be 1/2" and the nominal cross-sectional area shall be 0.153 sq. in. Lifting loops shall be 2 - 1/2"  $\phi$  - 270 ksi strands, as shown. The 1"  $\phi$  rods in the transverse tie assembly shall be tightened to a snug fit and the threads set. Pockets that receive transverse tie bar on outside shall be filled with grout after transverse tie assembly is in place. Non prestressing steel shall conform to ASTM A 706 (IL MOD), Grade 60. The bearing seat surfaces shall be adjusted by shimming to assure firm and even bearing. Two 1/2" fabric adjusting shims of the dimensions of the Exterior Bearing Pad shall be provided for each bearing. Keyway surfaces shall be cleaned to remove form oil or other bond breaking material prior to shipment of the beams. Cleaning shall be done by sandblasting the keyway areas between top of the beam and the bottom edge of the key. Corrosion inhibitor, per Article 1020.05(b)(12) of the Standard Specifications, shall be used in the concrete for precast prestressed concrete deck beams. Required Release Strength, f'ci, shall be 4,000 p.s.i.

BILL OF MATERIAL

Precast Prestressed Conc. Deck Bms.	Sq. Ft.	500.3
-------------------------------------	---------	-------

BEAM DETAILS  
FAP 821  
JEFFERSON COUNTY  
SN 041-0021