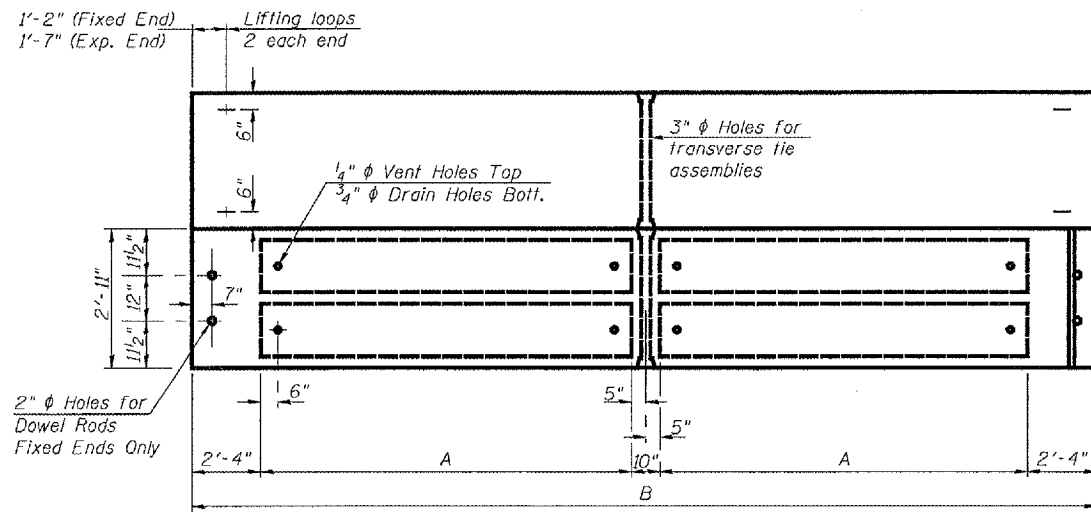


STATE OF ILLINOIS
DEPARTMENT OF TRANSPORTATION

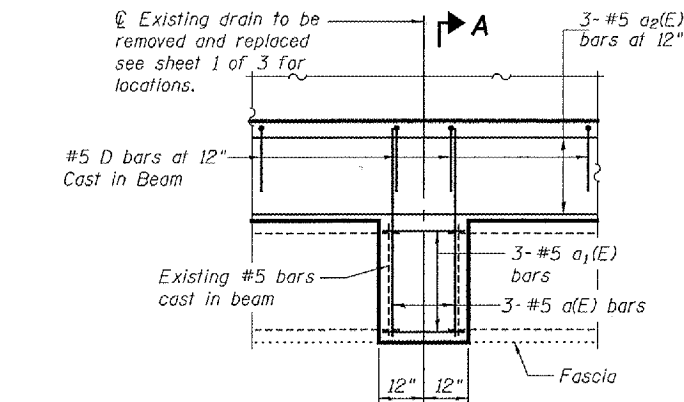
ROUTE NO.	SECTION	COUNTY	SHEET	SHEET NO.
		Jackson	10	7
FED. ROAD DIST. NO. 7		ILLINOIS		FED. AID PROJECT

Contract Number: 78036

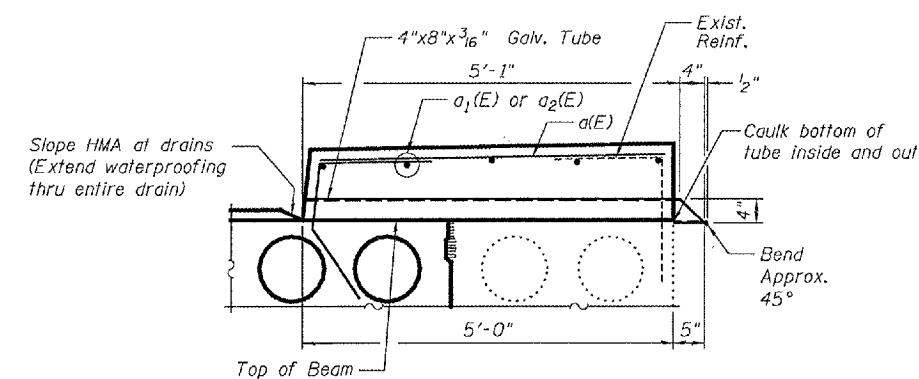
Span	Dim A	Dim B
1	17'-4 ⁵ / ₁₆ "	40'-2 ⁵ / ₈ "
2	17'-4 ⁵ / ₁₆ "	40'-2 ⁵ / ₈ "
7	17'-8"	40'-10"



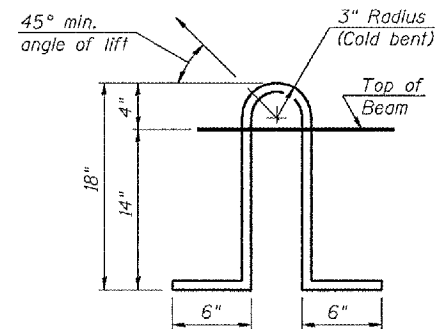
PLAN



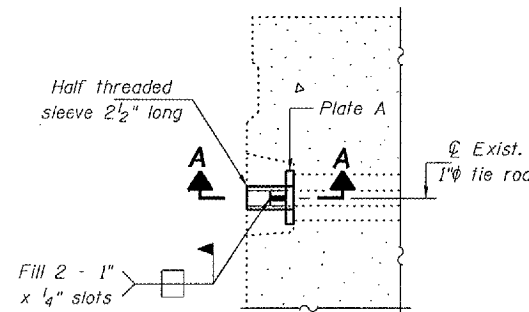
PLAN AT DRAIN SPAN 2



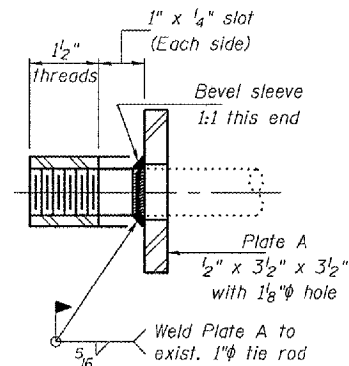
SECTION A-A



LIFTING LOOP DETAIL



DETAIL A

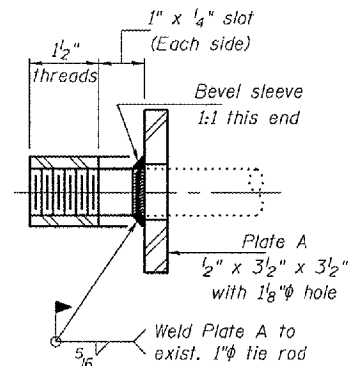


SECTION A-A
(3 Required)

* TRANSVERSE PLACEMENT GUIDELINES

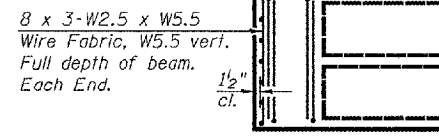
1. Place strands symmetrically about centerline of beam.
2. The minimum distance from center to center of strands in all directions shall be 2".
3. The minimum clearance from strand to dowel hole shall be 1/2".
4. The minimum clearance from strand to void shall be 1/2".

Vertical placement of strands shall not be adjusted to satisfy the above guidelines.

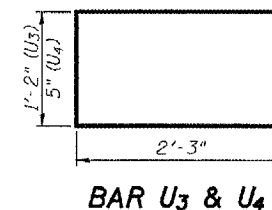


FABRIC BEARING PAD

(Fixed shown, expansion similar without holes)

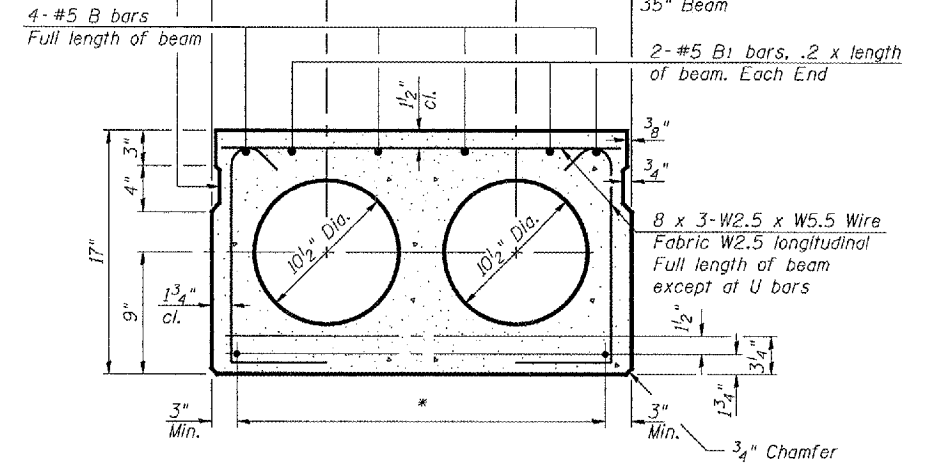


END PLAN



BAR U3 & U4

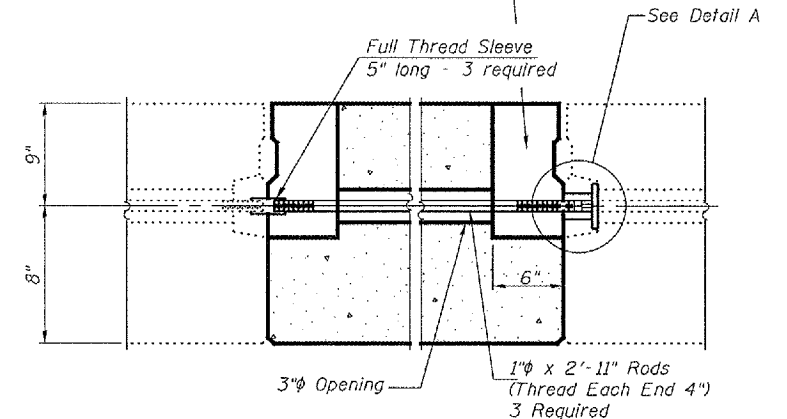
Omit key on exterior face of outside beams.



TYPICAL SECTION

1/2" φ Strands, Each Strand Stressed to 30,900 Lbs.
9-Strands 1 3/4" up, 2-Strands 3/4" up, 2-Strands 12" up

6" x 6" x 1 1/2" Blockout to be filled with Class BS Concrete after Beams have been installed. Cost shall be included in the cost of "Concrete Superstructure". Omit on exterior of fascia beams.



TYPICAL TRANSVERSE TIE ASSEMBLY

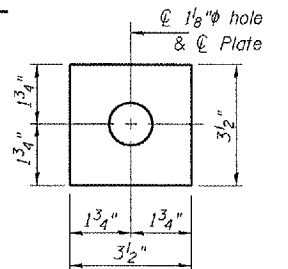


PLATE A
(3 Required)

BILL OF MATERIAL

Bar	No.	Size	Length	Shape
a(E)	6	#5	4'-8"	
a1(E)	6	#5	1'-10"	
a2(E)	3	#5	40'-0"	
b(E)	9	#5	2'-9"	
Concrete Removal			Cu. Yd.	3.7
Concrete Superstructure			Cu. Yd.	3.9
Reinforcement Bars, Epoxy Coated			Lbs.	190
Precast Prestressed Conc. Deck Bms. 17"			Sq. Ft.	354

BEAM DETAILS
F.A. RT. 9669
JACKSON COUNTY
SN 039-0036

NOTES

- Prestressing steel shall be uncoated high strength, low relaxation 7-wire strand, Grade 270. The nominal diameter shall be 1/2" and the nominal cross-sectional area shall be 0.153 sq. in. Lifting loops shall be 2 - 1/2" φ-270 ksi strands, as shown.
- The 1" φ rods in the transverse tie assembly shall be tightened to a snug fit and the threads set. Pockets that receive transverse tie bar on outside shall be filled with grout after transverse tie assembly is in place.
- Non prestressing steel shall conform to ASTM A 706 (IL MOD), Grade 60.
- The bearing seat surfaces shall be adjusted by shimming to assure firm and even bearing. Two 1/8" fabric adjusting shims of the dimensions of the Exterior Bearing Pad shall be provided for each bearing.
- Keyway surfaces shall be cleaned to remove form oil or other bond breaking material prior to shipment of the beams. Cleaning shall be done by sandblasting the keyway areas between top of the beam and the bottom edge of the key.
- Corrosion Inhibitor, per Article 1020.05(b)(12) of the Standard Specifications, shall be used in the concrete for precast prestressed concrete deck beams.
- Required Release Strength, f'ci, shall be 4,000 p.s.i.

DESIGNED	A.T.H.
CHECKED	A.J.B.
DRAWN	Drew Christopher
CHECKED	A.T.H. A.J.B.

EXAMINED	January 15, 2008
PASSED	Ralph E. Anderson

PD-3-S 11-1-06