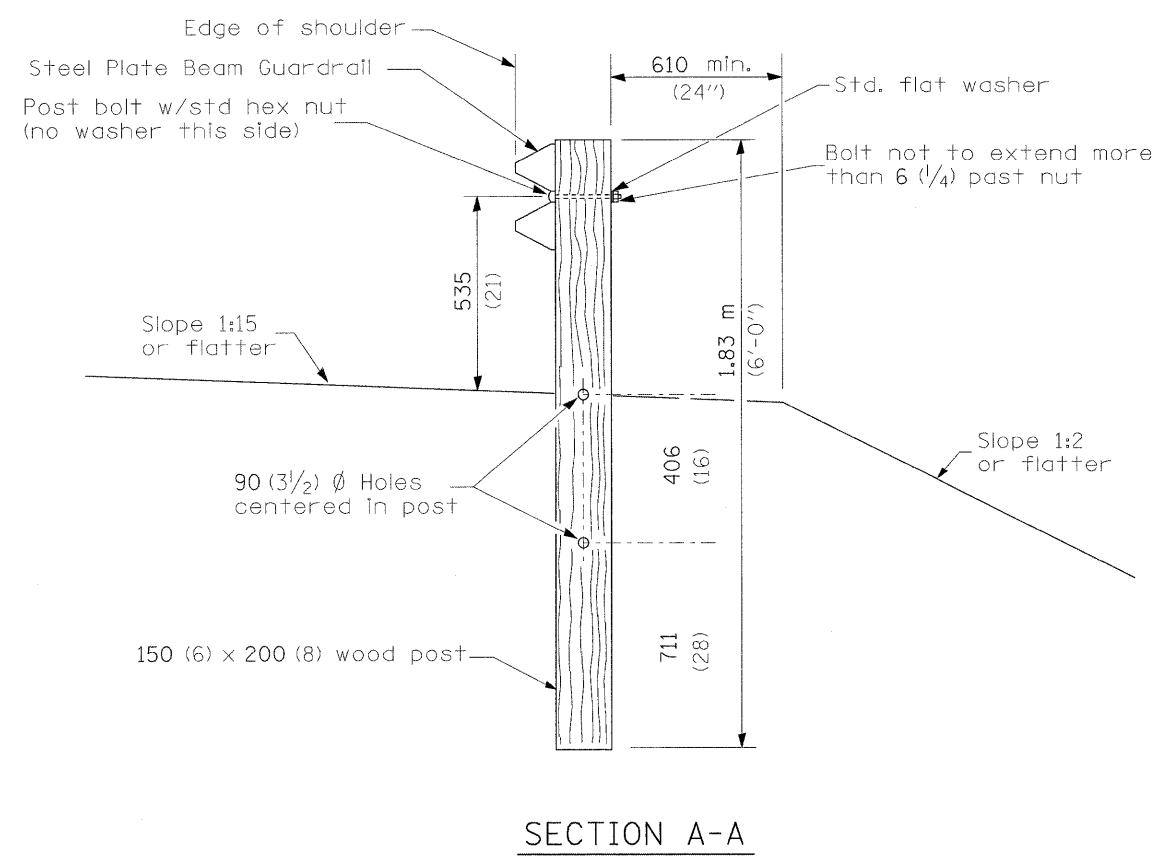


- Notes:
- Construct according to Standard 631011 for Traffic Barrier Terminal Type 2, except delete end section and splice into radius guardrail.
 - Steel Plate Beam Guardrail Type A, Type B, or Traffic Barrier Terminal as specified.
 - For the 2.59 m (8'-6") radius, the rail is not bolted to the post located at the midpoint of the curve.

PLAN



SECTION A-A

INSTALLATION CHARACTERISTICS PER DESIGN RADIUS (R)			
R	NO. OF WOOD POSTS	X	Y
2.59 (8'-6")	5 (Note 3)	7.6 m (25')	4.6 (15')
5.18 (17'-0")	6	9.1 m (30')	4.6 (15')
7.77 (25'-6")	8	12.2 m (40')	6.1 (20')
10.67 (35'-0")	11	15.2 m (50')	6.1 (20')

GENERAL NOTES

All slope ratios are expressed as units of vertical displacement to units of horizontal displacement (V:H).
All dimensions are in millimeters (inches) unless otherwise shown.