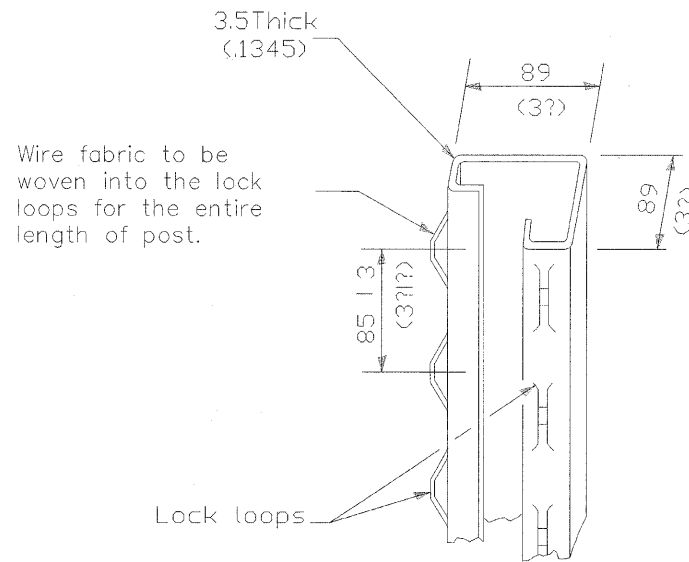
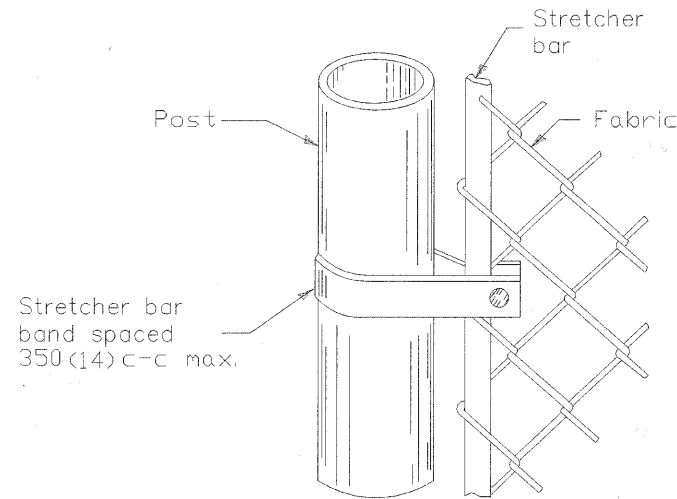


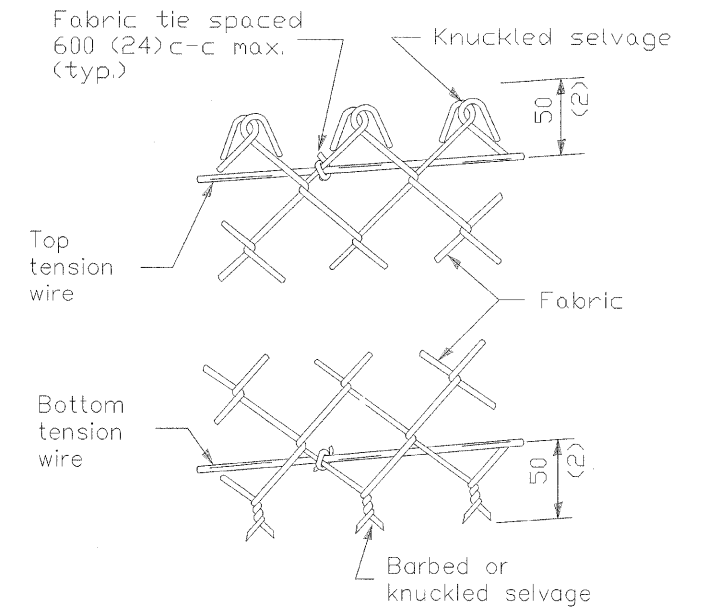
ROLL FORMED SECTION OF BRACE



ROLL FORMED SECTION OF TERMINAL & GATE POST



METHOD OF FASTENING STRETCHER BAR TO POST



METHOD OF TYING FABRIC TO TENSION WIRES

LINE POST		
Section		kg/m (lbs./ft.)
Pipe Type A	48.3 $\square$ .D. (1.90)	4.05 (2.72)
Pipe Type B	48.3 $\square$ .D. (1.90)	3.39 (2.28)
Pipe Type C	48.3 $\square$ .D. (1.90)	3.36 (2.26)
H	47.6x41.3 (1.875x1.625)	4.05 (2.72)
$\square$		2.38 (1.60)
I		3.42 (2.30)

TERMINAL POST		
Section		kg/m (lbs./ft.)
Pipe Type A	60.3 $\square$ .D. (2.375)	5.43 (3.65)
Pipe Type B	60.3 $\square$ .D. (2.375)	4.63 (3.11)
Pipe Type C	60.3 $\square$ .D. (2.375)	4.60 (3.09)
Roll Formed	89.0x89.0 (3?x3?)	See detail
Sq. Tubing	63.5x63.5 (2?x2?)	6.43 (4.32)

HORIZONTAL BRACES		
Section		kg/m (lbs./ft.)
Pipe Type A	42.2 $\square$ .D. (1.66)	3.38 (2.27)
Pipe Type B	42.2 $\square$ .D. (1.66)	2.72 (1.83)
Pipe Type C	42.2 $\square$ .D. (1.66)	2.71 (1.82)
H	33.3x38.1 (1.31x1.5)	3.35 (2.25)
Roll Formed	41.3x31.8 (1?x1?)	See detail

GATE FRAMES		
Section		kg/m (lbs./ft.)
Pipe Type A	42.2 $\square$ .D. (1.66)	3.38 (2.27)
Pipe Type B	42.2 $\square$ .D. (1.66)	2.72 (1.83)
Pipe Type C	42.2 $\square$ .D. (1.66)	2.71 (1.82)

GATE POSTS *							
Gate Opening * m (ft.)		Pipe Type A		Sq. Tubing		Pipe Type B	
Single	Double	Size ( $\square$ .D.)	kg/m (lbs./ft.)	Size	kg/m (lbs./ft.)	Size ( $\square$ .D.)	kg/m (lbs./ft.)
Up to 1.2 (4)	Up to 2.5 (8)	60.3 (2.375)	5.43 (3.65)	63.5 (2)	6.43 (4.32)	60.3 (2.375)	4.63 (3.11)
Over 1.2 to 2.5 (4) (8)	Over 2.5 to 5.0 (8) (16)	73.0 (2.875)	8.62 (5.79)	76.2 (3)	8.60 (5.78)	73.0 (2.875)	6.91 (4.64)
Over 2.5 to 3.6 (8) (12)	Over 5.0 to 7.4 (16) (24)	89.0 (3.5)	11.28 (7.58)	76.2 (3)	13.10 (8.80)	89.0 (3.5)	8.49 (5.707)

\* The 89.0 x 89.0 (3? x 3?) roll formed section as detailed may be used as gate posts for single gate up to 1.8 m (6') and double gate up to 3.6 m (12').

REVISIONS		ILLINOIS DEPARTMENT OF TRANSPORTATION	
NAME	DATE	CHAIN LINK FENCE	
M. DE YOUNG	06/13/90		
M. DE YOUNG	07/03/90		
M. DE YOUNG	3/27/92		
R. SHAH	09/09/94		
R. SHAH	10/25/94		
A. ABBAS	03/21/97		
M. GOMEZ	04/06/01	SCALE: NONE	DRAWN BY: CADD
		DATE: 03/25/02	CHECKED BY:

Drawing file: W:\Projects\08003085 - Prairie Path Imp\VD01 STANDA02.dwg Jan 03, 2008 - 3:29pm