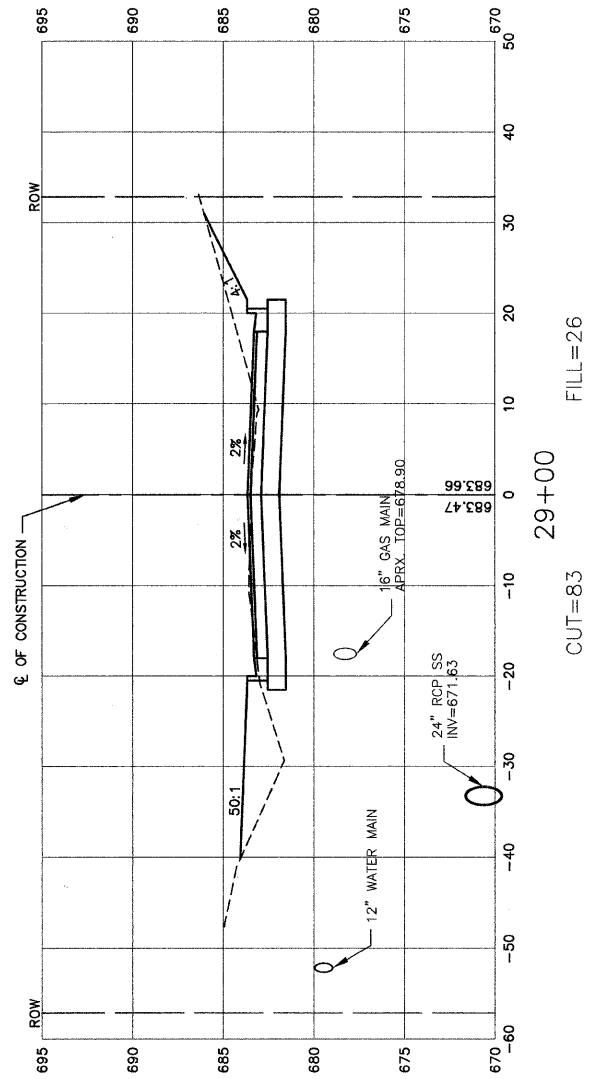
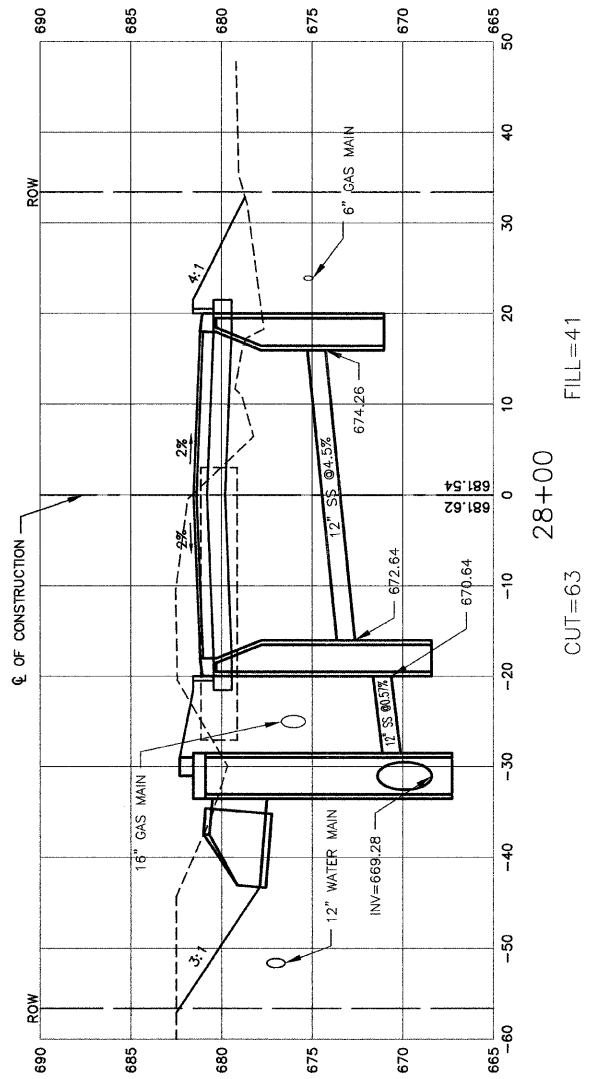


FAU. RITE.	SECTION	COUNTY	TOTAL SHEETS	SHEET NO.
0285	01-00052-00-FP	WILL	71	51
STA. 25+29.45		TO STA. 28+00		
FED. ROAD DIST. NO. 1	ILLINOIS	FED. AID PROJECT		

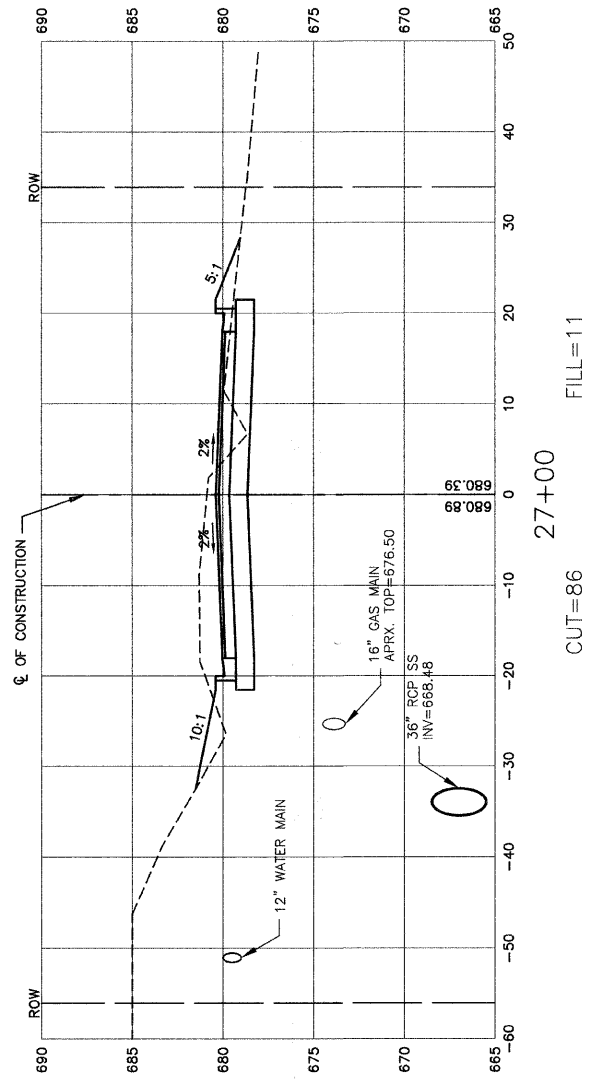
CONTRACT NO. 83956



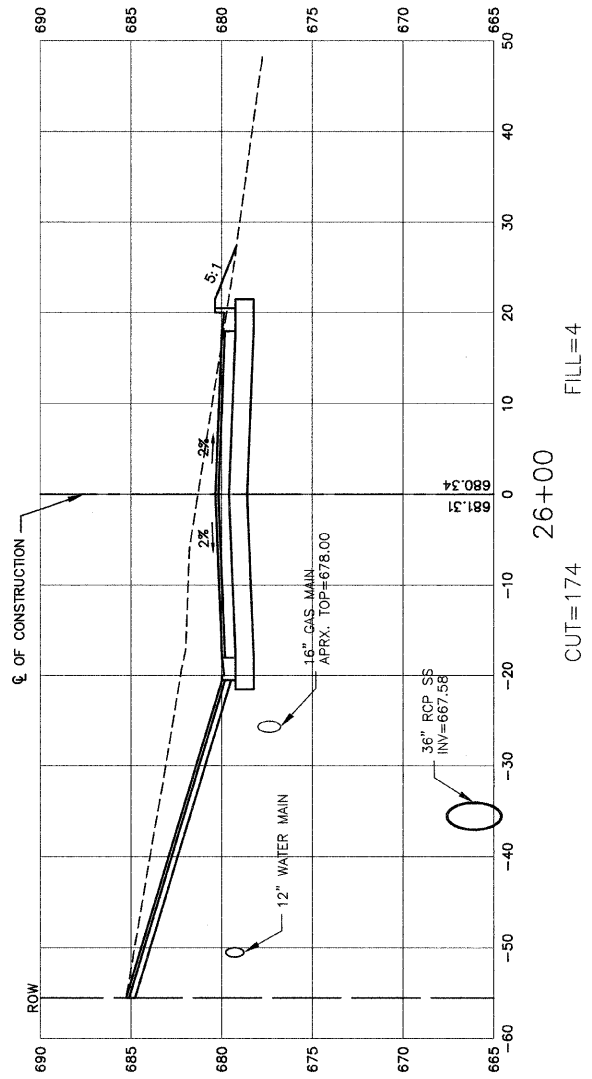
CUT=83 FILL=26



CUT=63 FILL=41



CUT=86 FILL=11



CUT=174 FILL=4

REVISIONS	
NAME	DATE

ILLINOIS DEPARTMENT OF TRANSPORTATION

151ST STREET IMPROVEMENT
CROSS SECTIONS
151ST STREET

SCALE: VERT. 1"=5'
HORIZ. 1"=10'
DATE 11-21-07
DRAWN BY RG/DC
CHECKED BY JMN