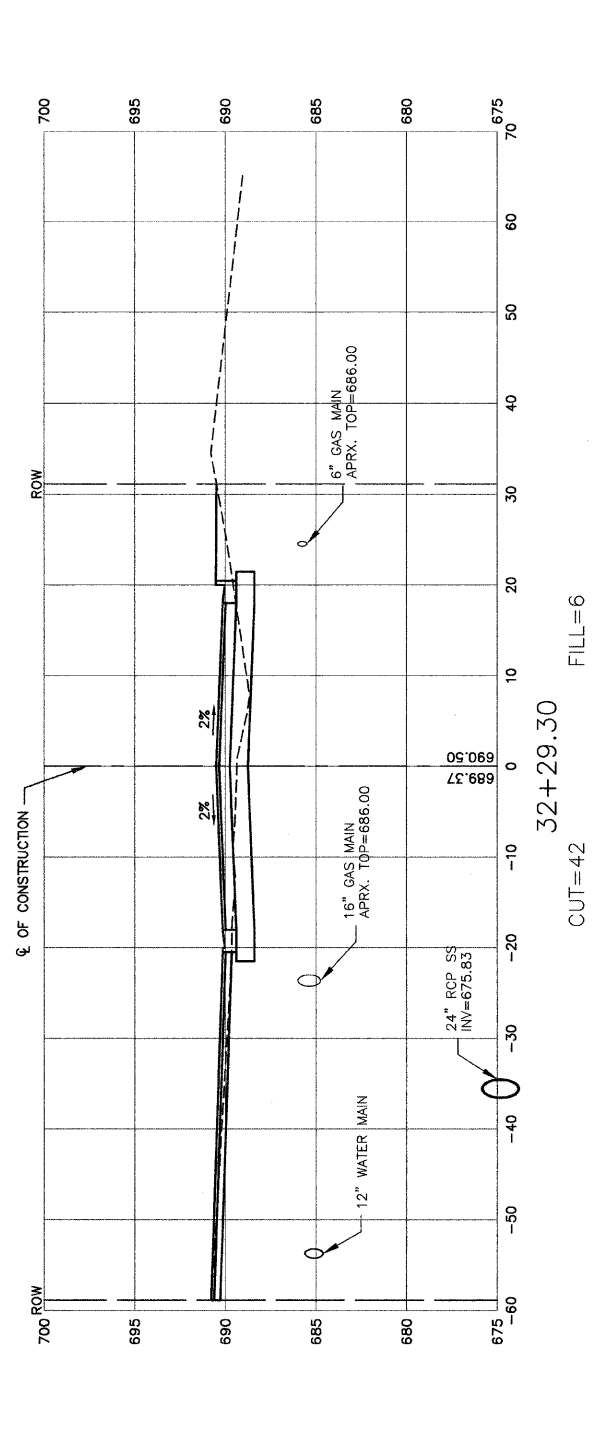
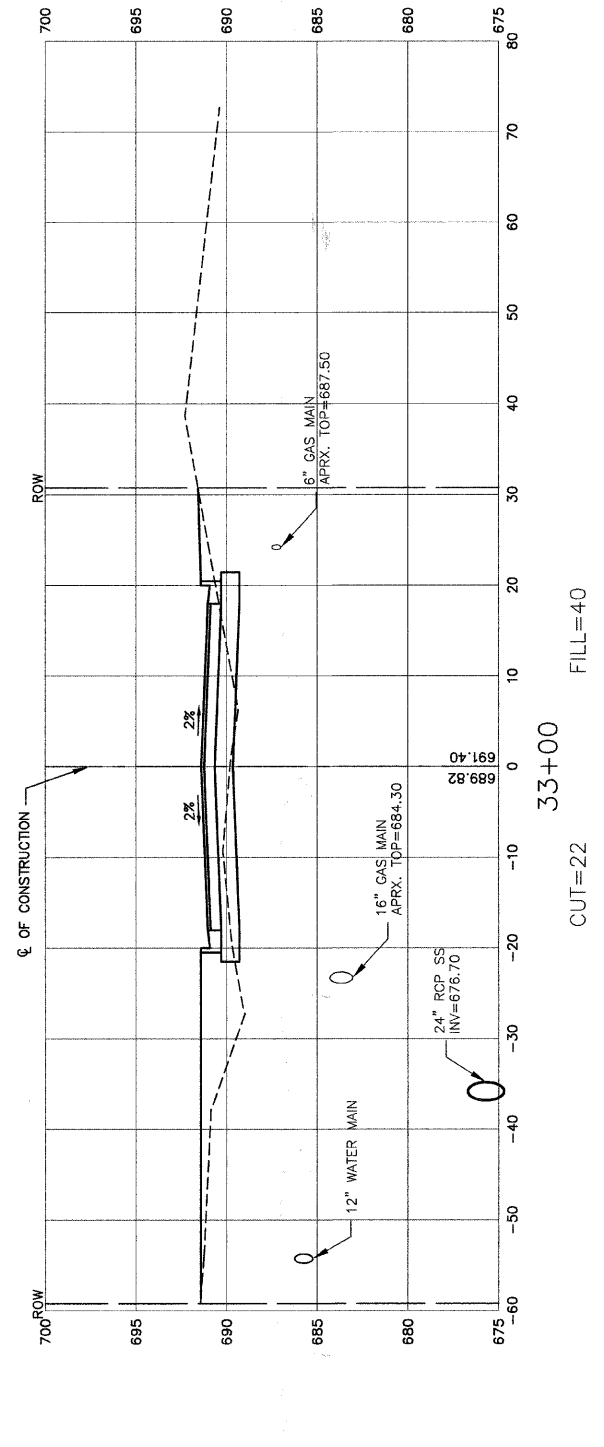
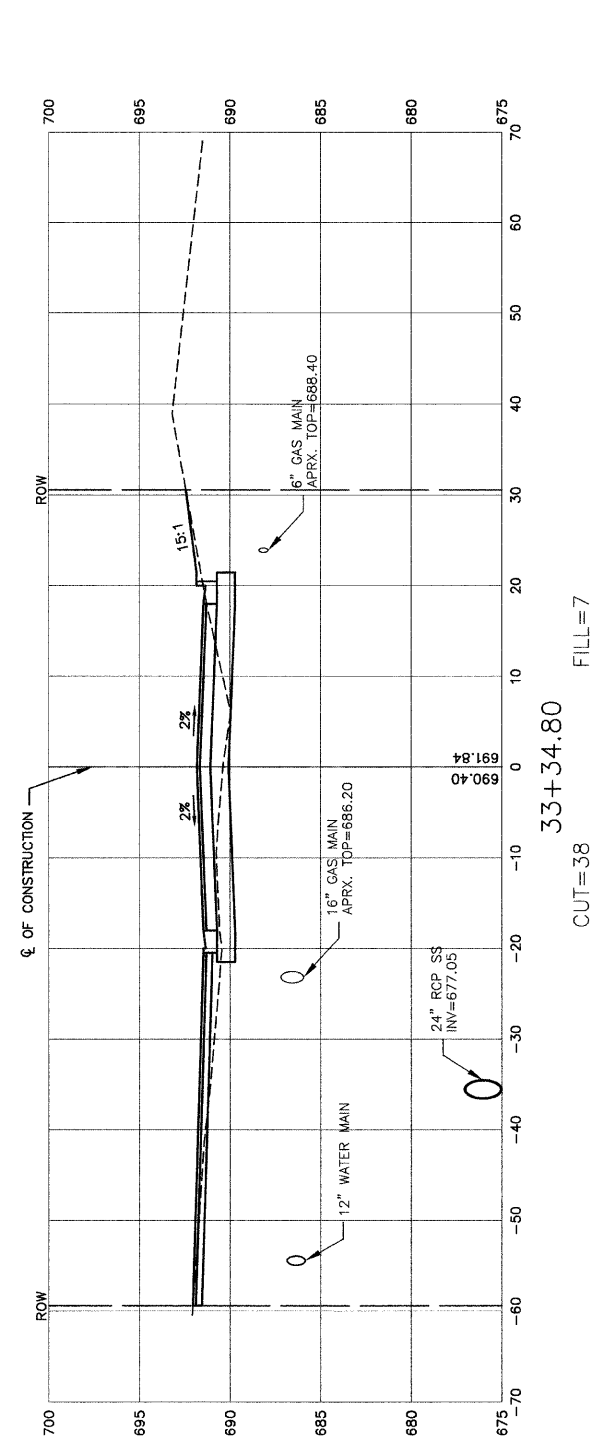
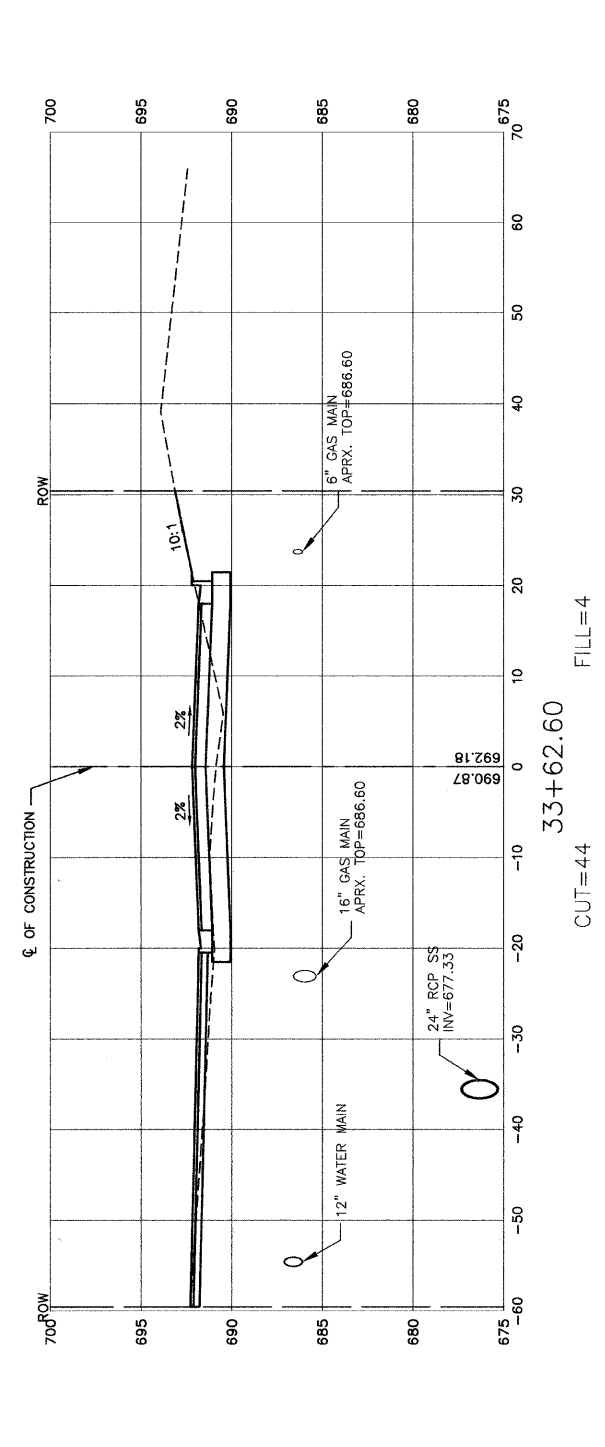


FAU. RTE.	SECTION	COUNTY	TOTAL SHEETS	SHEET NO.
0285	01-00052-00-FP	WILL	71	53
STA. 32+29.30		TO STA. 34+00		
FED. ROAD DIST. NO. 1	ILLINOIS	FED. AID PROJECT		

CONTRACT NO. 83956



REVISIONS	
NAME	DATE

ILLINOIS DEPARTMENT OF TRANSPORTATION

**151ST STREET IMPROVEMENT
CROSS SECTIONS
151ST STREET**

SCALE: VERT. 1"=5'
HORIZ. 1"=10'

DATE 11-21-07

DRAWN BY RG/DC
CHECKED BY JMN