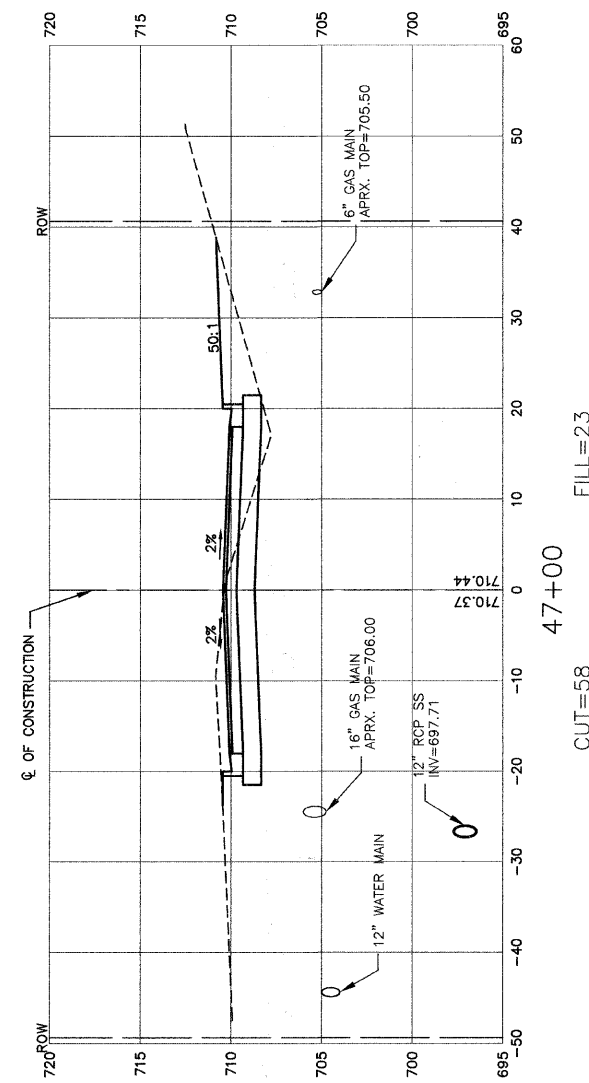
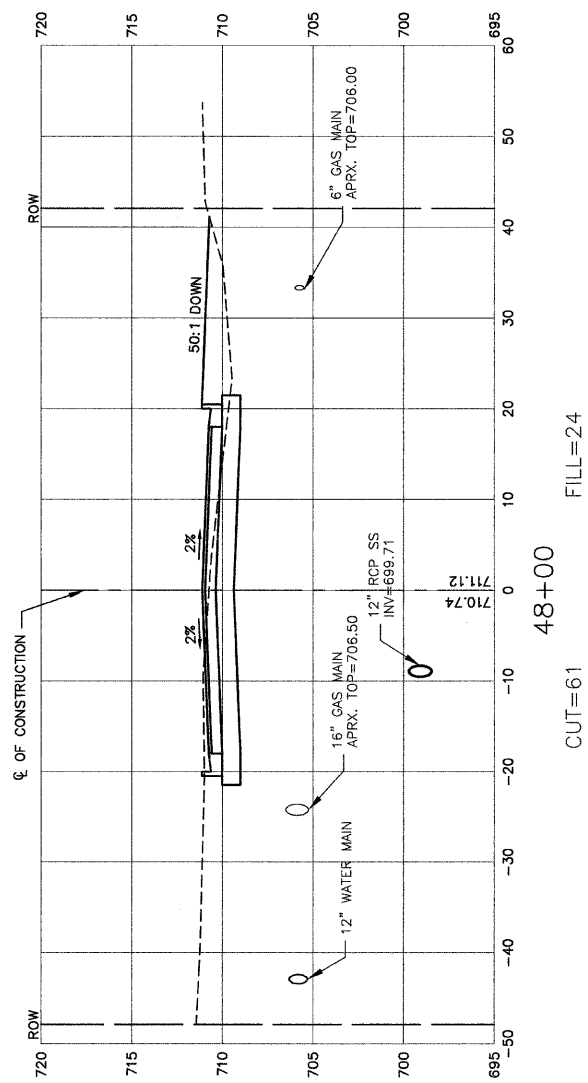


FAU. RTE.	SECTION	COUNTY	TOTAL SHEETS	SHEET NO.
0285	01-00052-00-FP	WILL	71	58
STA. 48+00		TO STA. 49+00		
FED. ROAD DIST. NO. 1	ILLINOIS	FED. AID PROJECT		

CONTRACT NO. 83956



REVISIONS	
NAME	DATE

ILLINOIS DEPARTMENT OF TRANSPORTATION

151ST STREET IMPROVEMENT
CROSS SECTIONS
151ST STREET

SCALE: VERT. 1"=5'
HORIZ. 1"=10'
DATE 11-21-07

DRAWN BY RG/DC
CHECKED BY JMN