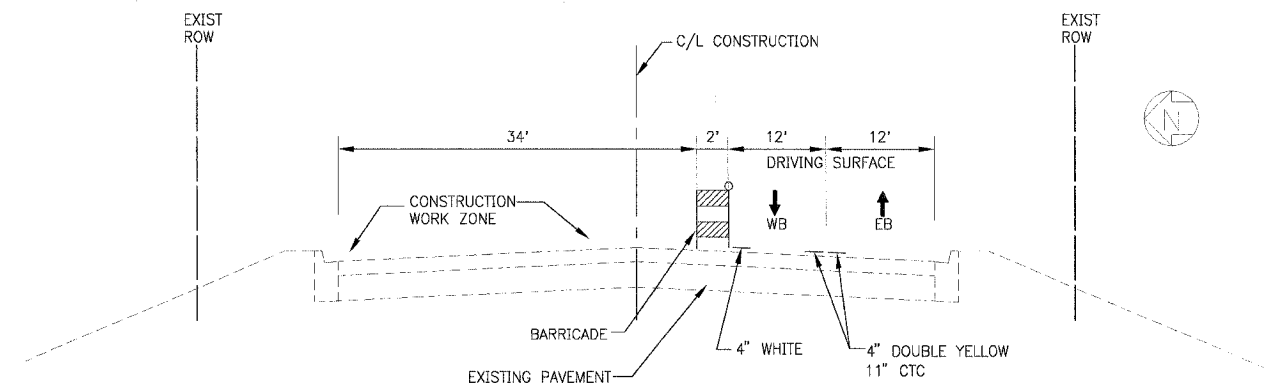
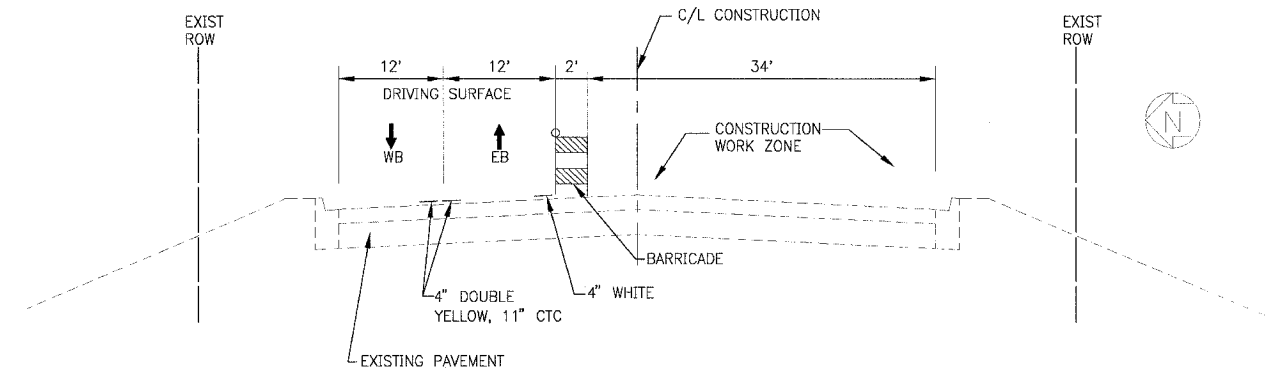


F.A.U. RTE.	SECTION	COUNTY	TOTAL SHEETS	SHEET NO.
2619	06-0096-00-RS	DUPAGE	24	13
STA.		TO STA.		
FED. ROAD DIST. NO C-91-100-07		ILLINOIS	FED AID PROJECT M-8003 (736)	

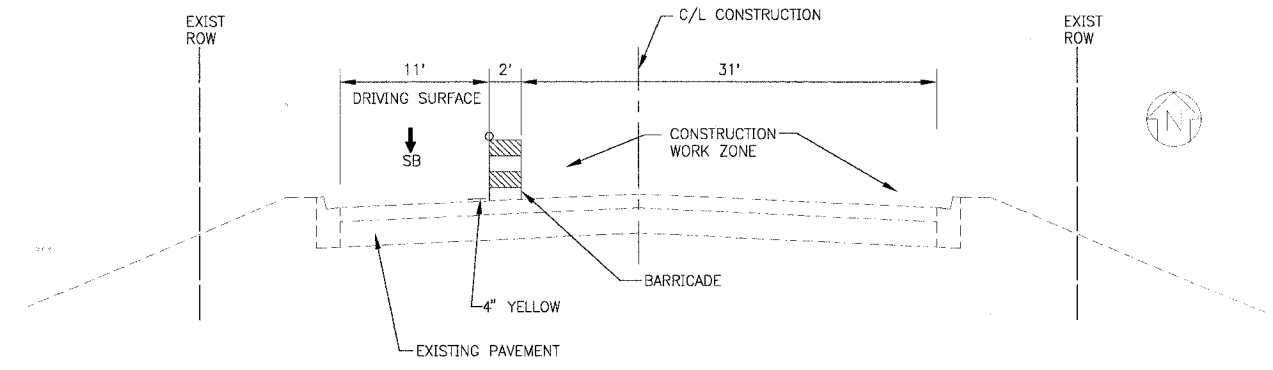
CONTRACT NO.: 83990



**STAGE I TYPICAL SECTION
FULLERTON AVENUE**



**STAGE II TYPICAL SECTION
FULLERTON AVENUE**



**STAGE I, II, III TYPICAL SECTION
GRACE STREET**

MAINTENANCE OF TRAFFIC AND CONSTRUCTION STAGING

CONSTRUCTION HOURS.
CONSTRUCTION ACTIVITY WITHIN THE PROJECT LIMITS SHALL OCCUR BETWEEN 7:00 AM AND 7:00 PM IN ACCORDANCE WITH THE VILLAGE ORDINANCE.

EMERGENCY SERVICES NOTIFICATION.
EMERGENCY ACCESS SHALL BE MAINTAINED AT ALL TIMES.

THE CONTRACTOR SHALL ADVISE ALL EMERGENCY RESPONDERS A MINIMUM OF 3 DAYS IN ADVANCE OF CONSTRUCTION ACTIVITIES WHICH IMPACT ALL EMERGENCY SERVICES. THIS WILL INCLUDE, BUT IS NOT LIMITED TO, THE ADDISON FIRE DEPARTMENT.

GENERAL NOTES

1. THE CONTRACTOR SHALL MAINTAIN EXISTING LANE WIDTHS FOR TRAFFIC FLOW THROUGHOUT THE DURATION OF THE CONTRACT UNLESS OTHERWISE DETERMINED BY THE ENGINEER.
2. ALL SIDE STREETS SHALL BE OPEN TO TRAFFIC THROUGHOUT THE DURATION OF THE CONTRACT.
3. DURING FULLERTON AVENUE WATERMAIN WORK, THE VILLAGE WILL OPERATE THE FULLERTON/GRACE AND FULLERTON/LA LONDE TRAFFIC SIGNALS IN FLASHING RED/STOP CONTROL MODE.
4. THE CONTRACTOR SHALL NOTIFY THE VILLAGE A MINIMUM OF 72 HOURS PRIOR TO CONSTRUCTION OPERATIONS INVOLVING THE TEMPORARY CLOSING OF DRIVES OR THE ROADWAY. THE CONTRACTOR SHALL PROVIDE A 48-HOUR NOTICE TO AFFECTED PARTIES BY DISTRIBUTING WRITTEN NOTICES AND/OR POSTING SIGNS.
5. BUSINESSES SHALL HAVE ACCESS TO THEIR DRIVES.
6. THE ENGINEER SHALL BE INFORMED 72-HOURS IN ADVANCE OF ANY CHANGE IN CONSTRUCTION STAGING.
7. TYPE I BARRICADES, BARRELS AND VERTICAL PANELS SHALL BE EQUIPPED WITH MONO-DIRECTIONAL STEADY BURN LIGHTS AND SHALL BE PLACED AT 50-FOOT INTERVALS ALONG THE PROPOSED CONSTRUCTION ZONE AND 25-FOOT INTERVALS WITHIN TAPER SECTIONS OR AS DETERMINED BY THE ENGINEER.
8. UTILIZE SHORT TERM PAVEMENT MARKINGS ON FULLERTON AVENUE AND GRACE STREET. SHORT-TERM PAVEMENT MARKINGS SHALL NOT DAMAGE EXISTING PAVEMENT MARKINGS TO REMAIN. ANY AND ALL REPLACEMENT OF EXISTING PAVEMENT MARKINGS, AS DETERMINED BY THE ENGINEER, SHALL BE INCLUDED IN THE COST FOR TRAFFIC CONTROL DETOUR.
9. ALL SHORT-TERM PAVEMENT MARKINGS SHOWING DETERIORATION SHALL BE REPLACED BY THE CONTRACTOR AS DETERMINED BY THE ENGINEER. ALL MARKINGS REQUIRING REPLACEMENT SHALL BE REPLACED BY THE CONTRACTOR AT HIS OWN EXPENSE.
10. THE FURNISHING, INSTALLING AND RELOCATION OF ALL TRAFFIC SIGNS SHALL BE INCLUDED IN THE COST FOR TRAFFIC CONTROL AND PROTECTION. ALL CONFLICTING TRAFFIC SIGNS SHALL BE COVERED AS DETERMINED BY THE ENGINEER. THIS SHALL BE INCLUDED IN THE COST FOR TRAFFIC CONTROL DETOUR.
11. CONTRACTOR SHALL ESTABLISH A 30 MPH CONSTRUCTION ZONE SPEED LIMIT.

SUGGESTED CONSTRUCTION STAGING

- STAGE I:** INSTALL TRAFFIC DETOUR. SET GRACE STREET AND FULLERTON AVENUE AND LA LONDE AVENUE AND FULLERTON AVENUE INTERSECTION TRAFFIC SIGNALS TO FLASHING RED/STOP CONTROL MODE. SET UP LANE CLOSURE AND SIGNAGE ON FULLERTON AVENUE PER HIGHWAY STANDARDS. MOVE TRAFFIC TO SOUTH SIDE OF FULLERTON AVENUE. INSTALL WATER MAIN ON THE NORTH SIDE OF FULLERTON AVENUE. PROVIDE TEMPORARY PAVEMENT ON ALL TRENCHES.
- STAGE II:** SWITCH FULLERTON AVENUE TRAFFIC TO NORTH SIDE OF PAVEMENT PER HIGHWAY STANDARDS. INSTALL WATER MAIN ON THE SOUTH SIDE OF FULLERTON AVENUE. PROVIDE TEMPORARY PAVEMENT ON ALL TRENCHES. OPEN FULLERTON AVENUE TO TRAFFIC AND RESTORE ALL TRAFFIC SIGNALS TO NORMAL OPERATION.
- STAGE III:** INSTALL WATER MAIN ON GRACE STREET. PROVIDE TEMPORARY PAVEMENT ON ALL TRENCHES. REMOVE GRACE STREET TRAFFIC DETOUR.
- STAGE IV:** COMPLETE CURB REMOVAL AND REPLACEMENT, MILLING, PATCHING, RESURFACING AND PAVEMENT MARKINGS.

I:\ADDM\060486 - Grace STP (JAPP)\DWG\060486-MAINT-TRFC-STC-NIES.dwg - SH13
 Plotted: 11-20-07 @ 2:59pm By: 560kar
 Copyright © 2007, By: Baxter & Woodman, Inc.
 State of Illinois - Professional Design Firm
 License No. - 194-001121 - Expires 4-30-07

	REVISIONS		VILLAGE OF ADDISON, ILLINOIS FAU ROUTE 2619 GRACE STREET MAINTENANCE OF TRAFFIC AND CONSTRUCTION STAGING
	NAME	DATE	
	VILLAGE REVIEW	7-30-07	
	IDOT REVIEW	11-16-07	
PROJECT NO. 060486.40		DESIGNED BY: MWP	CHECKED BY: MWP
SCALE:		DRAWN BY: UKB	
DATE: 7-27-07			