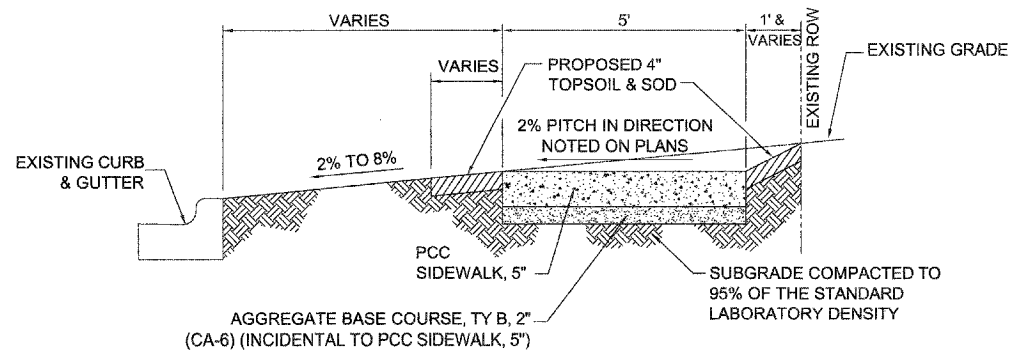


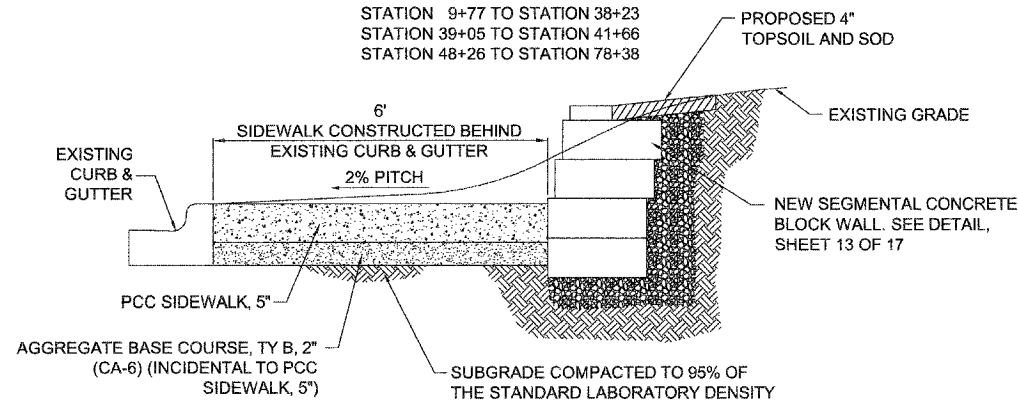
DATE	
BY	
REVISIONS	
NO. 1	
NO. 2	
NO. 3	
NO. 4	
NO. 5	
NO. 6	
NO. 7	
NO. 8	
NO. 9	
NO. 10	
NO. 11	
NO. 12	
NO. 13	
NO. 14	
NO. 15	
NO. 16	
NO. 17	
NO. 18	
NO. 19	
NO. 20	
NO. 21	
NO. 22	
NO. 23	
NO. 24	
NO. 25	
NO. 26	
NO. 27	
NO. 28	
NO. 29	
NO. 30	
NO. 31	
NO. 32	
NO. 33	
NO. 34	
NO. 35	
NO. 36	
NO. 37	
NO. 38	
NO. 39	
NO. 40	
NO. 41	
NO. 42	
NO. 43	
NO. 44	
NO. 45	
NO. 46	
NO. 47	
NO. 48	
NO. 49	
NO. 50	
NO. 51	
NO. 52	
NO. 53	
NO. 54	
NO. 55	
NO. 56	
NO. 57	
NO. 58	
NO. 59	
NO. 60	
NO. 61	
NO. 62	
NO. 63	
NO. 64	
NO. 65	
NO. 66	
NO. 67	
NO. 68	
NO. 69	
NO. 70	
NO. 71	
NO. 72	
NO. 73	
NO. 74	
NO. 75	
NO. 76	
NO. 77	
NO. 78	
NO. 79	
NO. 80	
NO. 81	
NO. 82	
NO. 83	
NO. 84	
NO. 85	
NO. 86	
NO. 87	
NO. 88	
NO. 89	
NO. 90	
NO. 91	
NO. 92	
NO. 93	
NO. 94	
NO. 95	
NO. 96	
NO. 97	
NO. 98	
NO. 99	
NO. 100	

DATE	
BY	
REVISIONS	
NO. 1	
NO. 2	
NO. 3	
NO. 4	
NO. 5	
NO. 6	
NO. 7	
NO. 8	
NO. 9	
NO. 10	
NO. 11	
NO. 12	
NO. 13	
NO. 14	
NO. 15	
NO. 16	
NO. 17	
NO. 18	
NO. 19	
NO. 20	
NO. 21	
NO. 22	
NO. 23	
NO. 24	
NO. 25	
NO. 26	
NO. 27	
NO. 28	
NO. 29	
NO. 30	
NO. 31	
NO. 32	
NO. 33	
NO. 34	
NO. 35	
NO. 36	
NO. 37	
NO. 38	
NO. 39	
NO. 40	
NO. 41	
NO. 42	
NO. 43	
NO. 44	
NO. 45	
NO. 46	
NO. 47	
NO. 48	
NO. 49	
NO. 50	
NO. 51	
NO. 52	
NO. 53	
NO. 54	
NO. 55	
NO. 56	
NO. 57	
NO. 58	
NO. 59	
NO. 60	
NO. 61	
NO. 62	
NO. 63	
NO. 64	
NO. 65	
NO. 66	
NO. 67	
NO. 68	
NO. 69	
NO. 70	
NO. 71	
NO. 72	
NO. 73	
NO. 74	
NO. 75	
NO. 76	
NO. 77	
NO. 78	
NO. 79	
NO. 80	
NO. 81	
NO. 82	
NO. 83	
NO. 84	
NO. 85	
NO. 86	
NO. 87	
NO. 88	
NO. 89	
NO. 90	
NO. 91	
NO. 92	
NO. 93	
NO. 94	
NO. 95	
NO. 96	
NO. 97	
NO. 98	
NO. 99	
NO. 100	



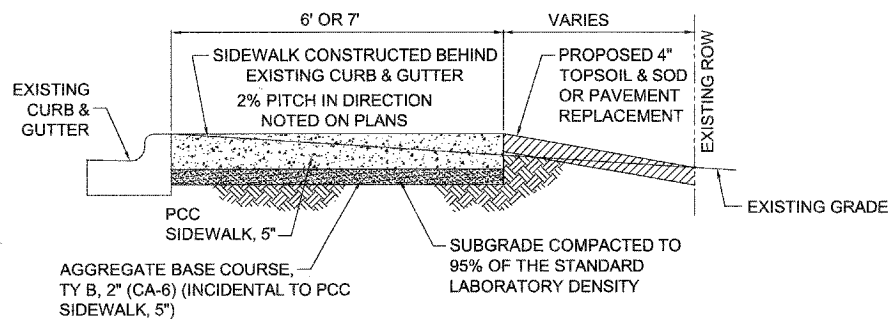
EXISTING & PROPOSED TYPICAL SECTION

NOT TO SCALE
SOUTH FRONTAGE ROAD
STATION 1+25 TO STATION 12+73
83rd STREET
STATION 9+77 TO STATION 38+23
STATION 39+05 TO STATION 41+66
STATION 48+26 TO STATION 78+38



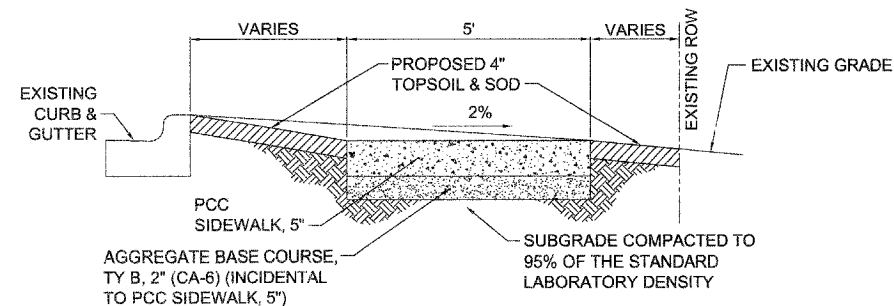
EXISTING & PROPOSED TYPICAL SECTION

NOT TO SCALE
83rd STREET
STATION 38+23 TO STATION 38+62



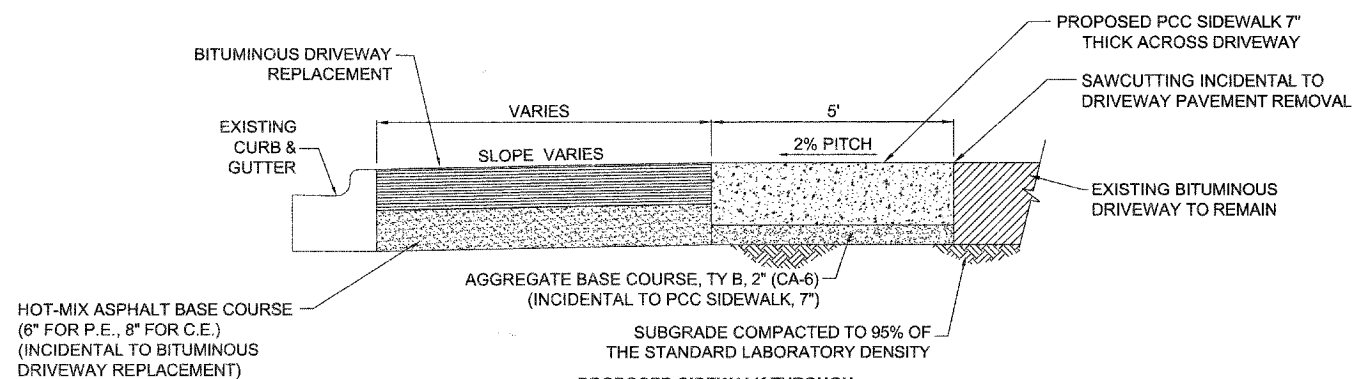
EXISTING & PROPOSED TYPICAL SECTION

NOT TO SCALE
SOUTH FRONTAGE ROAD
STATION 0+00 TO STATION 1+25
83rd STREET
STATION 38+62 TO STATION 39+05



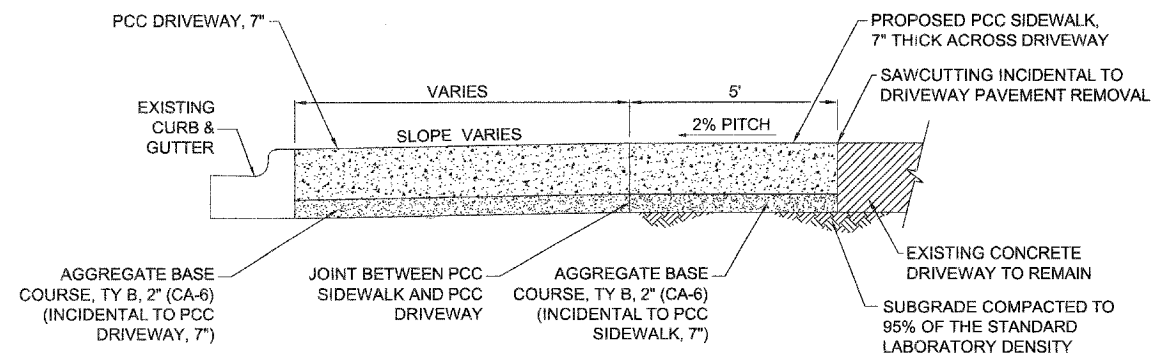
EXISTING & PROPOSED TYPICAL SECTION

NOT TO SCALE
83rd STREET
STATION 78+67 TO STATION 87+13



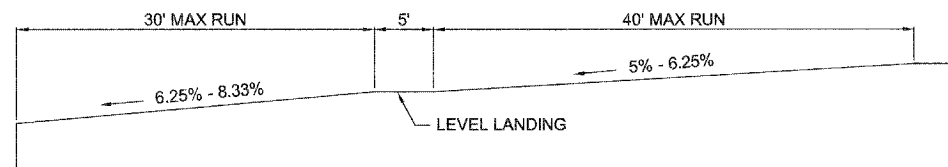
PROPOSED SIDEWALK THROUGH BITUMINOUS DRIVEWAY

NOT TO SCALE



PROPOSED SIDEWALK THROUGH PCC DRIVEWAY

NOT TO SCALE



ADA SLOPE REQUIREMENTS

NOT TO SCALE

FILE NAME =	USER NAME = \$USER\$	DESIGNED -	REVISED	STATE OF ILLINOIS DEPARTMENT OF TRANSPORTATION	SCALE: 1"=20'	SHEET NO. 12 OF 13 SHEETS	STA. TO STA.	F.A.U. RTE.	SECTION	COUNTY	TOTAL SHEETS	SHEET NO.
\$FILEL\$		DRAWN -	REVISED -					1552	07-00037-00-SW	DUPAGE	17	12
		CHECKED -	REVISED -					83rd STREET CONSTRUCTION				CONTRACT NO. 83996
		DATE -	REVISED -					ILLINOIS FED. AID PROJECT				