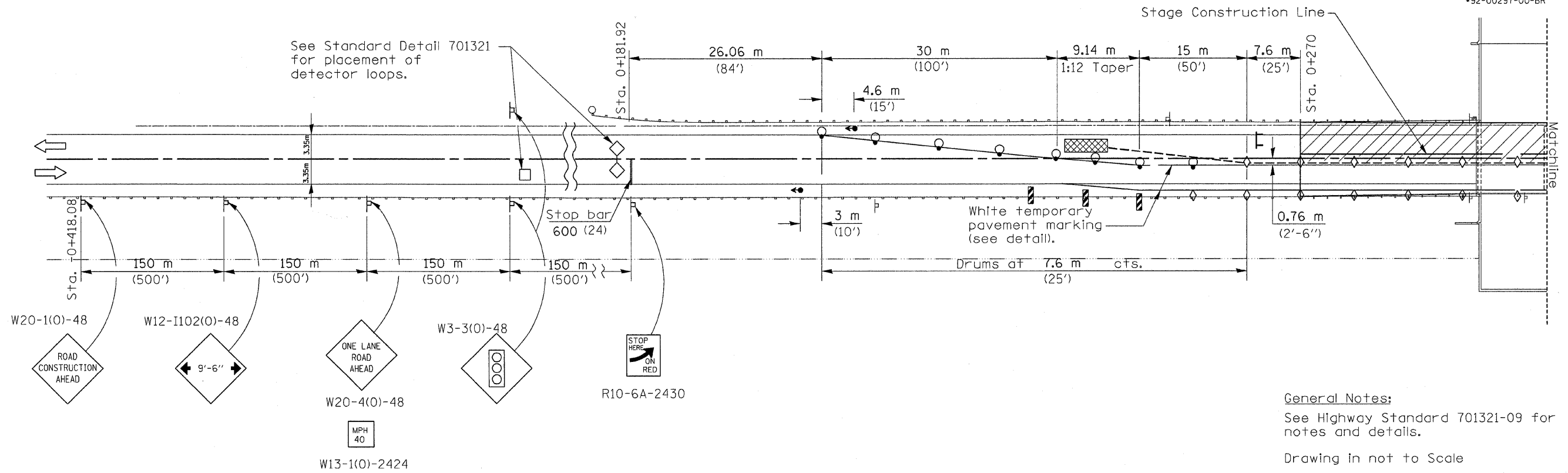


F.A. RTE.	SECTION	COUNTY	TOTAL SHEETS	SHEET NO.
204		ROCK ISLAND	31	4
STA. 0+270		TO STA. 0+340		
FED. ROAD DIST. NO. 7		ILLINOIS		FED. AID PROJECT

\*92-00297-00-BR

DATE	BY
FINAL SURVEY PLOTTED	
NOTE BOOK TEMPLATE	
AREAS CHECKED	



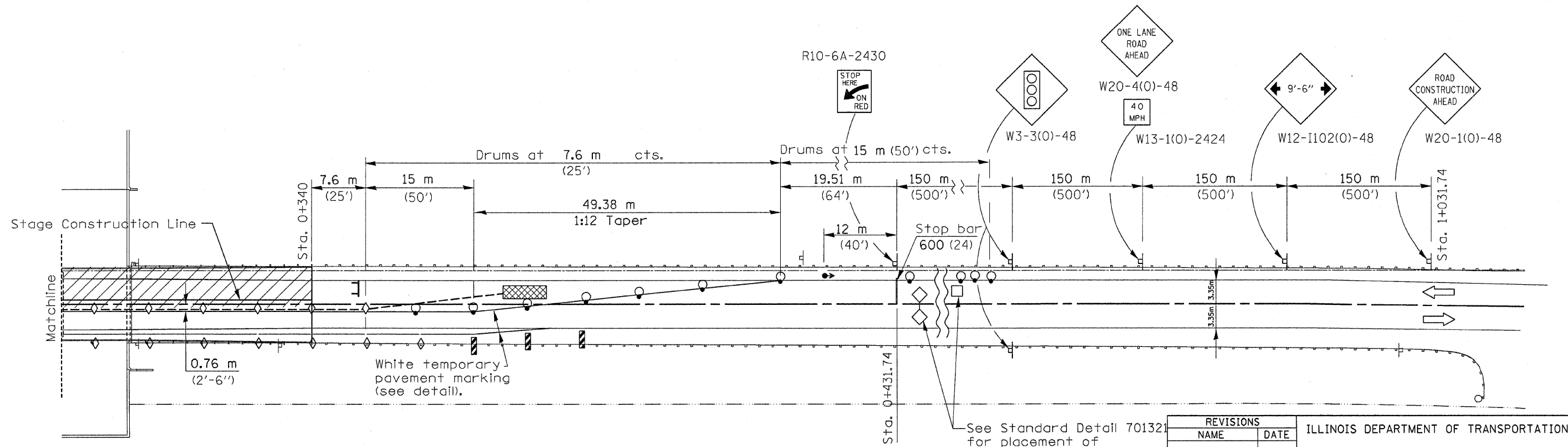
General Notes:

See Highway Standard 701321-09 for notes and details.

Drawing in not to Scale

Rumble Strips are not Required

DATE	BY
ORIGINAL SURVEY PLOTTED	
NOTE BOOK TEMPLATE	
AREAS CHECKED	
NO.	



See Standard Detail 701321 for placement of detector loops.

REVISIONS	
NAME	DATE

ILLINOIS DEPARTMENT OF TRANSPORTATION  
**STAGE 1 TRAFFIC CONTROL**  
 CH 59 OVER  
 LAKE GEORGE SPILLWAY  
 ROCK ISLAND COUNTY  
 DRAWN BY: RAP  
 CHECKED BY: JBF  
 DATE: JAN. 2008