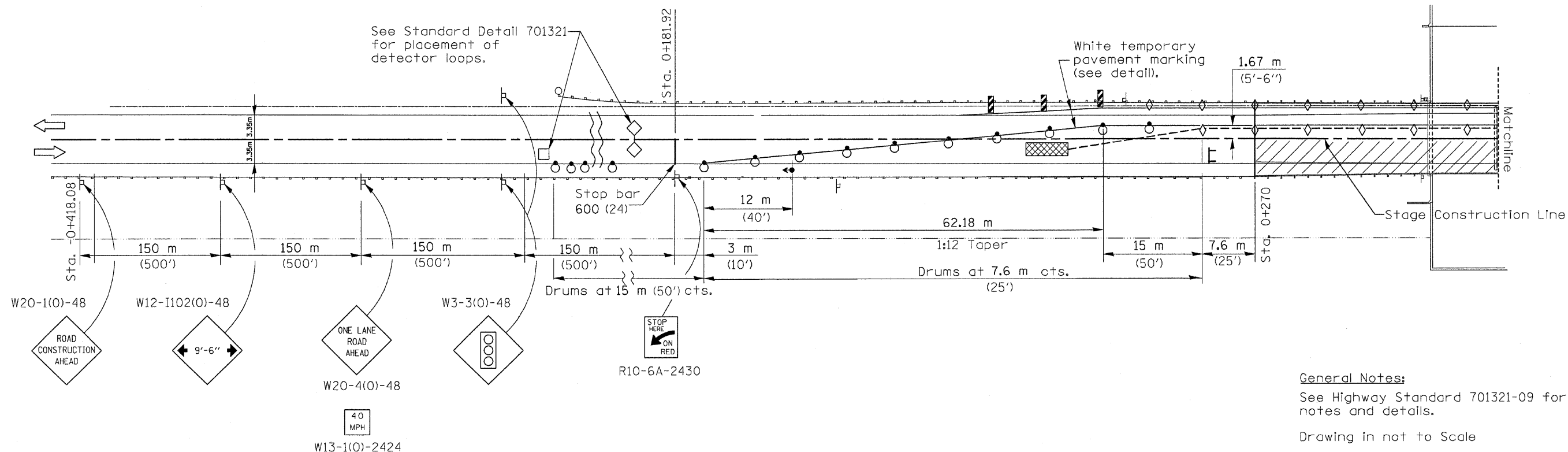


F.A. RTE.	SECTION	COUNTY	TOTAL SHEETS	SHEET NO.
204	*	ROCK ISLAND	31	5
STA. 0+270		TO STA. 0+340		
FED. ROAD DIST. NO. 7		ILLINOIS	FED. AID PROJECT	

•92-00297-00-BR

DATE	BY

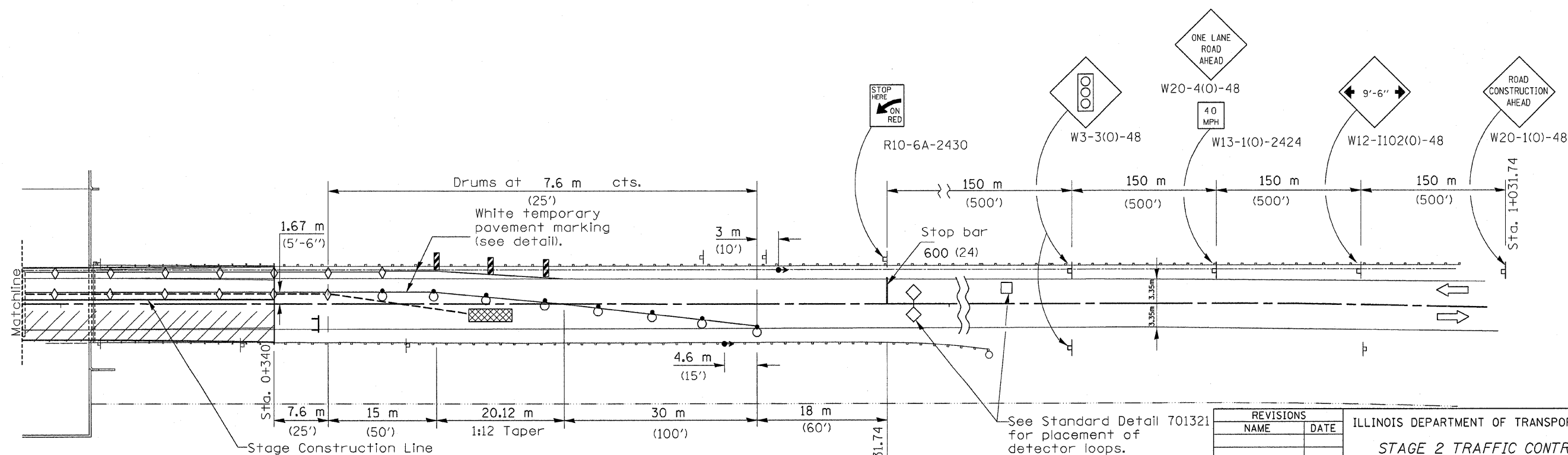
FINAL SURVEY PLOTTED	
NOTE BOOK TEMPLATE	
AREAS CHECKED	



**General Notes:**  
 See Highway Standard 701321-09 for notes and details.  
 Drawing in not to Scale  
 Rumble Strips are not Required

DATE	BY

ORIGINAL SURVEY PLOTTED	
NOTE BOOK TEMPLATE	
AREAS CHECKED	



See Standard Detail 701321 for placement of detector loops.

REVISIONS	
NAME	DATE

ILLINOIS DEPARTMENT OF TRANSPORTATION  
**STAGE 2 TRAFFIC CONTROL**  
 CH 59 OVER  
 LAKE GEORGE SPILLWAY  
 ROCK ISLAND COUNTY  
 DRAWN BY: RAP  
 CHECKED BY: JBF  
 DATE: JAN. 2008