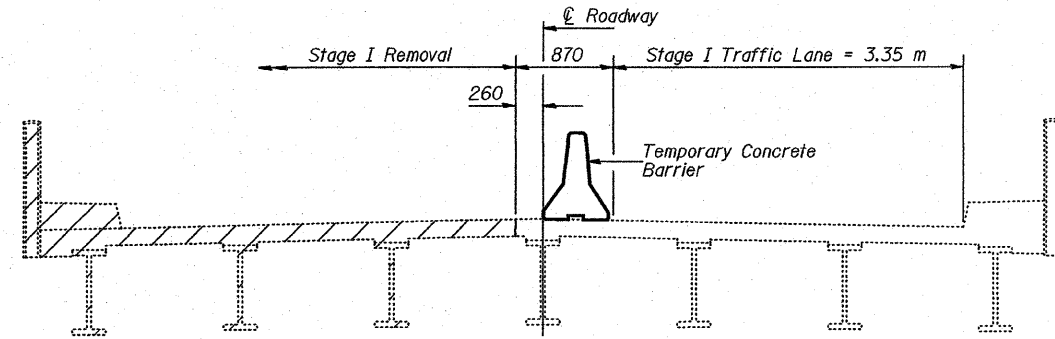


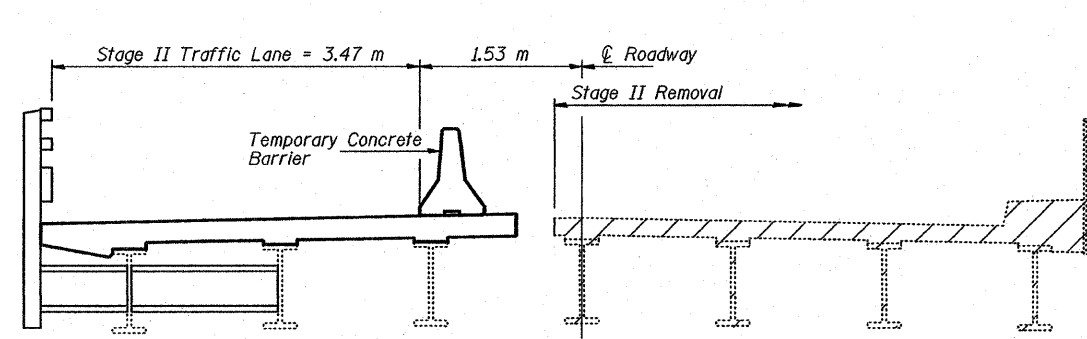
STATE OF ILLINOIS  
DEPARTMENT OF TRANSPORTATION

ROUTE NO.	SECTION	COUNTY	SHEET NO.	SHEET
FAS 204	*	ROCK ISLAND	31	10
FED. ROAD DIST. NO. 7		ILLINOIS	FED. AID PROJECT	
* 92-00297-00-BR				

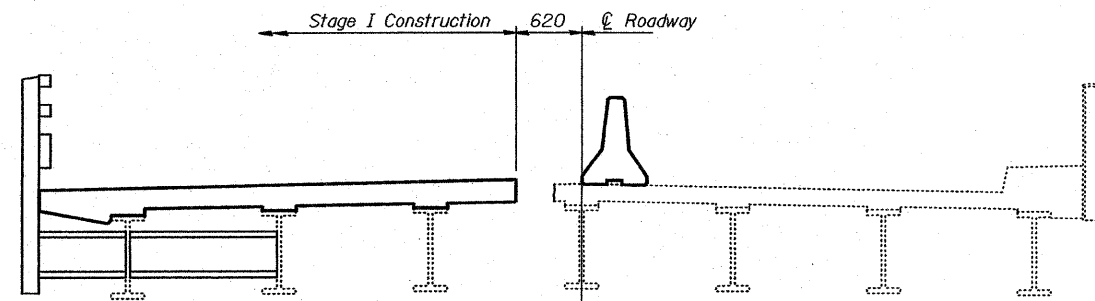
SHEET NO. 2  
14 SHEETS



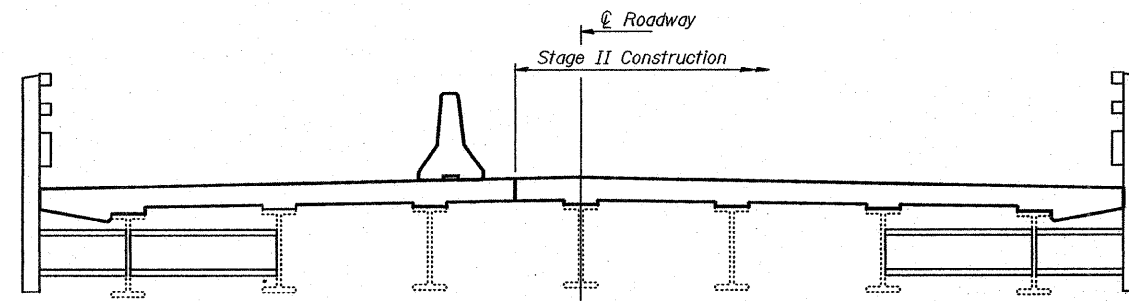
STAGE I REMOVAL



STAGE II REMOVAL



STAGE I CONSTRUCTION



STAGE II CONSTRUCTION

Notes: Hatched areas indicate Removal of Existing Concrete Deck.  
For details of Temporary Concrete Barrier see sheet 3 of 15.  
For quantity of Temporary Concrete Barrier see Roadway Plans.  
All cross sections are Looking East.  
**TEMPORARY CONCRETE BARRIER SHALL BE INCLUDED IN STD. 701321**

DESIGNED	SPN
CHECKED	TWH
DRAWN	R. Doty
CHECKED	SPN/TWH

Aug. 24, 2007  
EXAMINED *Thomas J. Damgalak*  
PASSED *Robert E. Anderson*  
ENGINEER OF BRIDGES AND STRUCTURES

STAGE CONSTRUCTION  
F.A.S. RT. 204 SEC. 92-00297-00-BR  
ROCK ISLAND COUNTY  
STA. 0+304.801