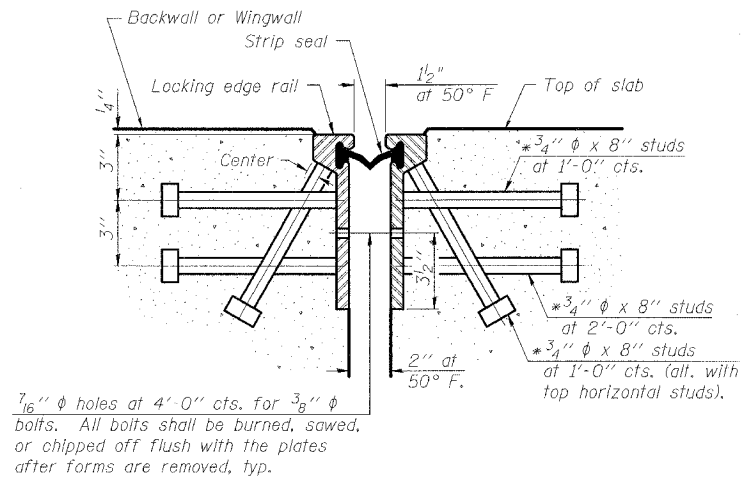
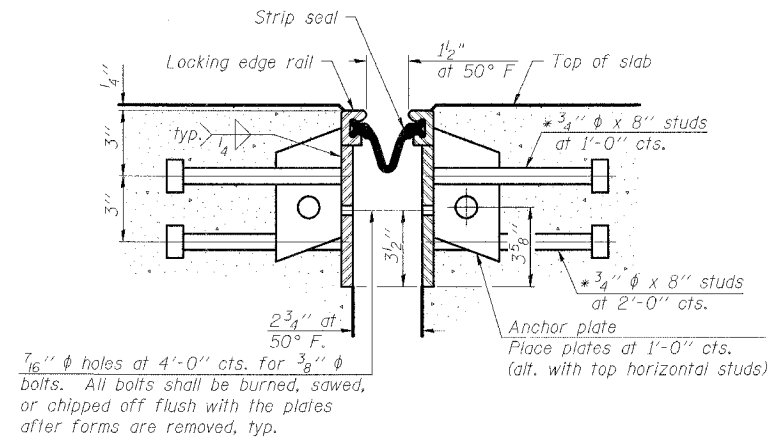


* Granular or solid flux filled headed studs conforming to Article 1006.32 of the Std. Specs., automatically end welded.



SECTION THRU ROLLED RAIL JOINT



SECTION THRU WELDED RAIL JOINT

Notes:

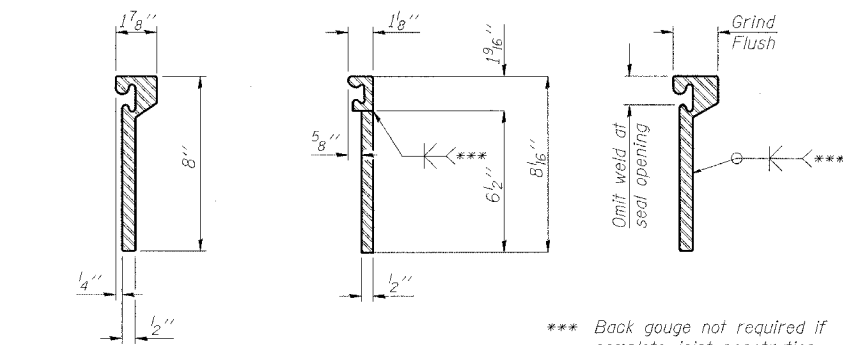
The strip seal shall be made continuous and shall have a minimum thickness of 1/4". The configuration of the strip seal shall match the configuration of the Locking Edge Rails. Open or "webbed" strip seal gland configurations are not permitted. The gland shall be sized for a maximum rated movement of 4 inches.

The height and thickness of the Locking Edge Rails shown are minimum dimensions. The actual configuration of the Locking Edge Rails and matching strip seal may vary from manufacturer to manufacturer. Flanged edge rails will not be allowed. Locking Edge Rails may be spliced at slope discontinuities and stage construction joints.

The manufacturer's recommended installation methods shall be followed.

The joint opening and deck dimensions detailed on the superstructure are based on a rolled rail expansion joint. If the Contractor elects to use the welded rail expansion joint, the opening and deck dimensions shall be modified according to the dimensions detailed on this sheet. Required modifications shall be made at no additional cost to the State.

All steel components shall be galvanized after fabrication according to Article 520.03 of the Standard Specifications.

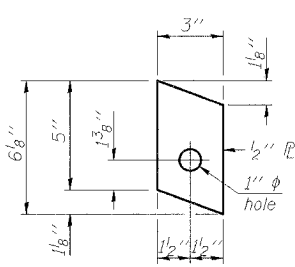


ROLLED (EXTRUDED) RAIL WELDED RAIL

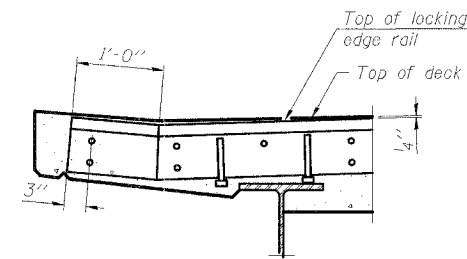
LOCKING EDGE RAIL SPLICE

The inside of the locking edge rail groove shall be free of weld residue.

LOCKING EDGE RAILS



ANCHOR PLATE
(for welded rail)



TYPICAL END TREATMENT

BILL OF MATERIAL

Item	Unit	Total
Preformed Joint Strip Seal	Foot	68

DESIGNED	KMA
CHECKED	AEU
DRAWN	WJH
CHECKED	RGD

LASALLE COUNTY HIGHWAY DEPARTMENT

EXPANSION JOINT DETAILS

LASALLE STREET
OVER SOMONAUK CREEK
VILLAGE OF SOMONAUK
SECTION NO. 05-00627-00-BR
STRUCTURE NO. 050-3057

DATE 11-16-2007

Illinois Professional Design Firm # 184-00108
SEC GROUP, INC.
Soth Engineering Consultants • SEC Automation • SEC Planning
4630 Prime Parkway, Mokena, IL 60450
T 815.385.1778 F 815.385.1781
www.secgroupinc.com eng@secgroupinc.com