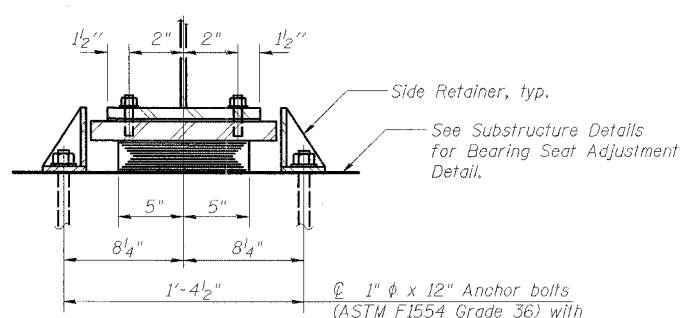
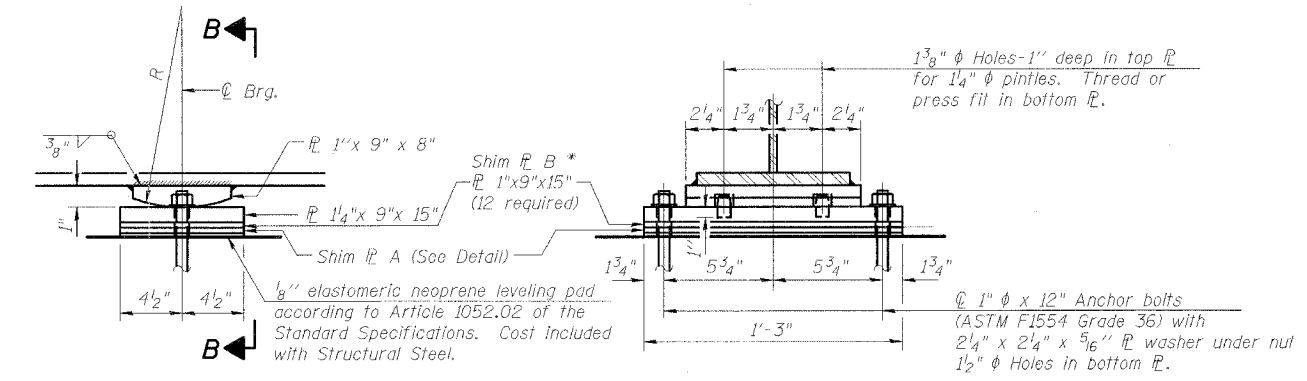


ELEVATION AT ABUT.



SECTION A-A

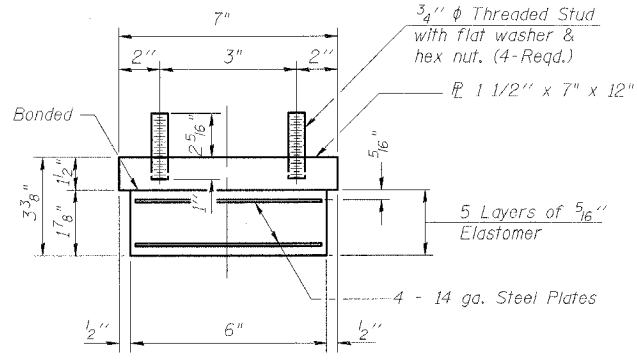


ELEVATION AT PIERS 1, 2, 3

SECTION B-B

TYPE I ELASTOMERIC EXP. BRG.

(12 Required)



BEARING ASSEMBLY

Note:
Shim plates shall not be placed under Bearing Assembly.

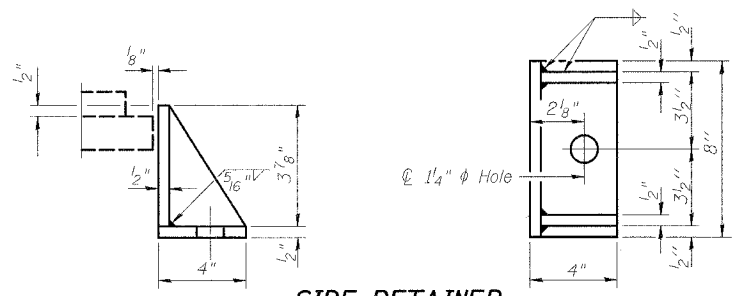
Notes:
Anchor bolts shall be ASTM F1554 all-thread (or an Engineer-approved alternate material) of the grade(s) and diameter(s) specified. ASTM A307 Grade C anchor bolts may be used in lieu of ASTM F1554 Grade 36 (Fy=36ksi). The corresponding specified grade of AASHTO M314 anchor bolts may be used in lieu of ASTM F1554.

Drilled and set anchor bolts shall be installed according to Article 521.06 of the Standard Specifications.
Side retainers and other steel members required for the bearing assembly shall be included in the cost of Elastomeric Bearing Assembly, Type I.

The structural steel plates of the Bearing Assembly shall conform to the requirements of AASHTO M 270 Grade 50.

Two 1/8 in. adjusting shims shall be provided for each bearing in addition to all other plates or shims and placed as shown on bearing details.

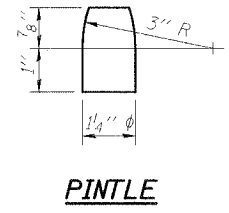
The Contractor shall not order bearing materials until the existing bearing seat elevations have been field verified. Coordinate with deck, steel, and substructure details.



SIDE RETAINER

Equivalent rolled angle with stiffeners will be allowed in lieu of welded plates.

DESIGNED	KMA
CHECKED	AEU
DRAWN	WJH
CHECKED	RGD

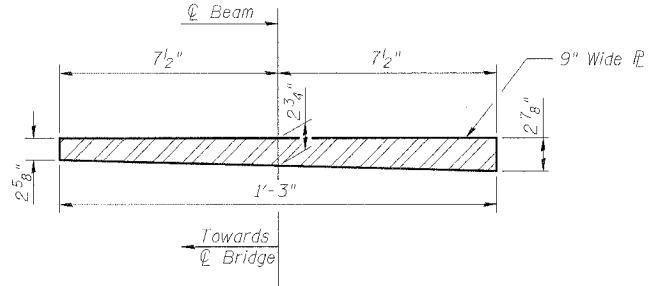


PINTLE

FIXED BEARING

(18 Required)

* Shim Plate B required at Piers 1 and 2 only



FIXED BEARING SHIM PLATE "A" DETAIL

(18 Required)

BILL OF MATERIAL

Item	Unit	Total
Elastomeric Bearing Assembly Type I	Each	12
Anchor Bolts 1" phi	Each	60

LASALLE COUNTY HIGHWAY DEPARTMENT

BEARING DETAILS

LASALLE STREET
OVER SOMONAUK CREEK
VILLAGE OF SOMONAUK
SECTION NO. 05-00627-00-BR
STRUCTURE NO. 050-3057

DATE 11-16-2007