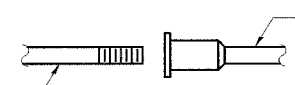
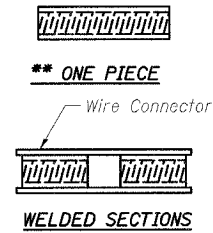


The diameter of this part is the same as the diameter of the bar spliced.

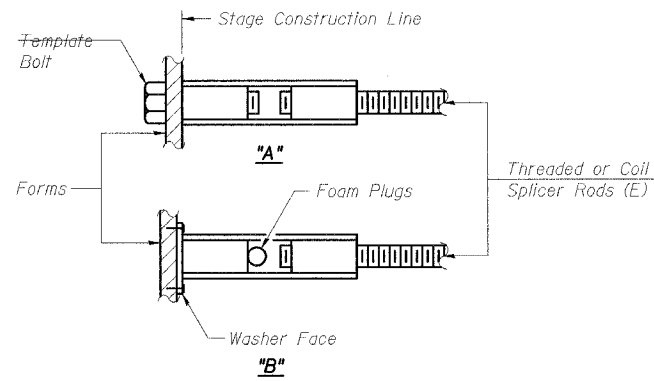


ROLLED THREAD DOWEL BAR



BAR SPLICER ASSEMBLY ALTERNATIVES

** Heavy Hex Nuts conforming to ASTM A 563, Grade C, D or DH may be used.



INSTALLATION AND SETTING METHODS

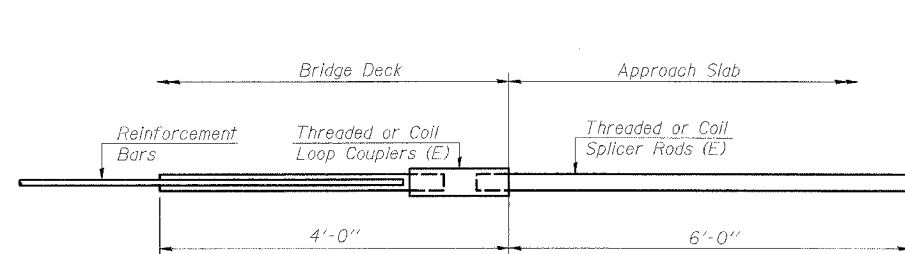
"A" : Set bar splicer assembly by means of a template bolt.
 "B" : Set bar splicer assembly by nailing to wood forms or cementing to steel forms.
 (E) : Indicates epoxy coating.

NOTES

Bar splicer assemblies shall be of an approved type and shall develop in tension at least 125 percent of the yield strength of the lapped reinforcement bars.
 Splicer rods shall be of minimum 60 ksi yield strength, threaded or coiled full length.
 All reinforcement bars shall be lapped and tied to the splicer rods or dowel bars.
 Bar splicer assemblies shall be epoxy coated according to the requirements for reinforcement bars.
 Other systems of similar design may be submitted to the Engineer for approval. Approval shall be based on certified test results from an approved testing laboratory that the proposed bar splicer assembly satisfies the following requirements:

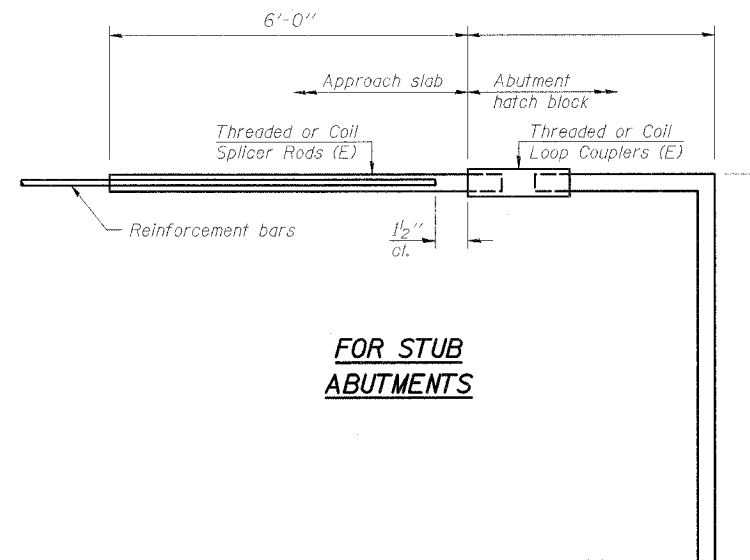
- ① Minimum Capacity (Tension in kips) = $1.25 \times f_y \times A_s$
 - ② Minimum *Pull-out Strength (Tension in kips) = $0.66 \times f_y \times A_s$
- Where f_y = Yield strength of lapped reinforcement bars in ksi.
 A_s = Tensile stress area of lapped reinforcement bars.
 * = 28 day concrete

Bar Size to be Spliced	Splicer Rod or Dowel Bar Length	Strength Requirements	
		Min. Capacity kips - tension	Min. Pull-Out Strength kips - tension
#4	1'-8"	14.7	7.9
#5	2'-0"	23.0	12.3
#6	2'-7"	33.1	17.4
#7	3'-5"	45.1	23.8
#8	4'-6"	58.9	31.3
#9	5'-9"	75.0	39.6
#10	7'-3"	95.0	50.3
#11	9'-0"	117.4	61.8



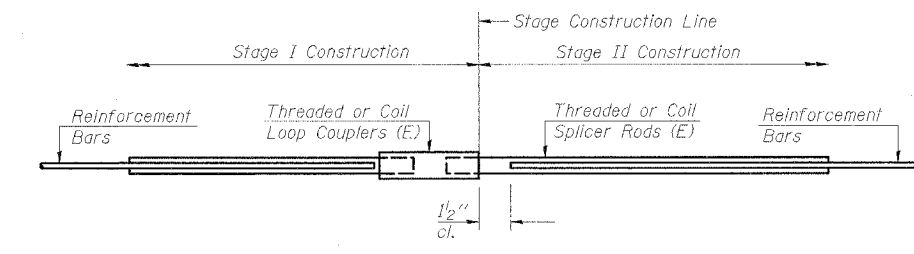
FOR INTEGRAL OR SEMI-INTEGRAL ABUTMENTS

Bar Splicer for #5 bar	
Min. Capacity =	23.0 kips - tension
Min. Pull-out Strength =	12.3 kips - tension
No. Required =	



FOR STUB ABUTMENTS

Bar Splicer for #5 bar	
Min. Capacity =	23.0 kips - tension
Min. Pull-out Strength =	12.3 kips - tension
No. Required =	



STANDARD

Bar Size	No. Assemblies Required	Location
#5	374	Deck, Abut.
#6	8	Abut.

DESIGNED	KMA
CHECKED	AEU
DRAWN	WJH
CHECKED	RGD



Illinois Professional Design Firm # 184-000108

SEC GROUP, INC.

Smith Engineering Consultants • SEC Automation • SEC Planning

4500 Prairie Parkway, Mokena, IL 60050

L 815.385.1778 | F 815.385.1781

www.secgroupinc.com | engineering@secgroupinc.com

LASALLE COUNTY HIGHWAY DEPARTMENT

BAR SPLICER ASSEMBLY DETAILS

LASALLE STREET
OVER SOMONAUK CREEK
VILLAGE OF SOMONAUK
SECTION NO. 05-00627-00-BR
STRUCTURE NO. 050-3057

DATE 11-16-2007

COMPANY NAME: Smith
 CLIENT: ASHLAND
 PROJECT: BRIDGE
 DATE: 11/16/07