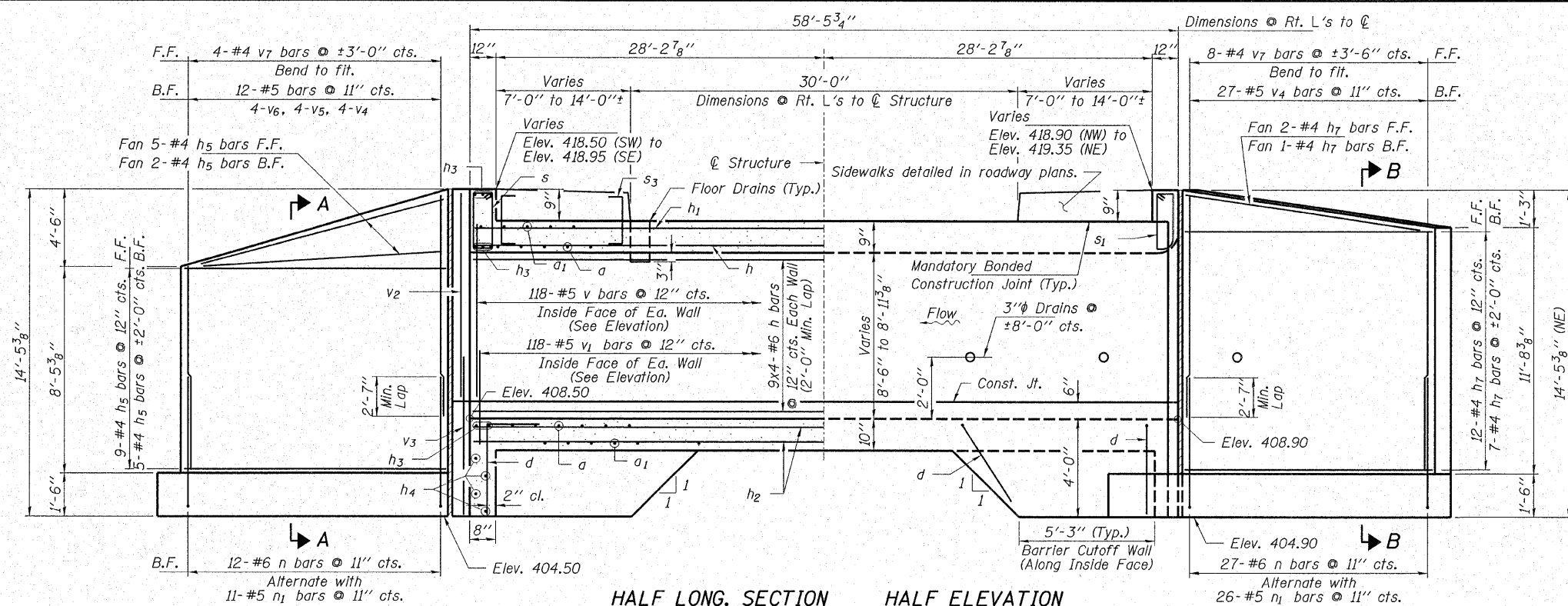
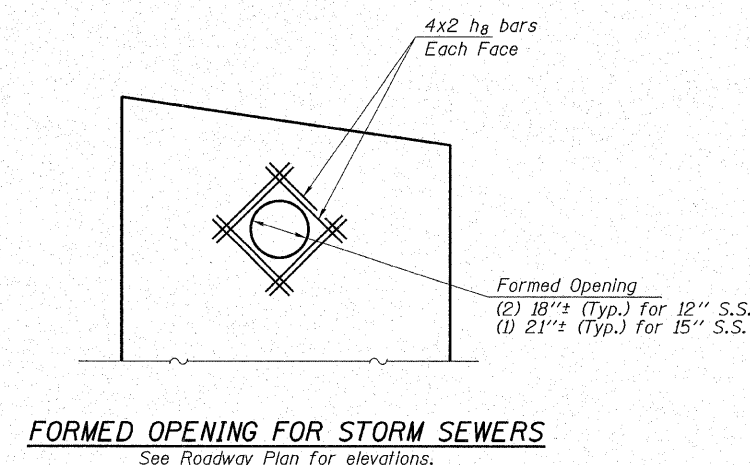


ROUTE NO.	SECTION	CITY	TOTAL SHEETS	SHEET NO.
F.A.U. 8694	06-00045-00-BR	FAIRFIELD	16	10
FED. ROAD DIST. NO.		ILLINOIS	FED. AID PROJECT	



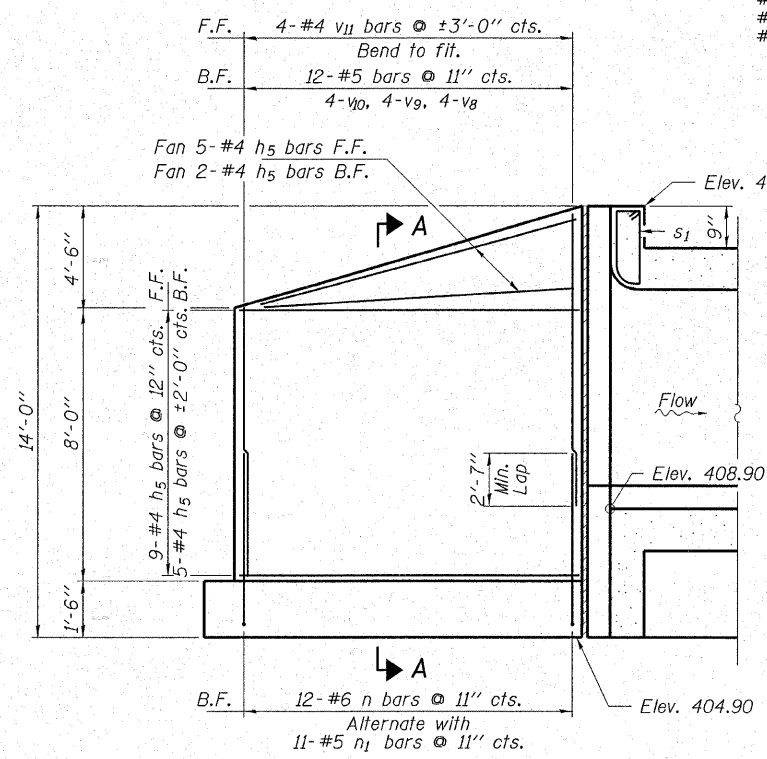
**HALF LONG SECTION      HALF ELEVATION**  
 Showing reinforcement      Showing outlines  
 Dimensions are at Right Angles to  $\varnothing$  Structure.  
 (Looking West)



**REINFORCEMENT - SOUTHEAST WINGWALL**

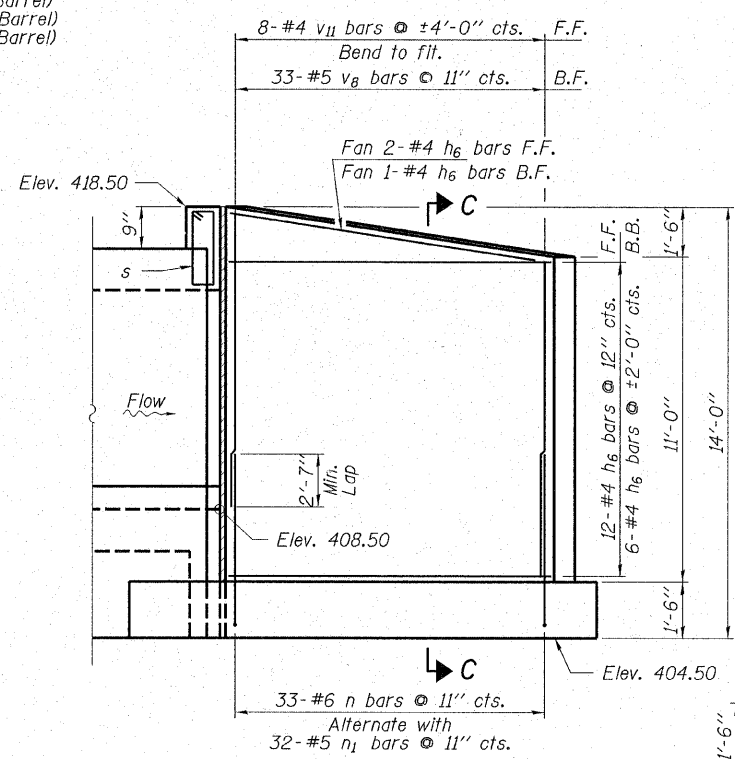
**REINFORCEMENT - NORTHEAST WINGWALL**

**MIN. BAR LAP**  
 #4 - 1'-4" (Barrel)  
 #6 - 2'-0" (Barrel)  
 #8 - 3'-8" (Barrel)

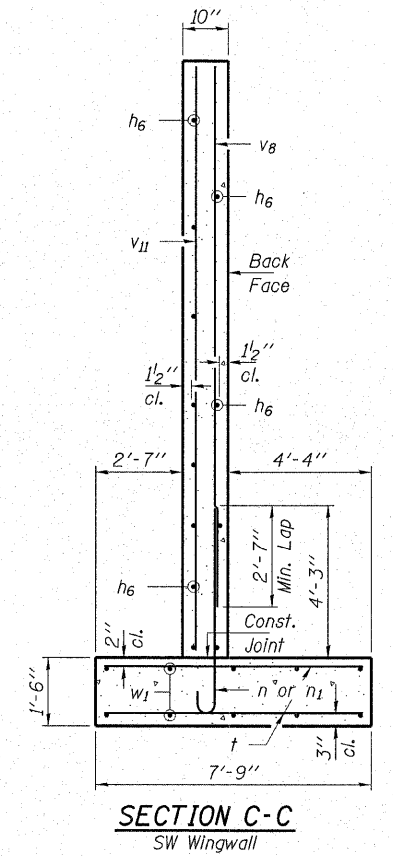
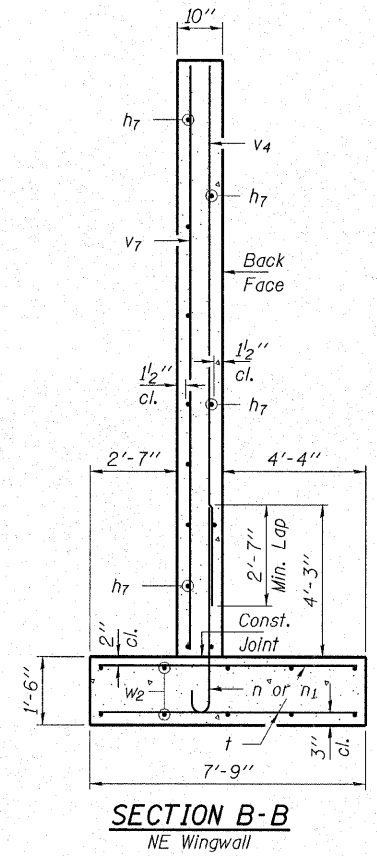
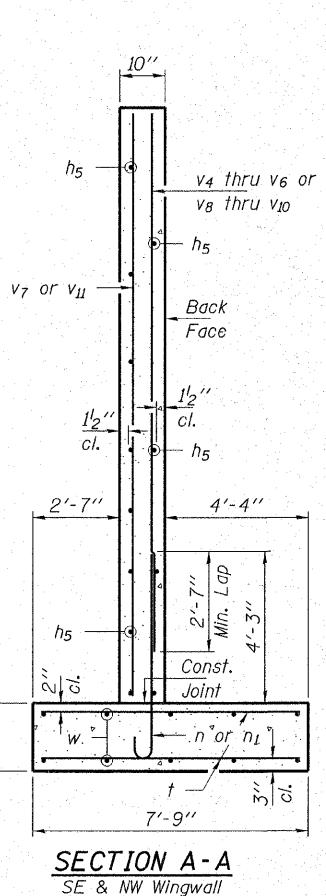


**REINFORCEMENT - NORTHWEST WINGWALL**

(Looking East)



**REINFORCEMENT - SOUTHWEST WINGWALL**



**HAMPTON, LENZINI & RENWICK, INC.**  
 CIVIL & STRUCTURAL ENGINEERS  
 LAND SURVEYORS

3085 STEVENSON DRIVE, SUITE 201  
 SPRINGFIELD, ILLINOIS 62703  
 (217) 546-3400

**ELGIN      SPRINGFIELD**

PROJECT NUMBER: 12-97-0008-1      DATE: 03/20/07  
 DESIGNED: S.M.S.      CHECKED: S.W.M.      DRAWN: D.A.B.

**CULVERT DETAILS**  
**SECTION 06-00045-00-BR**  
 CITY OF FAIRFIELD  
 F.A.U. 8694 / WASHINGTON STREET  
 STRUCTURE NO. 096-6011 / STATION 3+34