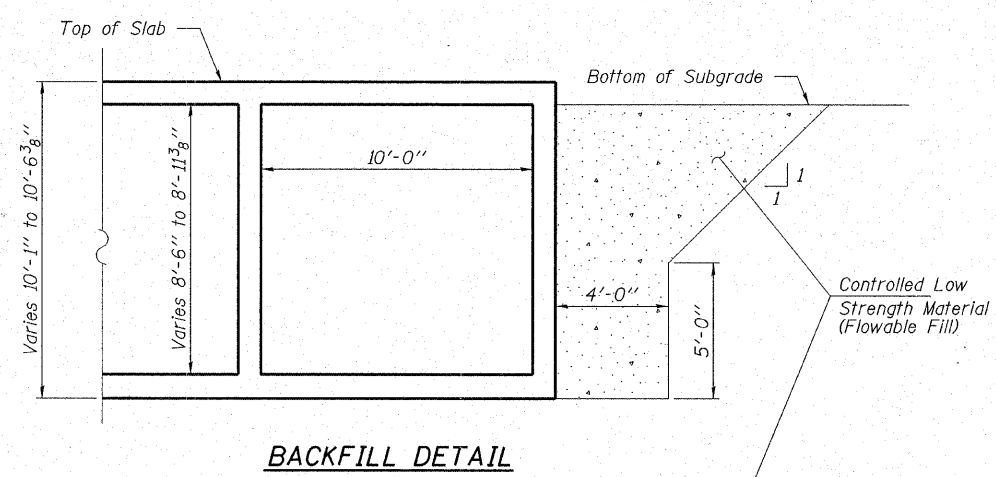
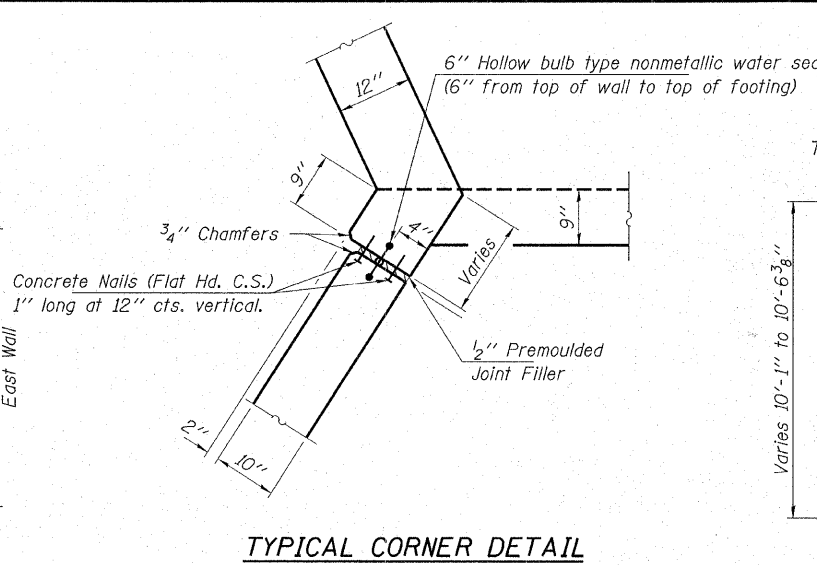
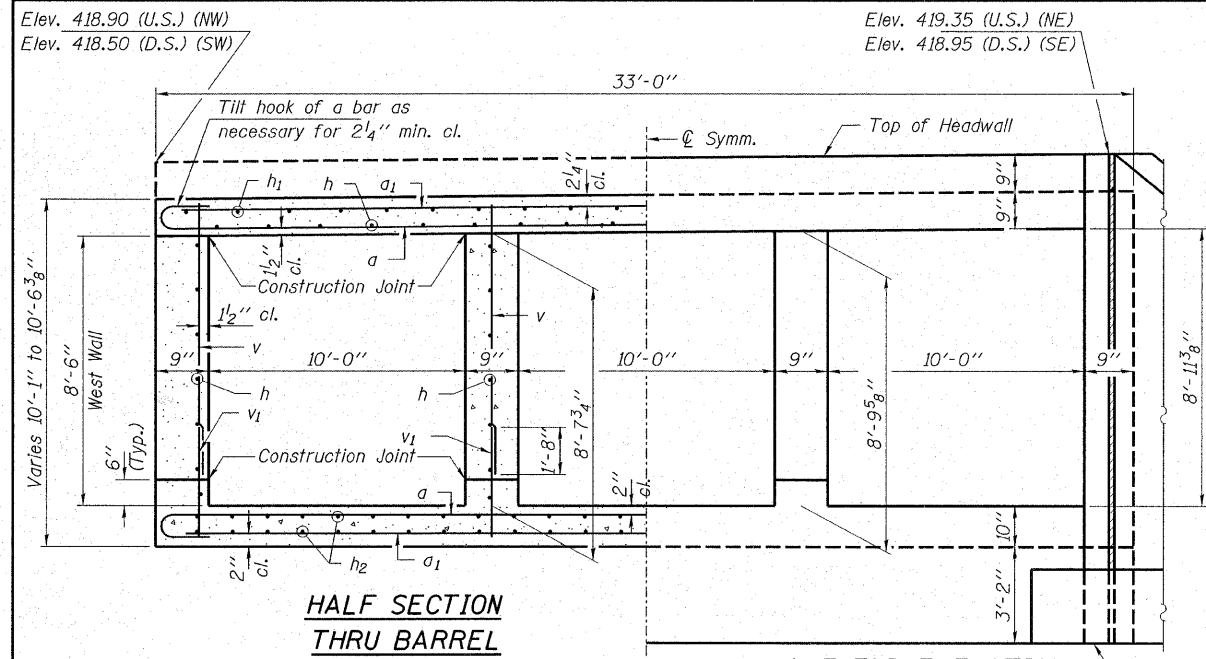
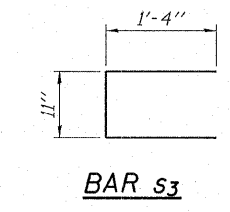
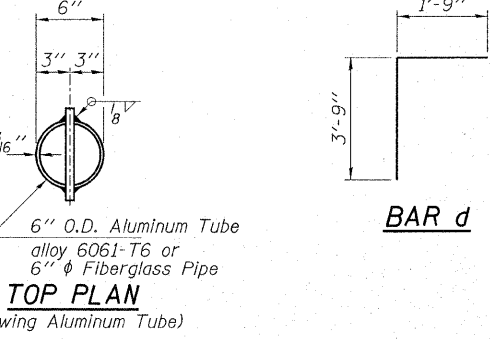
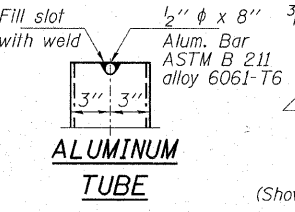
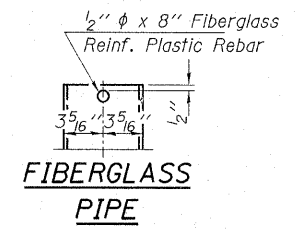
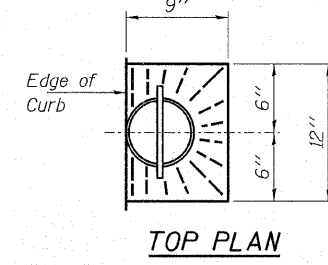
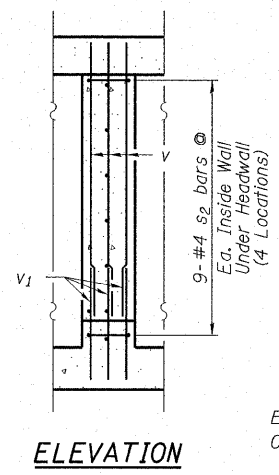
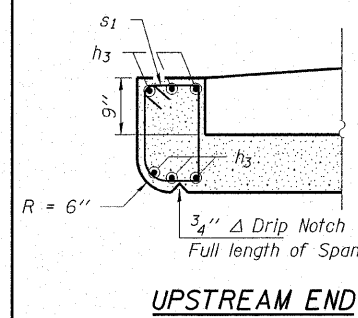
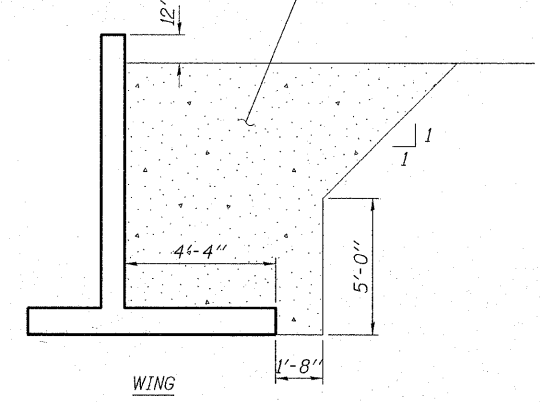
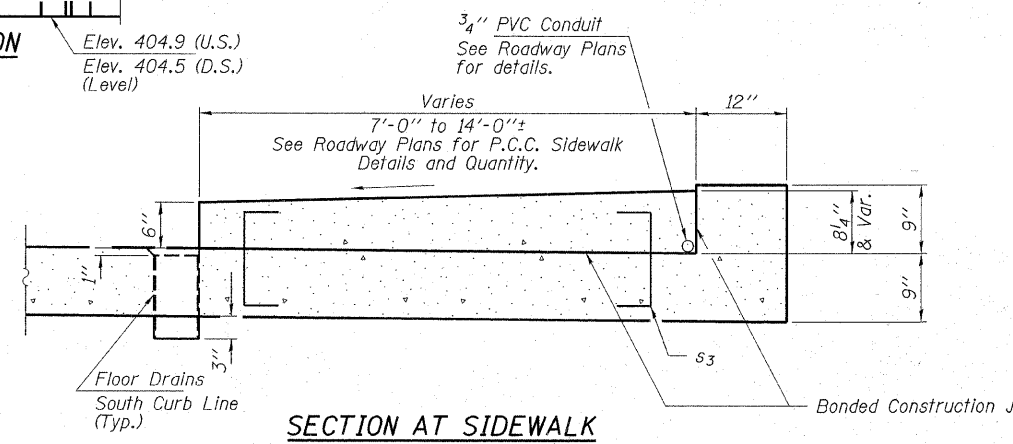


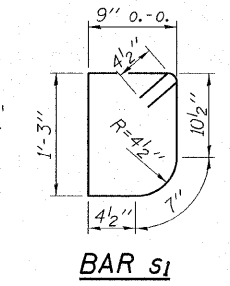
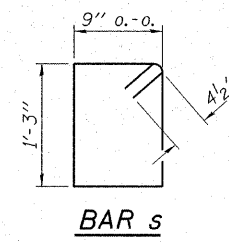
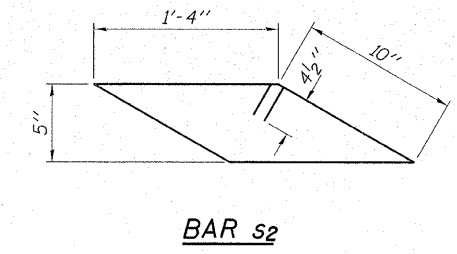
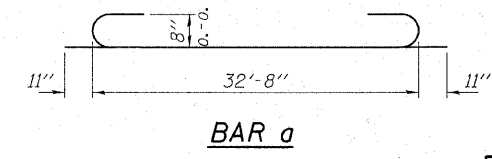
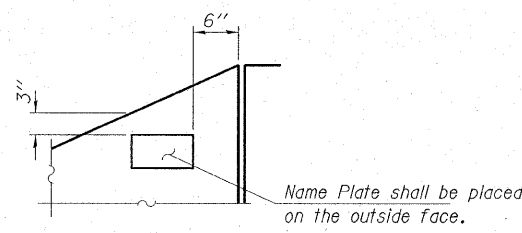
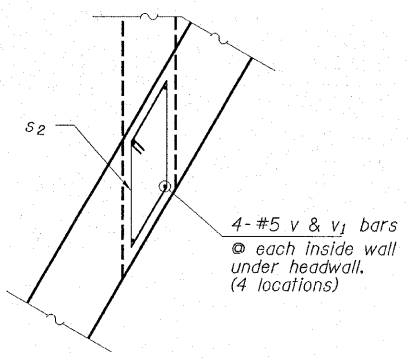
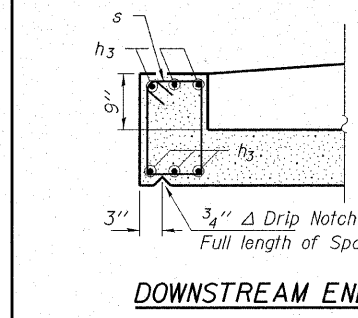
ROUTE NO.	SECTION	CITY	TOTAL SHEETS	SHEET NO.
F.A.U. 8694	06-00045-00-BR	FAIRFIELD	15	11
FED. ROAD DIST. NO.		ILLINOIS	FED. AID PROJECT	



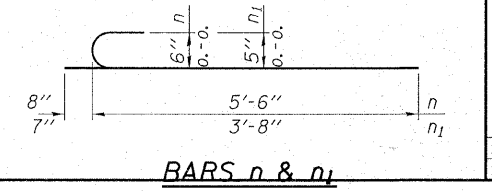
ELEVATION
(Looking North)



BAR d



INTERIOR WALL - END DETAIL
 Typical Each End (4)



HAMPTON, LENZINI & RENWICK, INC.
 CIVIL & STRUCTURAL ENGINEERS
 LAND SURVEYORS

3085 STEVENSON DRIVE, SUITE 201
 SPRINGFIELD, ILLINOIS 62703
 (217) 546-3400

ELGIN • SPRINGFIELD

PROJECT NUMBER: 12-97-0008-1 DATE: 03/20/07
 DESIGNED: S.M.S. CHECKED: S.W.M. DRAWN: D.A.B.

CULVERT DETAILS
 SECTION 06-00045-00-BR
 CITY OF FAIRFIELD
 F.A.U. 8694 / WASHINGTON STREET
 STRUCTURE NO. 096-6011 / STATION 3+34