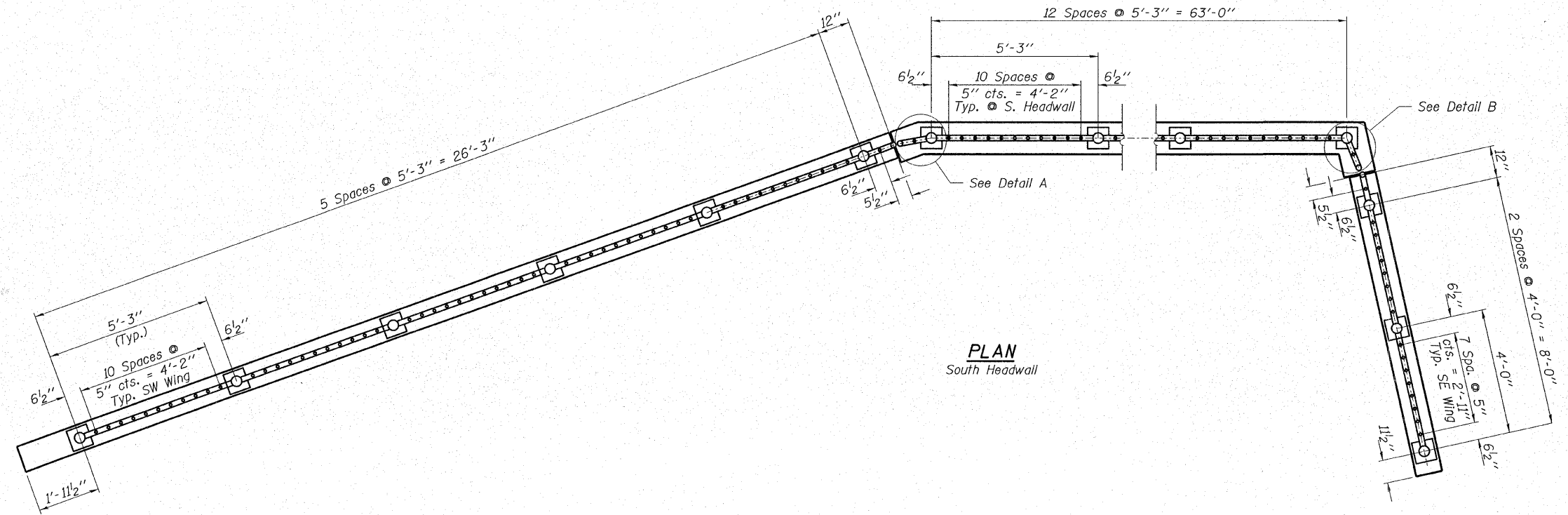
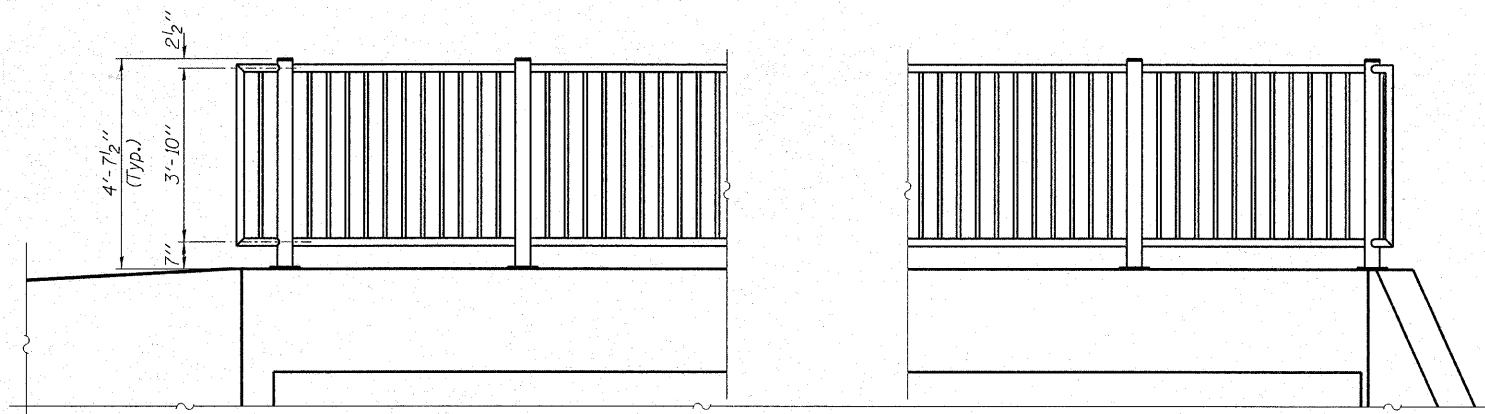


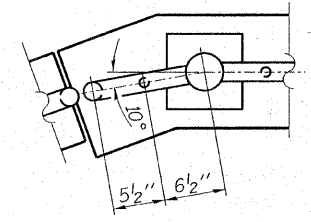
ROUTE NO. F.A.U. 8694	SECTION 06-00045 -00-BR	CITY FAIRFIELD	TOTAL SHEETS 15	SHEET NO. 12
FED. ROAD DIST. NO.		ILLINOIS	FED. AID PROJECT	



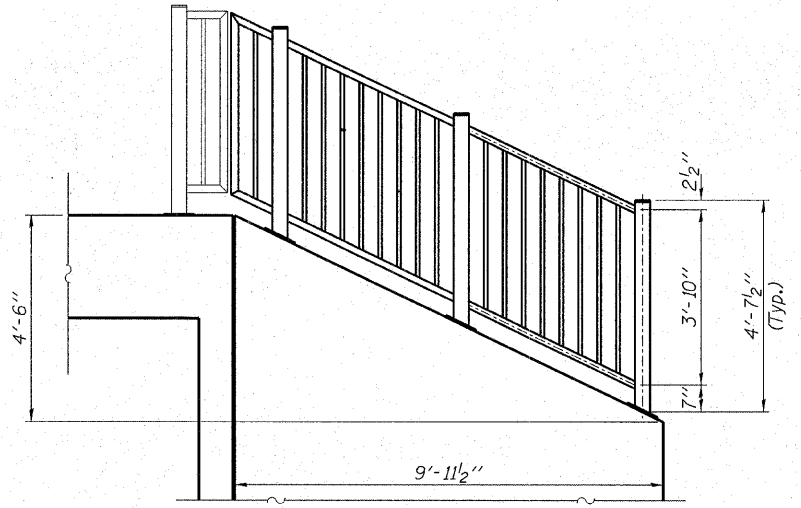
PLAN
South Headwall



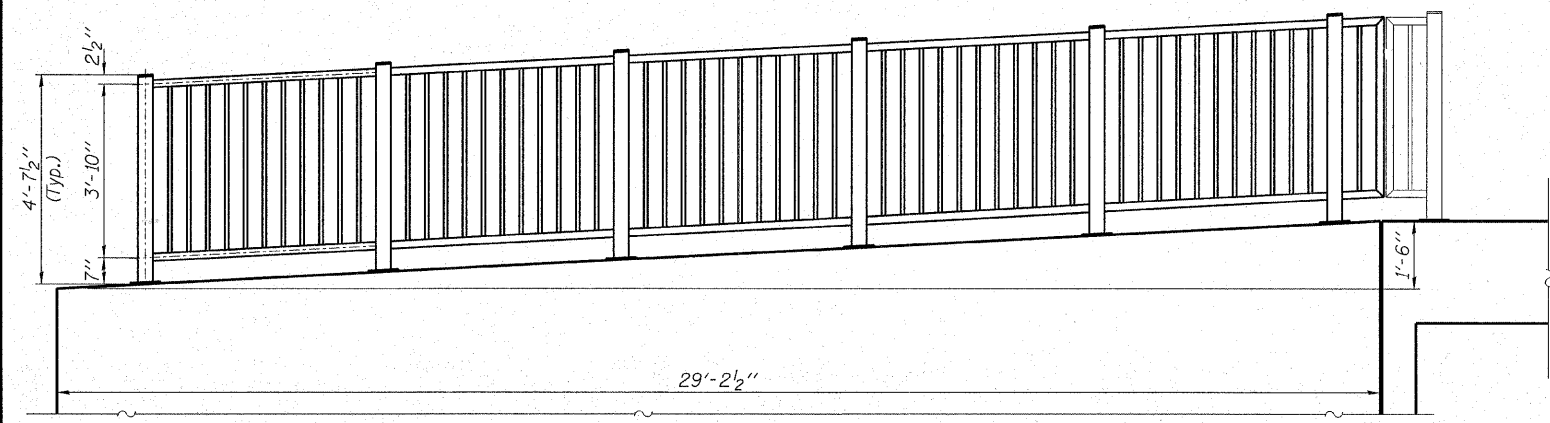
SOUTH HEADWALL ELEVATION
(Looking North)



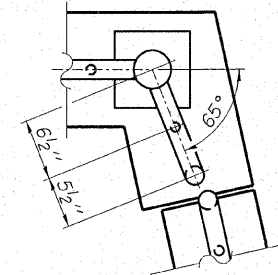
DETAIL A
(SW CORNER)



SOUTHEAST WINGWALL



SOUTHWEST WINGWALL



DETAIL B
(SE CORNER)

BILL OF MATERIAL

Item	Unit	Quantity
Aluminum Railing	Foot	198

Note: All wingwall and headwall elevations shall be field verified before fabrication.

HAMPTON, LENZINI & RENWICK, INC.
 CIVIL & STRUCTURAL ENGINEERS
 LAND SURVEYORS

3085 STEVENSON DRIVE, SUITE 201
 SPRINGFIELD, ILLINOIS 62703
 (217) 548-3400

HLR

ELGIN • SPRINGFIELD

PROJECT NUMBER: 12-97-0008-1 DATE: 03/20/07
 DESIGNED: S.M.S. CHECKED: S.W.M. DRAWN: D.A.B.

RAILING DETAILS
 SECTION 06-00045-00-BR
 CITY OF FAIRFIELD
 F.A.U. 8694 / WASHINGTON STREET
 STRUCTURE NO. 096-6011 / STATION 3+34