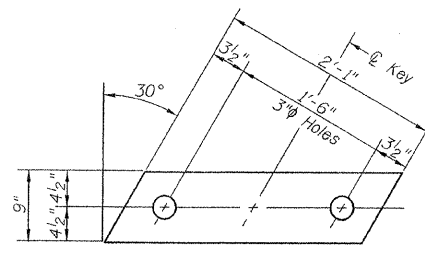
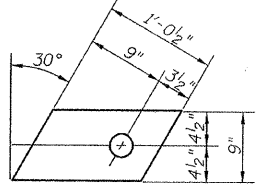


CONTRACT NO. 95528				
T.R. RTE.	SECTION	COUNTY	TOTAL SHEETS	SHEET NO.
437	04-07120-00BR	SHELBY	17	13
STA. 51+10		TO STA. 63+50		
FED. ROAD DIST. NO.		ILLINOIS FED. AID PROJECT		

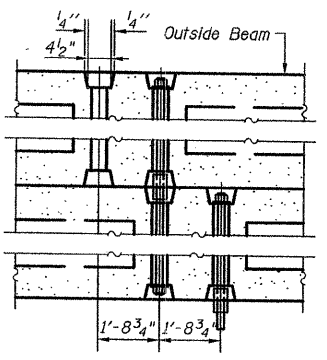


FABRIC BEARING PAD
Interior W_o
(12 Required)

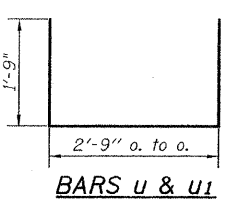
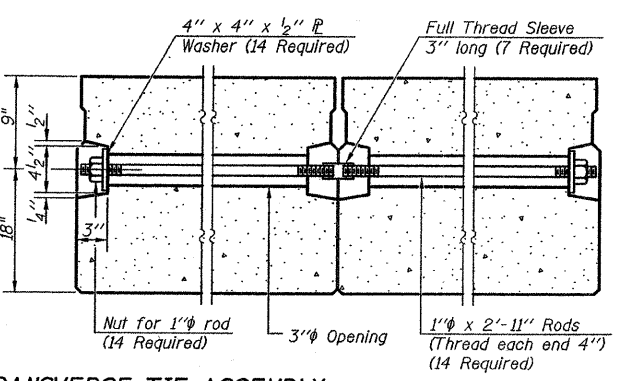


FABRIC BEARING PAD
Exterior W_o
(8 Required)

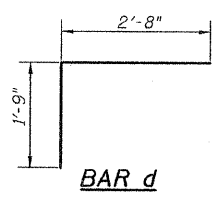
FIXED BEARINGS



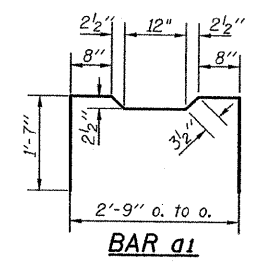
TYPICAL TRANSVERSE TIE ASSEMBLY



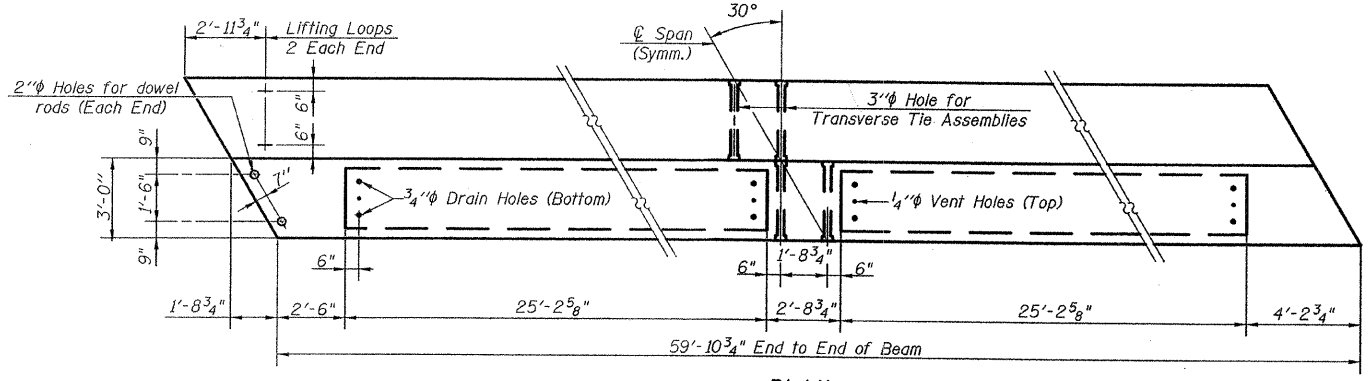
BARS u & u1



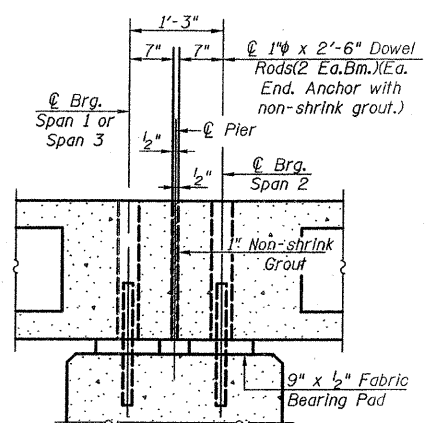
BAR d



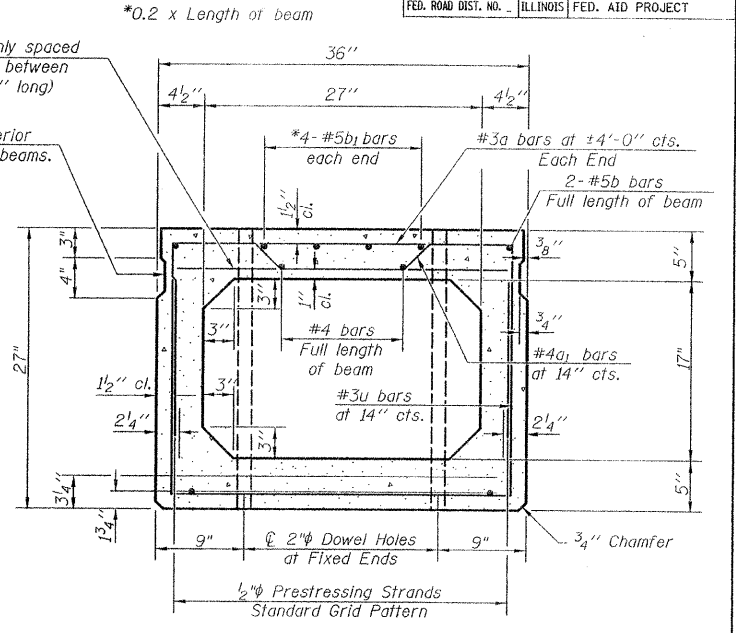
BAR a1



PLAN
(Span 2)

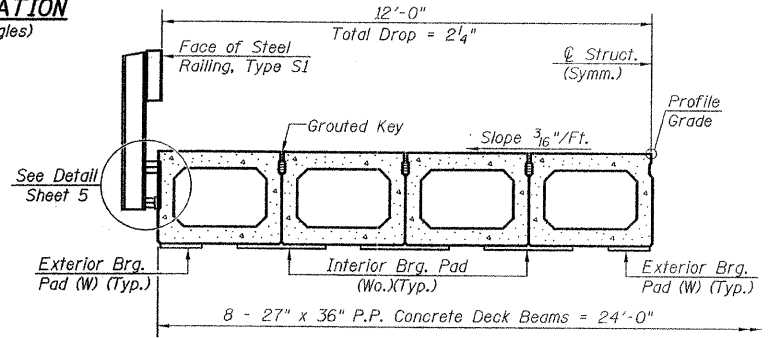


PIER ELEVATION
(At Right Angles)

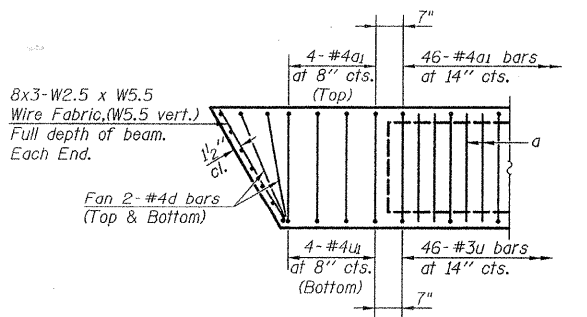


TYPICAL SECTION

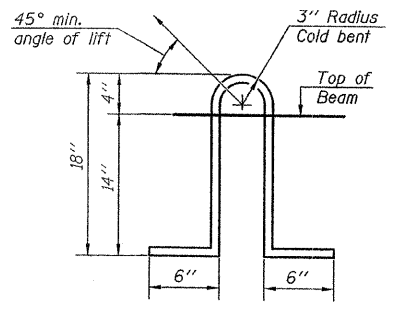
16-1/2" Strands, Each Strand Stressed to 30,900 Lbs.
6-Strands 1 3/4" up, 8-Strands 3 1/4" up, 2-Strands 7 1/2" up
Note: Place strands symmetrically about center of beam.



HALF CROSS SECTION



END PLAN



LIFTING LOOP DETAIL

NOTES

Prestressing steel shall be uncoated high strength, low relaxation 7-wire strand, Grade 270. The nominal diameter shall be 1/2" and the nominal cross-sectional area shall be 0.153 sq. in. Lifting loops shall be 2-1/2" phi-270 ksi strands, as shown. The 1" rods in the transverse tie assembly shall be tightened to a snug fit and the threads set. Pockets that receive transverse tie bar on outside shall be filled with grout after transverse tie assembly is in place. Non prestressing steel shall conform to ASTM A 706 Grade 60. (IL Modified). See Special Provisions. The bearing seat surfaces shall be adjusted by shimming to assure firm and even bearing. Two 1/2" fabric adjusting shims of the dimensions of the Exterior Bearing Pad shall be provided for each bearing. Keyway surfaces shall be cleaned to remove form oil or other bond breaking material prior to shipment of the beams. Cleaning shall be done by sandblasting the keyway areas between top of the beam and the bottom edge of the key. Corrosion Inhibitor, according to Article 1020.05(b)(12) of the Standard Specifications, shall be used in the concrete for precast prestressed concrete deck beams. Required Release Strength, f'ci, shall be 4000 p.s.i. Rail Post Anchor Devices shall be cast into exterior face of outside beams as specified on Sheet No. 5 of 7. After beams have been erected, holes shall be drilled into substructure and anchor dowels placed. Dowel holes shall be filled with non-shrink grout to top of beam and allowed to cure a min. 24 hours prior to grouting the shear keys.

BILL OF MATERIAL - SPAN 2

Bar	No.	Size	Length	Shape
Precast Prestressed Conc. Deck Bms. (27" Depth)		Sq. Ft.	1438	

SUPERSTRUCTURE - SPAN 2
T.R. 437 OVER BECKS CREEK
SECTION 04-07120-00-BR
SHELBY COUNTY

PLOT DATE = 6/24/85
FILE NAME = #FILEL6