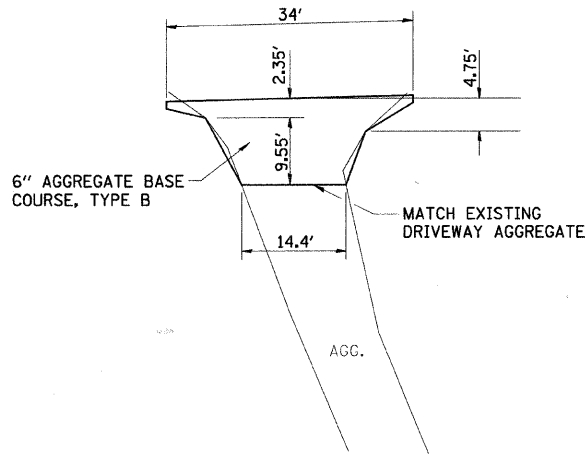


RTE.	SECTION	COUNTY	TOTAL SHEETS	SHEET NO.
T.R. 256	06-11116-00-BR	MACON	14	5
STA. 8+67.32 TO STA. 21+14.18				
FED. ROAD DIST. NO.	ILLINOIS	PROJECT:	BROS-115163	

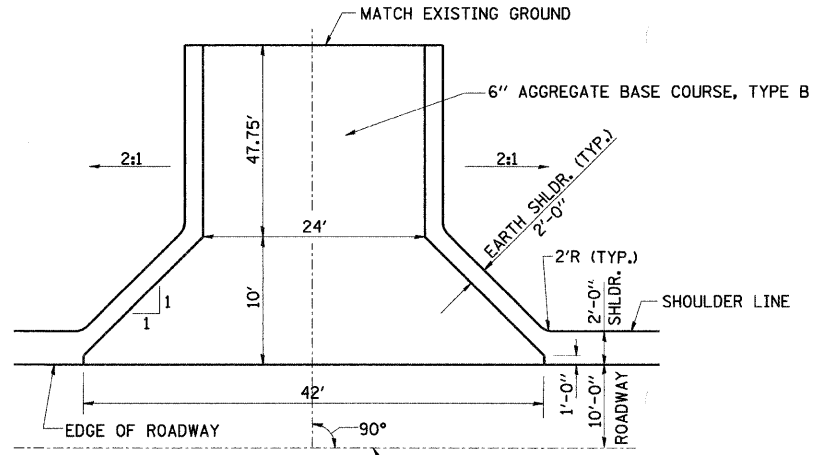
CONTRACT NO. 95530

PLAN	DATE	BY
SURVEYED		
ALIGNED		
CHECKED		
BY		
NO. OF DAYS CHECKED		
DATE		
FILE NAME		

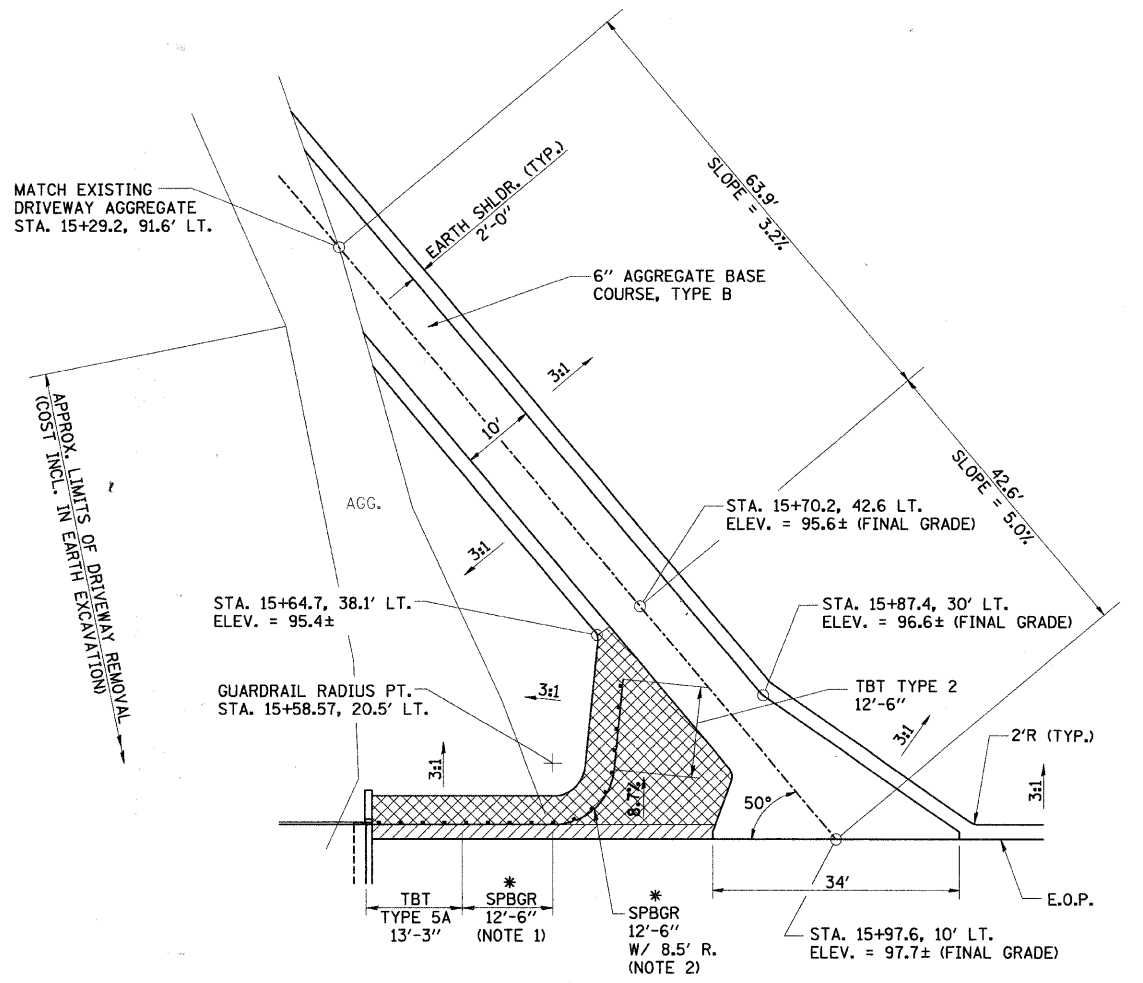
PROFILE	DATE	BY
SURVEYED		
GRADES CHECKED		
BY		
STRUCTURE NOTATIONS CHD		



PRIVATE ENTRANCE DETAIL
STA. 16+82.83
 AGGREGATE BASE COURSE, TYPE B
 TOTAL = 10 TONS



FIELD ENTRANCE DETAIL
STA. 13+50.00
 AGGREGATE BASE COURSE, TYPE B
 TOTAL = 57 TONS



2' SHLDR. SLOPED AT 1/2" / FT.
 SLOPED AT 8.7%

* PAY LIMITS OF STEEL PLATE BEAM GUARDRAIL, SHORT RADIUS = 25'-0"

PRIVATE ENTRANCE DETAIL
STA. 16+06.00
 AGGREGATE BASE COURSE, TYPE B
 TOTAL = 50 TONS

- NOTES:
- CONSTRUCT ACCORDING TO STANDARD 631011-04 FOR TRAFFIC BARRIER TERMINAL TYPE 2, EXCEPT DELETE END SECTION AND SPLICE INTO RADIUS GUARDRAIL. THE RAIL HEIGHT OF THE TRAFFIC BARRIER TERMINAL TYPE 2's WILL BE 27".
 - FOR THE 8'-6" RADIUS, THE RAIL IS NOT BOLTED TO THE POST LOCATED AT THE MIDPOINT OF THE CURVE.
- Revised 12-20-07*

ENTRANCE DETAILS