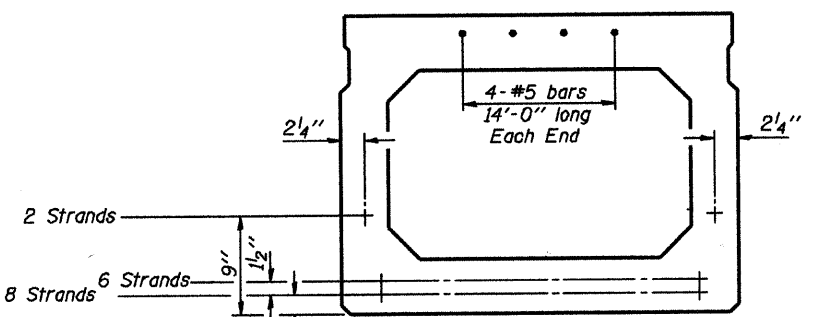
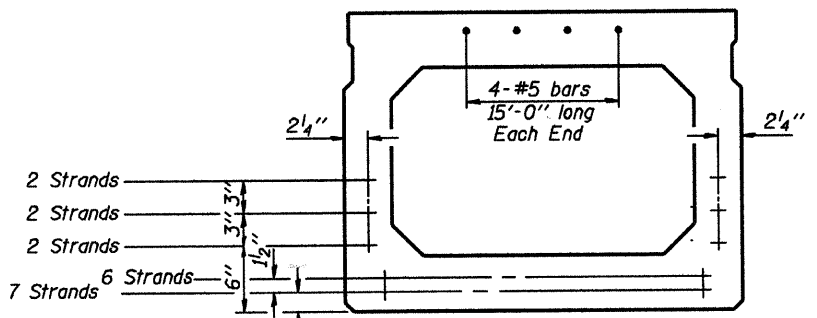


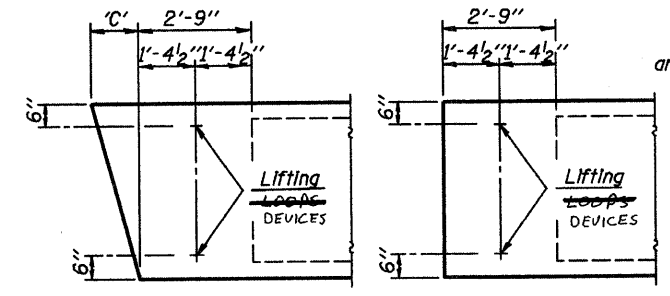
**CROSS SECTION**  
(60' SPAN)



**CROSS SECTION**  
(70' SPAN)

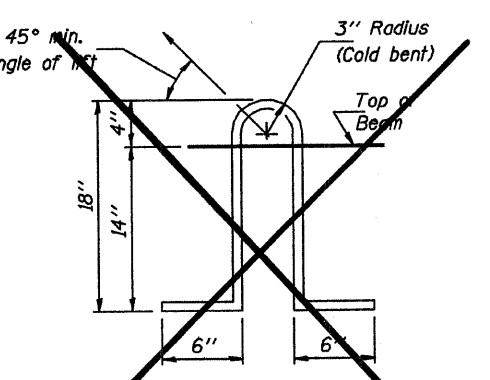


**CROSS SECTION**  
(75' SPAN)



**END BLOCK DETAILS**

Each beam shall have four Lifting Loop DEVICES two at each end of beam cast in locations shown above. ~~These shall be bonded off if the beams have been grouted.~~



**LIFTING LOOP DETAIL**

Lifting loops shall be 3, 1/2" φ - 270 ksi strands, as shown. Alternate approved lifting devices are also acceptable. See special provisions.

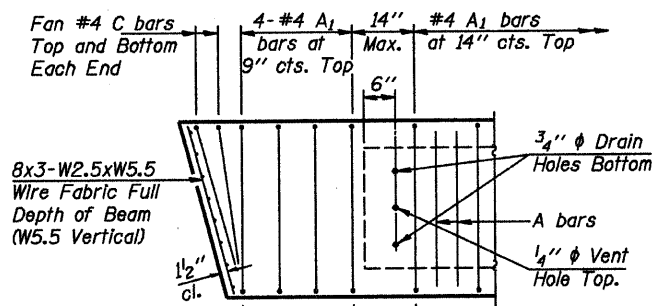
**DIMENSION 'C'**

Skew Angle 'D'	0°	5°	10°	15°	20°	25°	30°
Dimension 'C' (Inches)	0	3 3/8	6 3/8	9 5/8	13 1/8	16 3/4	20 3/4

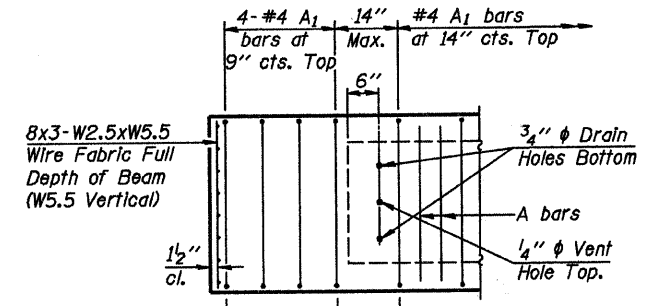
**\* TRANSVERSE STRAND PLACEMENT GUIDELINES**

1. Place strands symmetrically about centerline of beam.
2. The minimum distance from center to center of strands in all directions shall be 2".
3. The minimum clearance from strand to dowel hole shall be 1/2".
4. The minimum clearance from strand to void shall be 1 1/2".

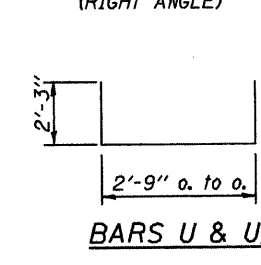
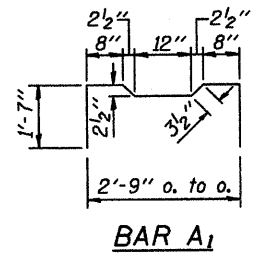
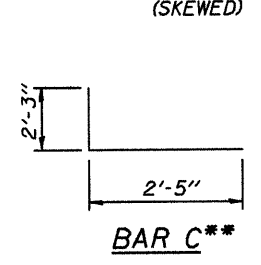
Vertical placement of strands shall not be adjusted to satisfy the above guidelines.



**END REINFORCEMENT**  
(SKEWED)



**END REINFORCEMENT**  
(RIGHT ANGLE)

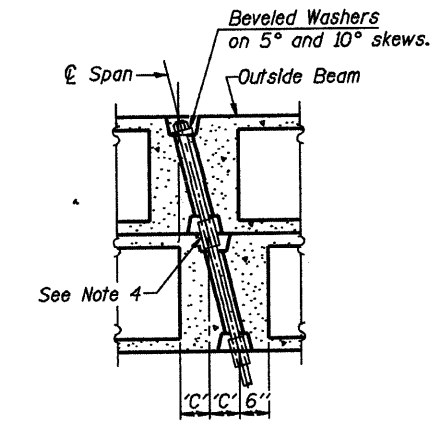


**DESIGN STRESSES**

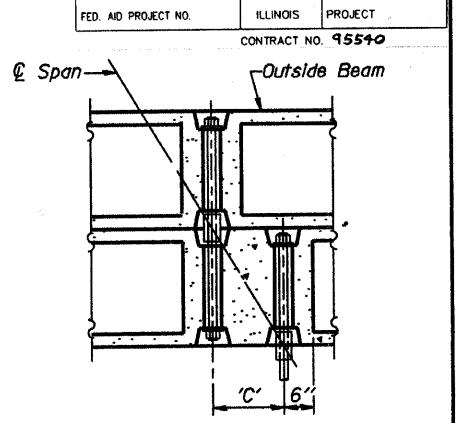
$f'_c = 5,000$  p.s.i.  
 $f'_{ci} = 4,000$  p.s.i.  
 $f'_s = 270,000$  p.s.i. (1/2" φ Strand)  
 $f_{st} = 201,960$  p.s.i. (1/2" φ Strand)  
 $f_y = 60,000$  p.s.i.

**MIN. BAR LAP**

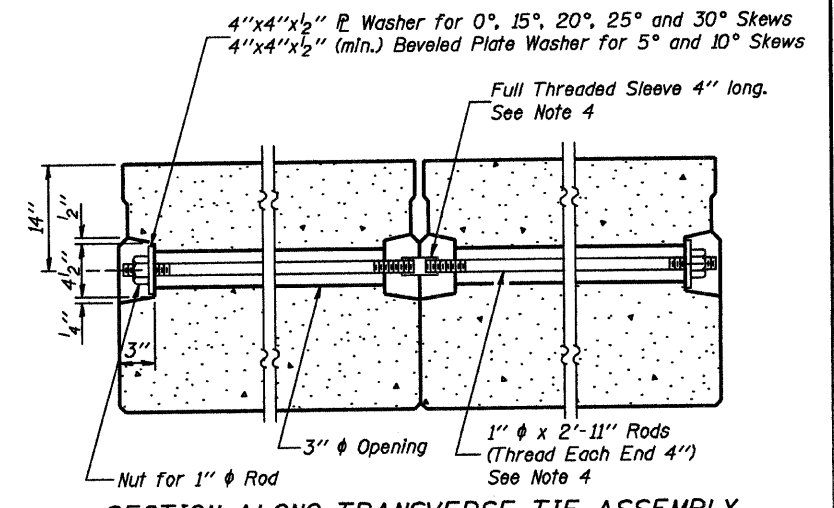
#4 bars = 1'-4"  
 #5 bars = 1'-8"



**PARTIAL PLAN TRANSVERSE TIE ASSEMBLY**  
(D=0°, 5° and 10°)



**PARTIAL PLAN TRANSVERSE TIE ASSEMBLY**  
(D=15°, 20°, 25° and 30°)



**SECTION ALONG TRANSVERSE TIE ASSEMBLY**

**NOTES**

1. Prestressing steel shall be uncoated high strength, low relaxation 7-wire strand, Grade 270.
2. The nominal diameter shall be 1/2" and the nominal cross-sectional area shall be 0.153 square inches.
3. Reinforcement bars shall conform to the requirements of AASHTO M-31 or M-322, Grade 60.
4. On 0°, 5° and 10° skewers, alternate approved transverse tie rods of increased segmental length are acceptable.
5. Rail Post anchor devices shall be cast into outside beam as elsewhere specified.
6. When a Waterproofing Membrane System is specified, the top surface of the beams shall be screeded with a straightedge and finished with a hand float. The finished surface shall be free of depressions or high spots with sharp corners and the top edge of keys shall be rounded or chamfered a minimum of 1/4".
7. Keyway surfaces shall be cleaned to remove form oil or other bond breaking material prior to shipment of the beams. Cleaning shall be done by sandblasting the keyway areas between the top of the beam and the bottom edge of the key.

Illinois Department of Transportation  
 PASSED APRIL 4, 2005  
 Thomas S. Namagallabi  
 Engineer of Bridge Design  
 APPROVED APRIL 4, 2005  
 Ralph E. Anderson  
 Engineer of Bridges and Structures

**NOTE:**  
 The std. reinf. and dimensions shown on the 60' span cross section is typical for all spans, except as shown.

**\*\*NOTE:**  
 The following number of C bars shall be used:  
 Skew No.  
 5° and 10° — 1  
 15° and 20° — 2  
 25° and 30° — 3

**P.P.C. DECK BEAM DETAILS**

24' ROADWAY	33" x 36" BEAMS
STANDARD CB-2433-36	