

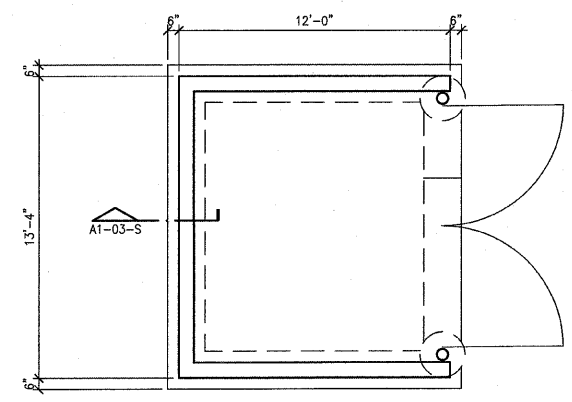
REV. NO.	REMARKS	DATE

KENNEDY PROJECT NO
KAI# 10-02048

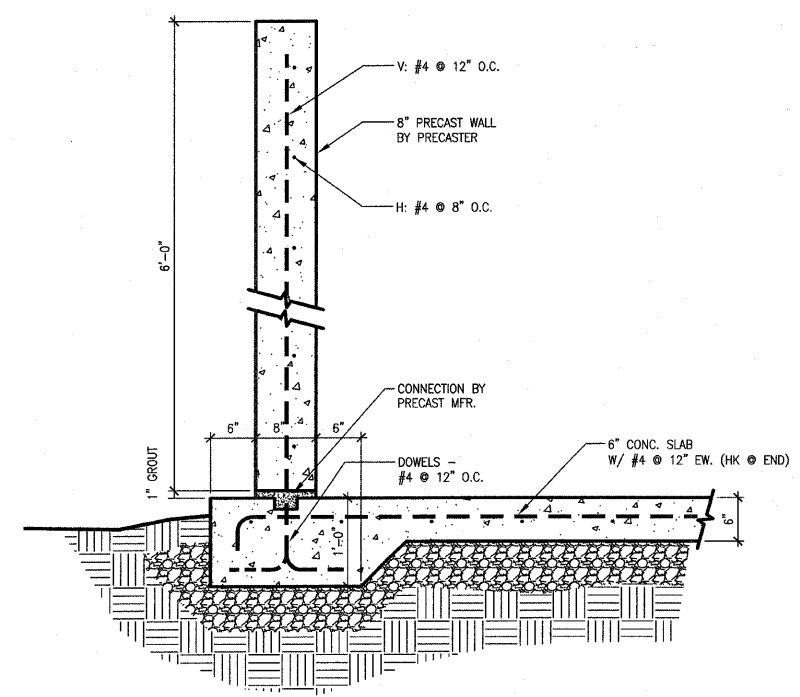
ISSUE DATE
12-JULY-05

SHEET NO

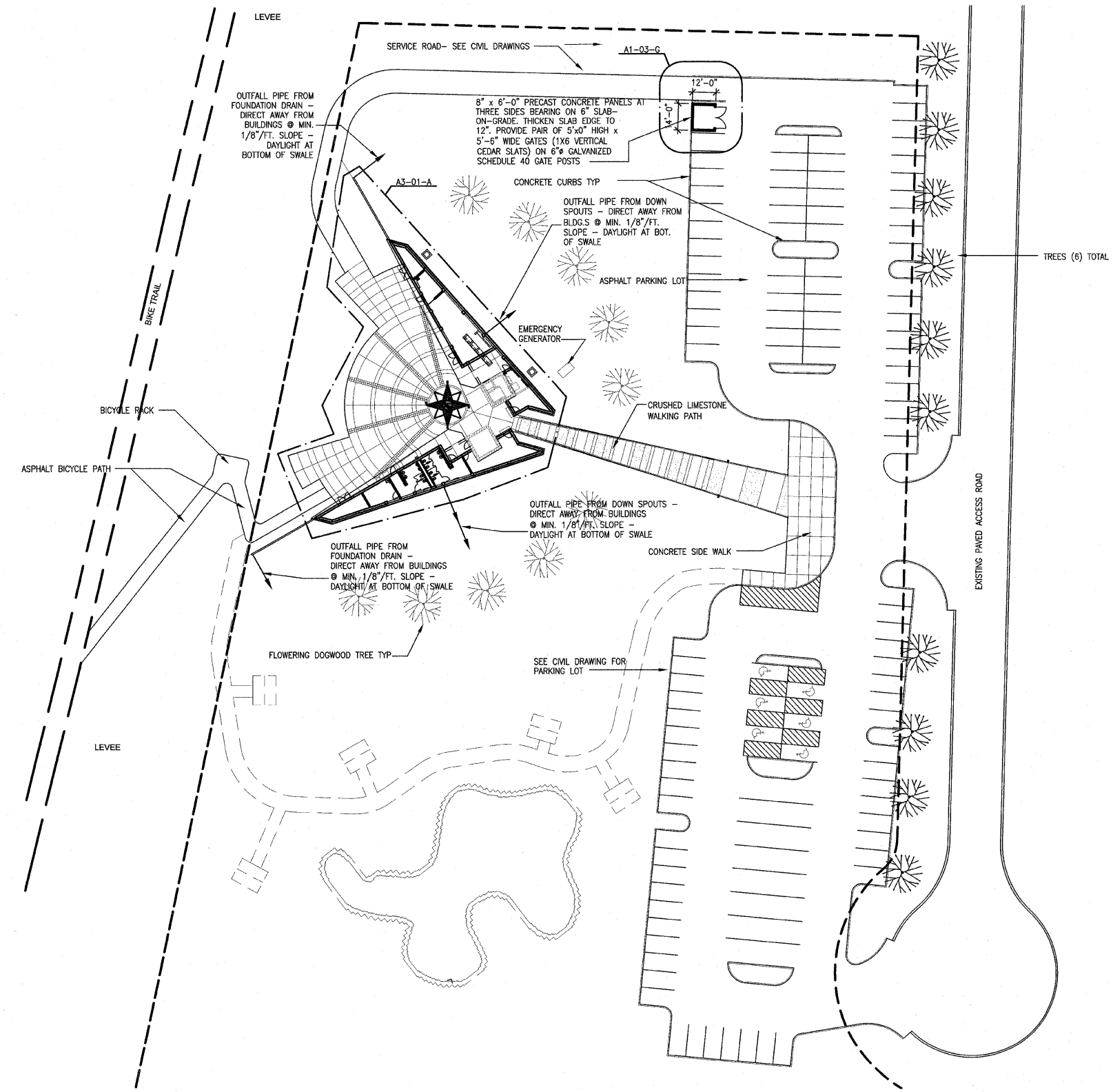
A1-03



G DUMPSTER ENCLOSURE
1/4"=1'-0"



S DUMPSTER ENCLOSURE
1"=1'-0"



A PHASE 2 SITE PLAN
1/32"=1'-0"

