

F.A. RTE.	SECTION	COUNTY	TOTAL SHEETS	SHEET NO.
	03-00026-00-PK	MADISON	51	29
	06-00026-01-MS	97331		

FEDERAL AID PROJECT

211 N. Broadway
Suite 1900
St. Louis, MO 63102
(314) 241-8188
(314) 241-0125
FAX

KAI

LEWIS AND CLARK MEMORIAL TOWER
VILLAGE OF HARTFORD, ILLINOIS
HARTFORD, ILLINOIS 62049

SHEET TITLE:
DETAILS

REV. NO.	DATE	REMARKS
1	11/9/06	
2		
3		
4		
5		
6		
7		
8		
9		
10		

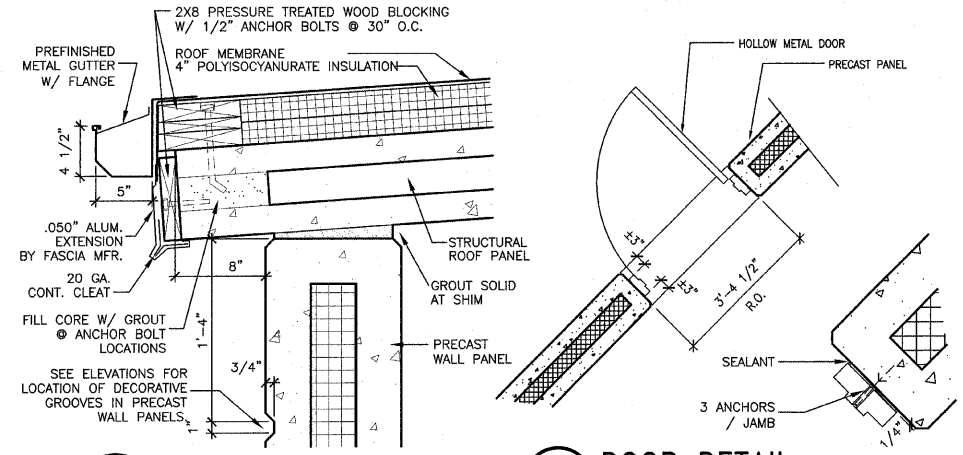
KENNEDY PROJECT NO
KAI# 10-02048

ISSUE DATE
12-JULY-05

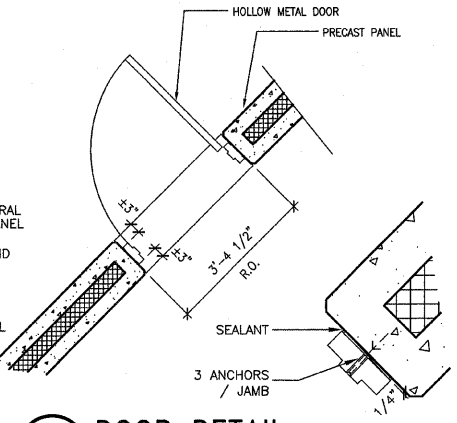
SHEET NO

A5-01

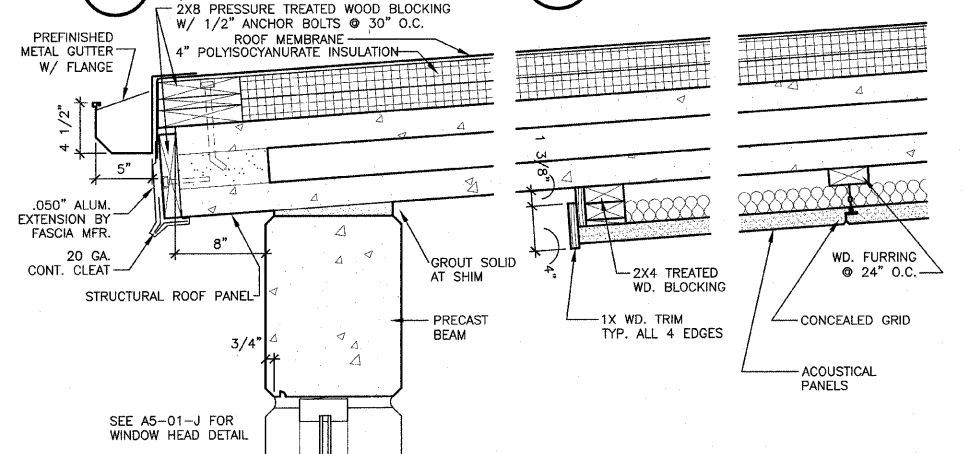
© 2005 KENNEDY ASSOCIATES INCORPORATED



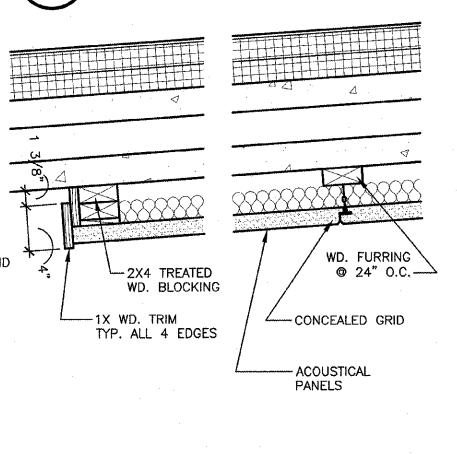
A ROOF EDGE
1-1/2"=1'-0"



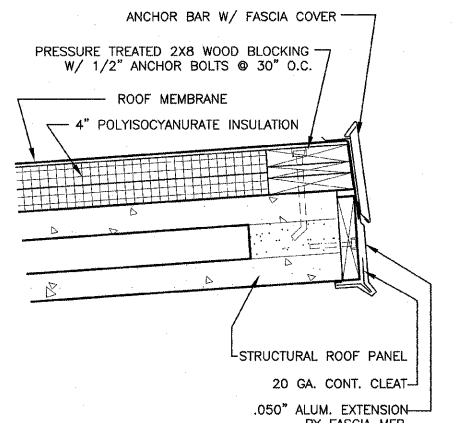
B DOOR DETAIL
1/2"=1'-0"



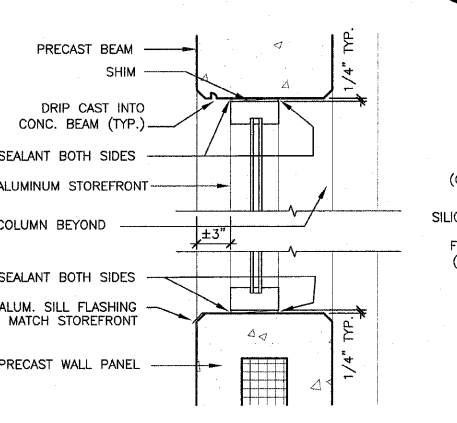
F ROOF EDGE
1-1/2"=1'-0"



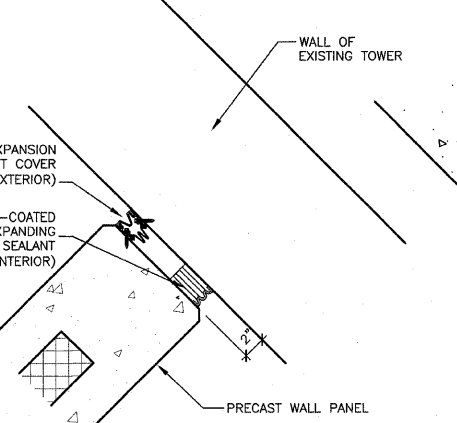
G ACOUSTICAL CEILING
1-1/2"=1'-0"



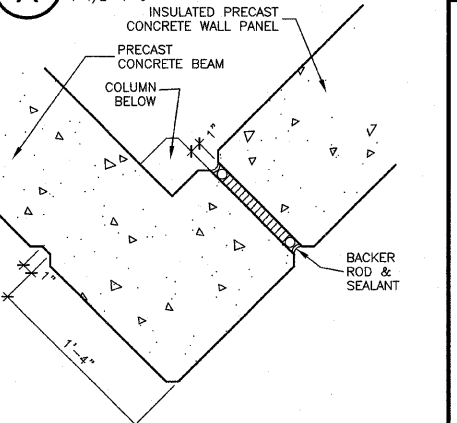
H ROOF EDGE
1-1/2"=1'-0"



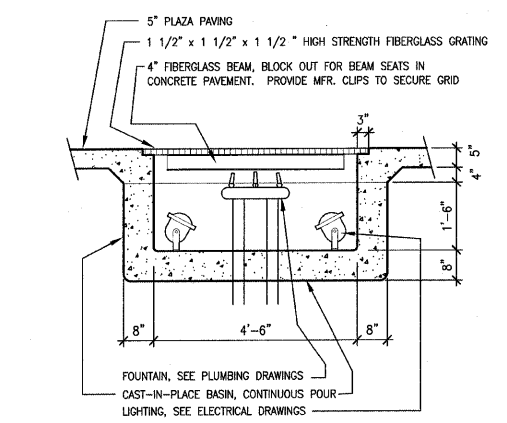
J WINDOW DETAIL
1-1/2"=1'-0"



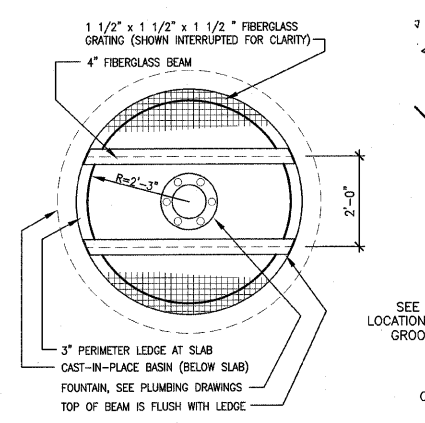
K EXPANSION JOINT
1-1/2"=1'-0"



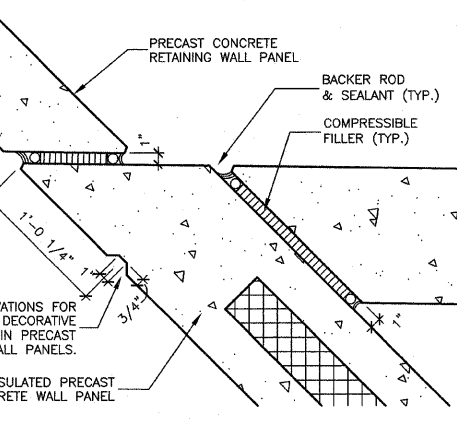
X LOUVER DETAIL
1-1/2"=1'-0"



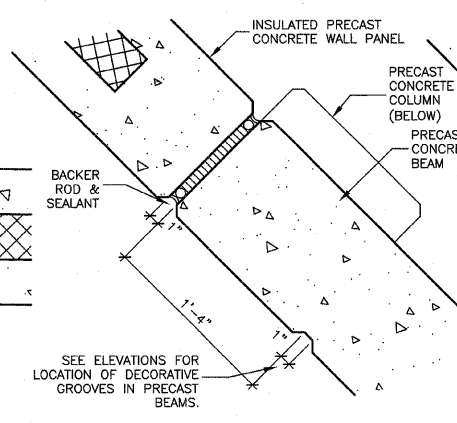
L FOUNTAIN SECTION
1/2"=1'-0"



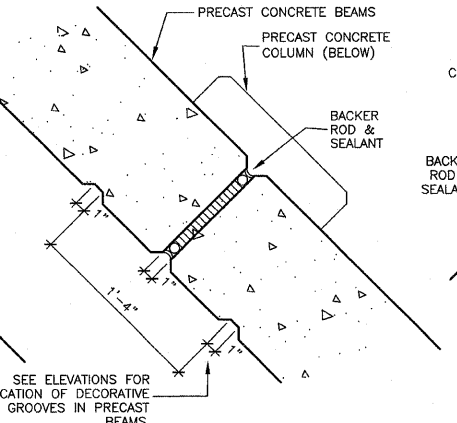
M FOUNTAIN PLAN
1/2"=1'-0"



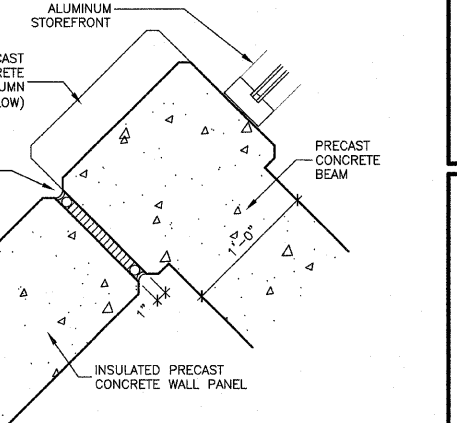
N PLAN DETAIL
1-1/2"=1'-0"



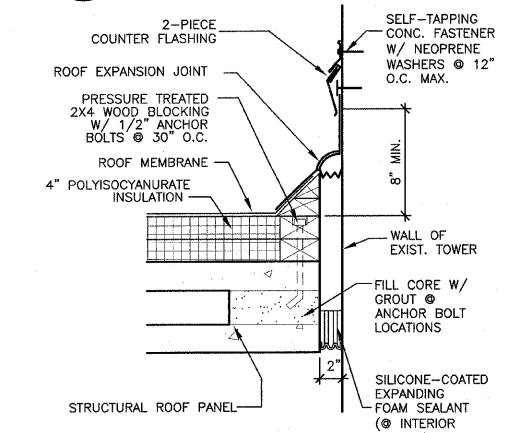
P PLAN DETAIL
1-1/2"=1'-0"



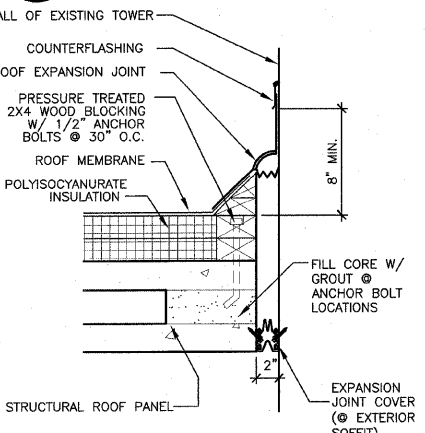
Q PLAN DETAIL
1-1/2"=1'-0"



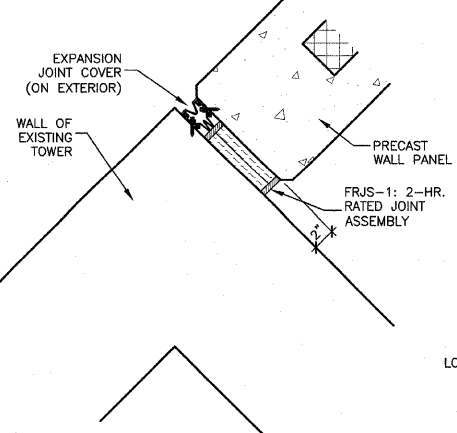
Z PLAN DETAIL
1-1/2"=1'-0"



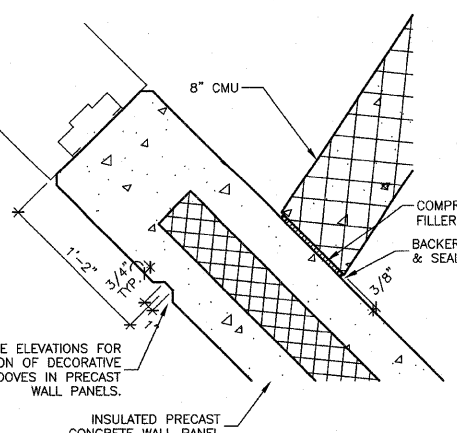
R EXPANSION JOINT
1-1/2"=1'-0"



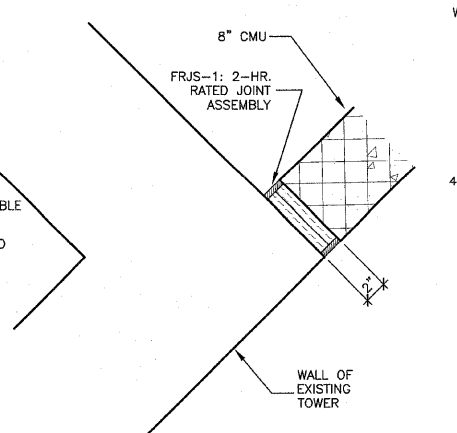
S EXPANSION JOINT
1-1/2"=1'-0"



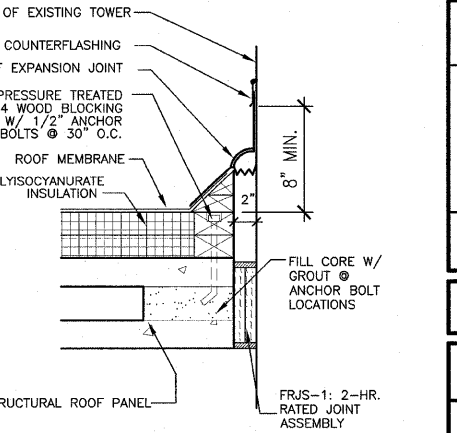
T RATED EXPANSION JOINT
1-1/2"=1'-0"



U PLAN DETAIL
1-1/2"=1'-0"



V RATED EXPANSION JOINT
1-1/2"=1'-0"



W RATED EXPANSION JOINT
1-1/2"=1'-0"