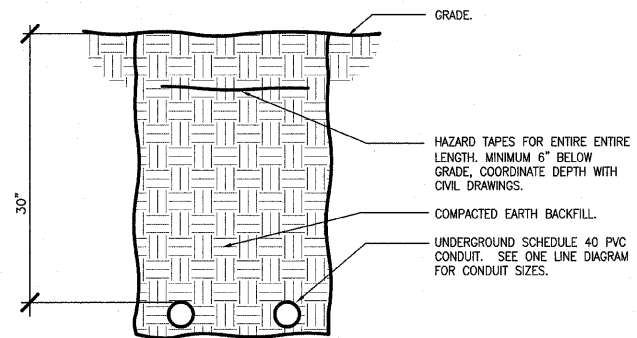
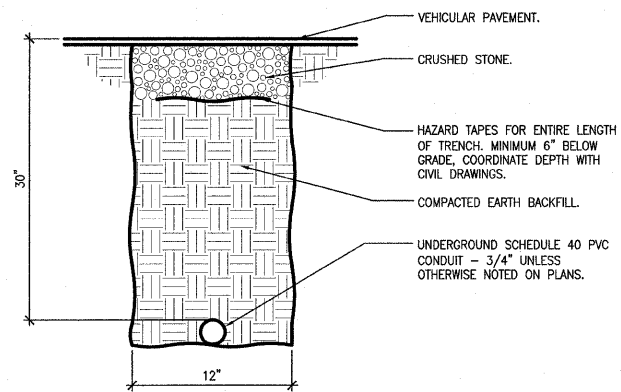


F.A.R.T.E.	SECTION	COUNTY	TOTAL SHEETS	SHEET NO.
	03-00026-00-PK	MADISON	51	48
	06-00026-01-MS	97331		

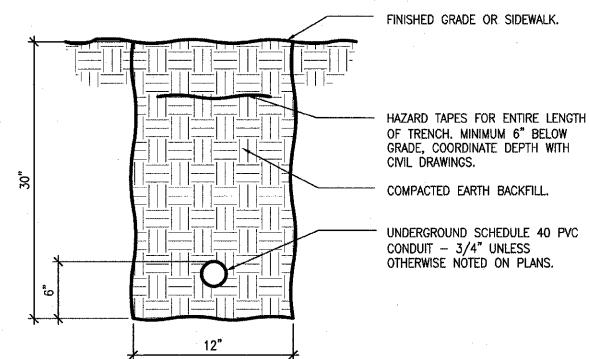
FEDERAL AID PROJECT



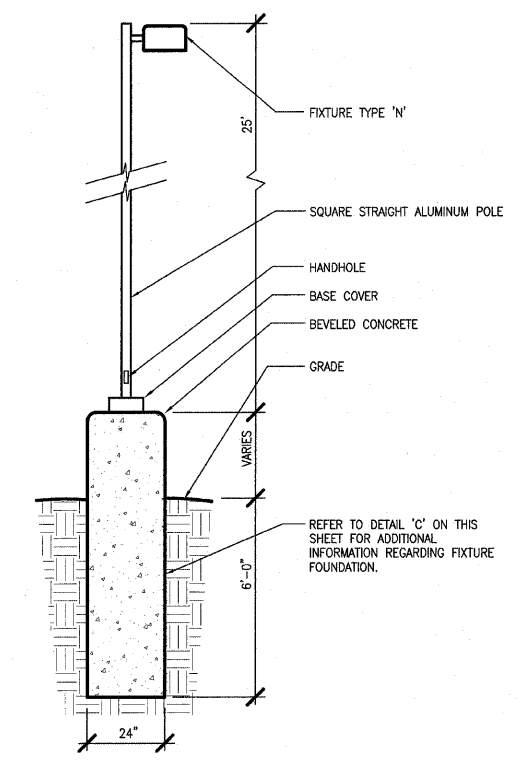
**D** SECONDARY SERVICE ENTRANCE DUCTBANK  
NO SCALE



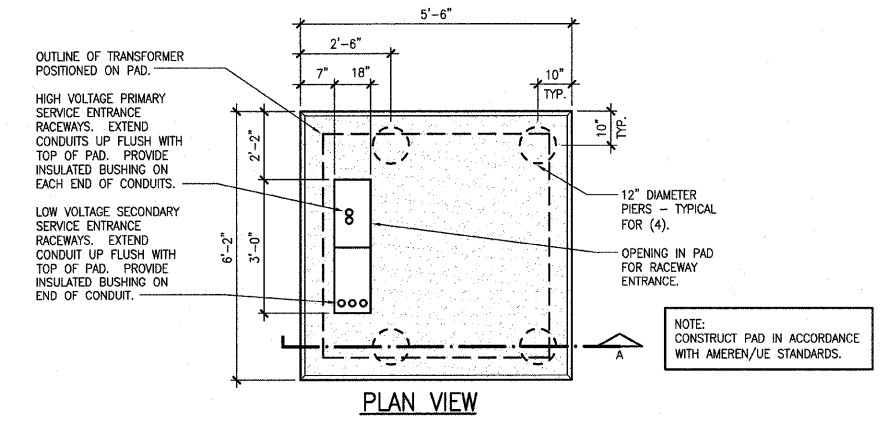
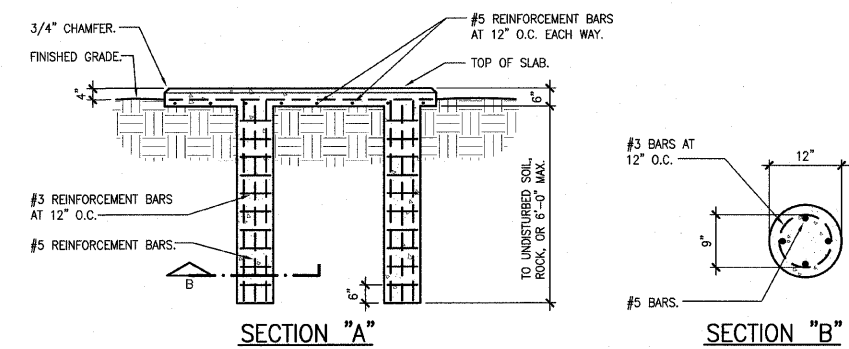
**E** CONDUIT TRENCH UNDER VEHICULAR PAVEMENT  
NO SCALE



**F** CONDUIT TRENCH IN GRASS OR UNDER SIDEWALK  
NO SCALE



**A** SITE LIGHTING FIXTURE DETAIL "TYPE N"  
NO SCALE



**B** TRANSFORMER PAD DETAIL  
NO SCALE

211 N Broadway  
Suite 1900  
St. Louis, MO 63102  
(314) 241-8188  
FAX (314) 241-0125

**KAI**

**LEWIS AND CLARK MEMORIAL TOWER**  
**VILLAGE OF HARTFORD, ILLINOIS**  
HARTFORD, ILLINOIS 62049

SHEET TITLE:  
**ELECTRICAL DETAILS**

REV. NO.	REMARKS	DATE

KENNEDY PROJECT NO  
**KAI 10-02048**

ISSUE DATE  
**12-JULY-05**

SHEET NO

**E6-02**