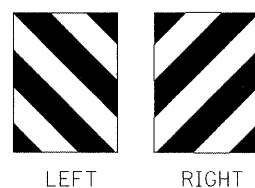
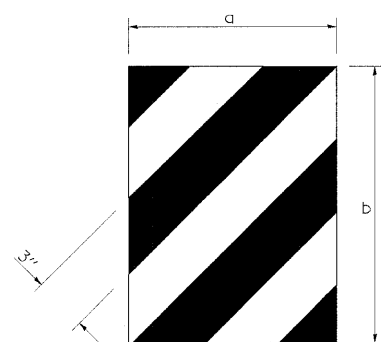


CASE I

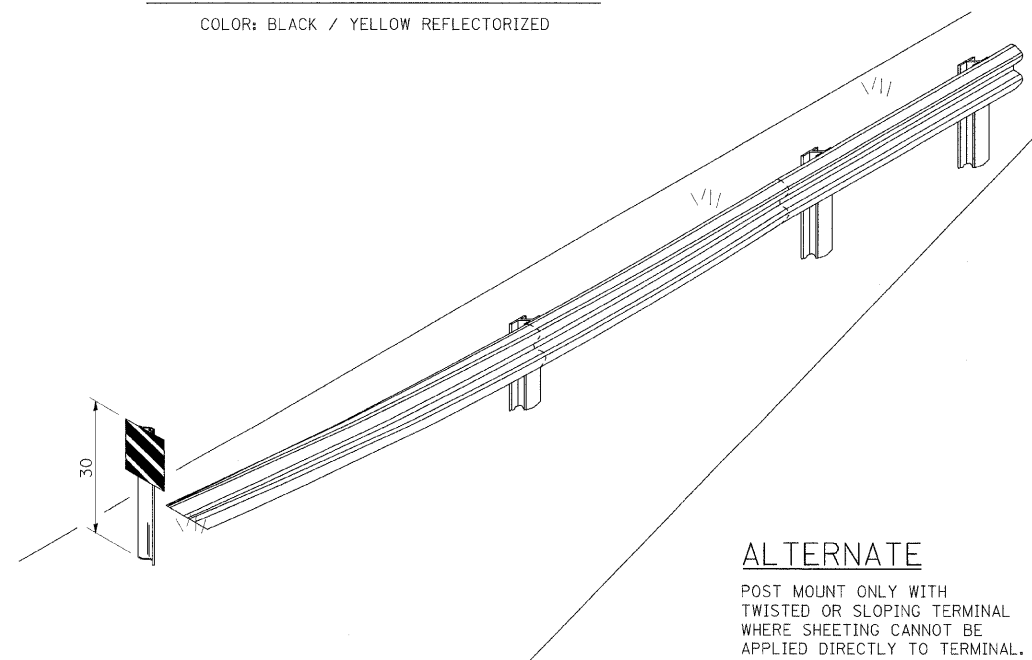
CASE II



DIMENSION	CASE I	CASE II
a	15"	18"
b	20"	16"

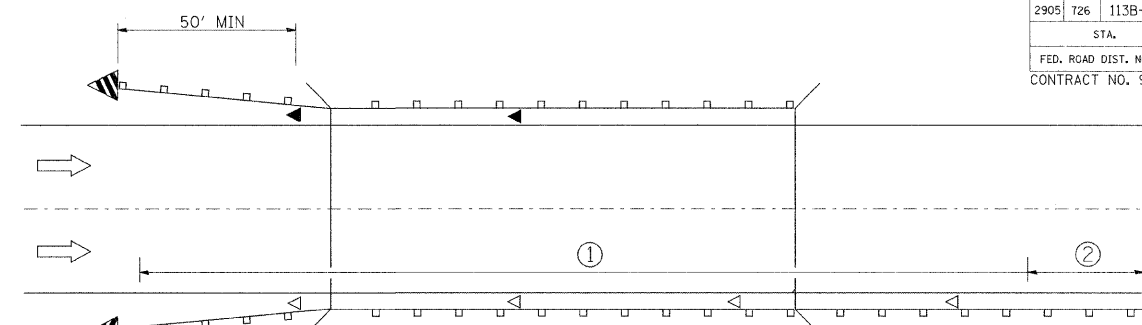
TERMINAL MARKER DETAILS

COLOR: BLACK / YELLOW REFLECTORIZED



ALTERNATE

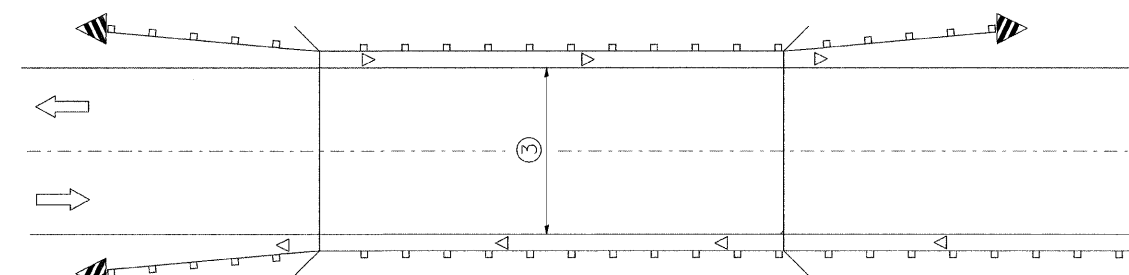
POST MOUNT ONLY WITH TWISTED OR SLOPING TERMINAL WHERE SHEETING CANNOT BE APPLIED DIRECTLY TO TERMINAL.



① SPACING 80 FEET MAX FOR FIRST 400 FEET OR CURVE SPACING SHOWN IN STANDARD 635001, WHICHEVER IS LESS (MIN 4 REFLECTORS REGARDLESS OF LENGTH).

② AFTER 400 FEET, TRANSITION TO NORMAL DELINEATOR SPACING SHOWN IN STANDARD 635001, AND CONTINUE AS REQUIRED.

ONE-WAY TRAFFIC



③ BIDIRECTIONAL SILVER/SILVER SHOULD BE USED IN LIEU OF MONODIRECTIONAL SILVER ON BOTH SIDES OF TWO-LANE BRIDGES WHERE THE PAVEMENT IS LESS THAN 24 IN WIDER THAN THE PAVEMENT APPROACHING THE BRIDGE.

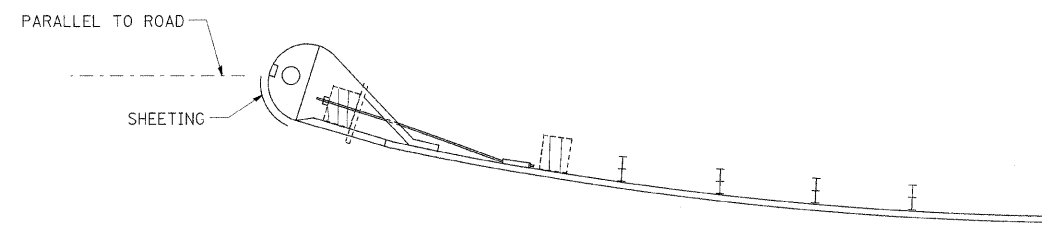
◁ MONODIRECTIONAL SILVER

▲ MONODIRECTIONAL AMBER

▤ TERMINAL MARKER - BLACK/YELLOW LEFT OR RIGHT AS APPROPRIATE

TWO-WAY TRAFFIC

GUARDRAIL / BARRIER WALL / BRIDGE RAIL REFLECTORS



SHEETING POSITION: CASE II

ALL DIMENSIONS ARE IN INCHES UNLESS OTHERWISE SHOWN.