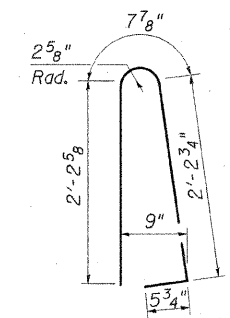
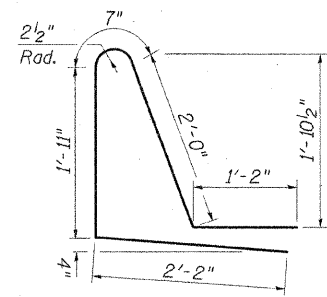


INSIDE ELEVATION OF PARAPET
(East Parapet Shown, West Opposite)

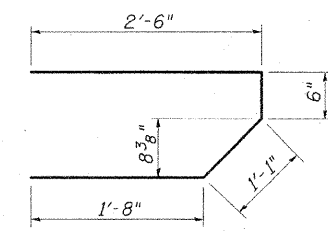
MIN. BAR LAP
(Parapet)
*4 bar - 1'-4"
*8 bar - 3'-5"



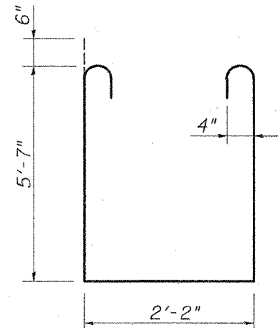
BAR d (E)



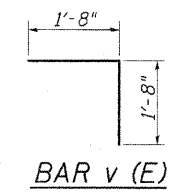
BAR d1 (E)



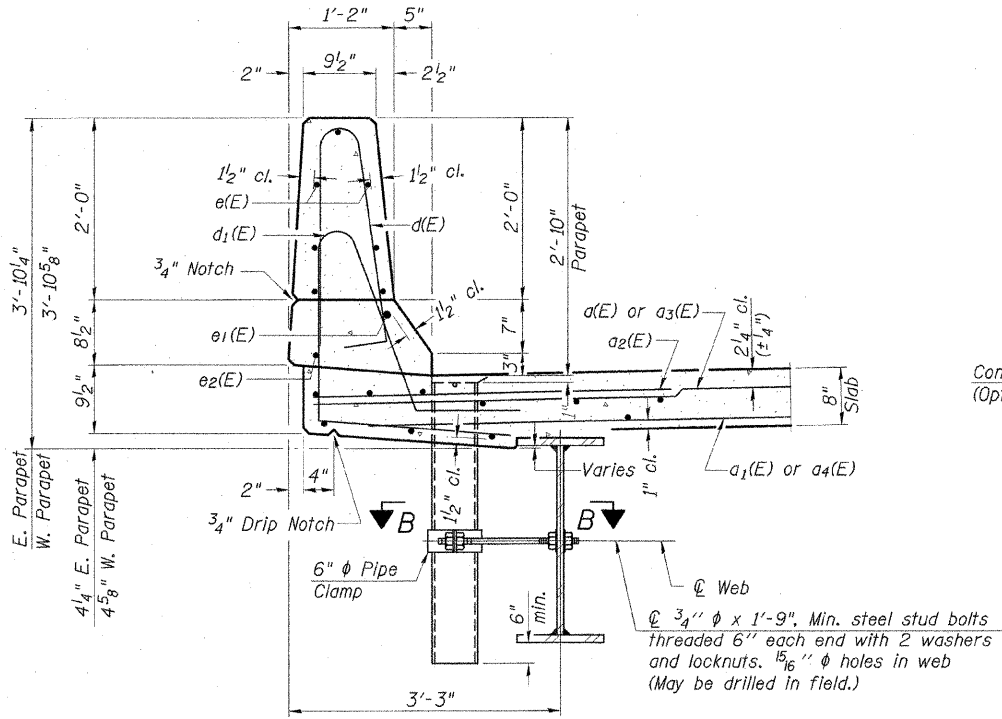
BAR s (E)



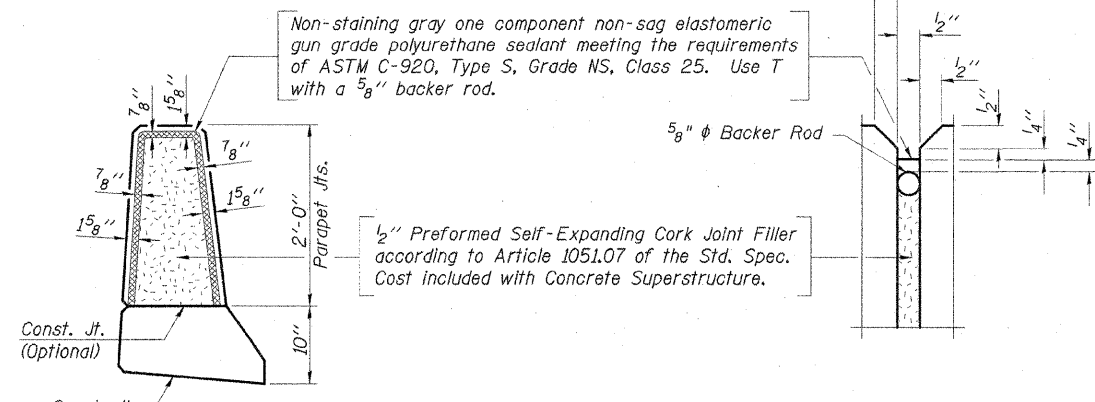
BAR s1 (E)



BAR v (E)



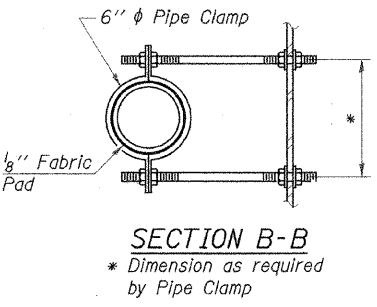
SECTION THRU PARAPET
(Slipforming of parapets shall not be permitted)



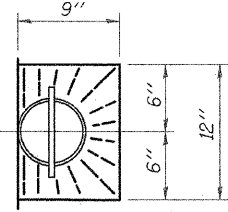
PARAPET JOINT DETAILS

SUPERSTRUCTURE BILL OF MATERIAL

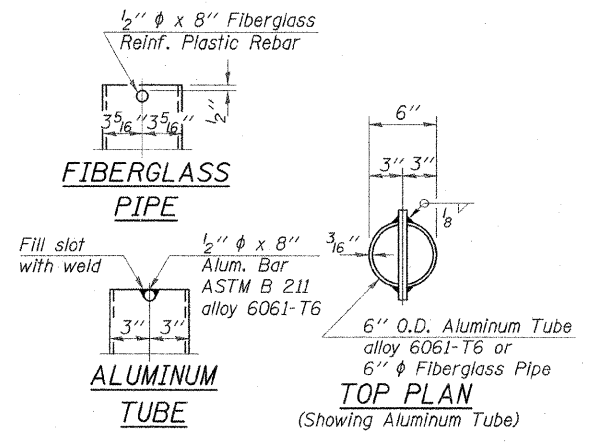
Bar	No.	Size	Length	Shape
a (E)	259	#5	19'-7"	—
a1 (E)	159	#5	18'-11"	—
a2 (E)	518	#6	6'-0"	—
a3 (E)	259	#5	22'-9"	—
a4 (E)	159	#5	22'-1"	—
a5 (E)	4	#5	22'-7"	—
a6 (E)	4	#5	26'-3"	—
b (E)	230	#5	25'-6"	—
b1 (E)	252	#5	21'-7"	—
d (E)	262	#5	5'-7"	∩
d1 (E)	262	#5	7'-10"	∩
e (E)	84	#4	19'-6"	—
e1 (E)	8	#8	32'-3"	—
e2 (E)	10	#4	24'-10"	—
m (E)	4	#6	21'-9"	—
m1 (E)	4	#6	24'-11"	—
m2 (E)	8	#6	22'-10"	—
m3 (E)	8	#6	26'-0"	—
m4 (E)	18	#6	9'-3"	—
m5 (E)	8	#6	8'-0"	—
m6 (E)	4	#6	3'-5"	—
m7 (E)	2	#6	2'-3"	—
m8 (E)	2	#6	5'-5"	—
m9 (E)	18	#6	10'-3"	—
s (E)	92	#5	5'-9"	∩
s1 (E)	81	#4	14'-4"	∩
v (E)	84	#5	3'-4"	∩
Concrete Superstructure			Cu. Yd.	213.3
Reinforcement Bars, Epoxy Coated			Pound	40,560
Bar Splicers			Each	520



SECTION B-B
* Dimension as required by Pipe Clamp



TOP PLAN



FIBERGLASS PIPE

ALUMINUM TUBE

TOP PLAN
(Showing Aluminum Tube)

NOTES:

1. Bars indicated thus 3x2-#4 etc. indicates 3 lines of bars with 2 lengths per line.

REVISIONS	
NAME	DATE

ILLINOIS DEPARTMENT OF TRANSPORTATION
PARAPET DETAILS
F.A.P. ROUTE 726 (IL. RTE. 37)
ILLINOIS ROUTE 37 OVER
LITTLE SALINE CREEK
SECTION 113B-2 STA. 531+81.00
STR. NO. 100-0091 - WILLIAMSON COUNTY
SCALE: NONE
DATE: 12/14/07
DRAWN BY: GLD
CHECKED BY: WLB



I:\DOT\0606601\SL\1000091\Draw\Sheets\PARAPET DETAIL 5.dgn 2/6/2007