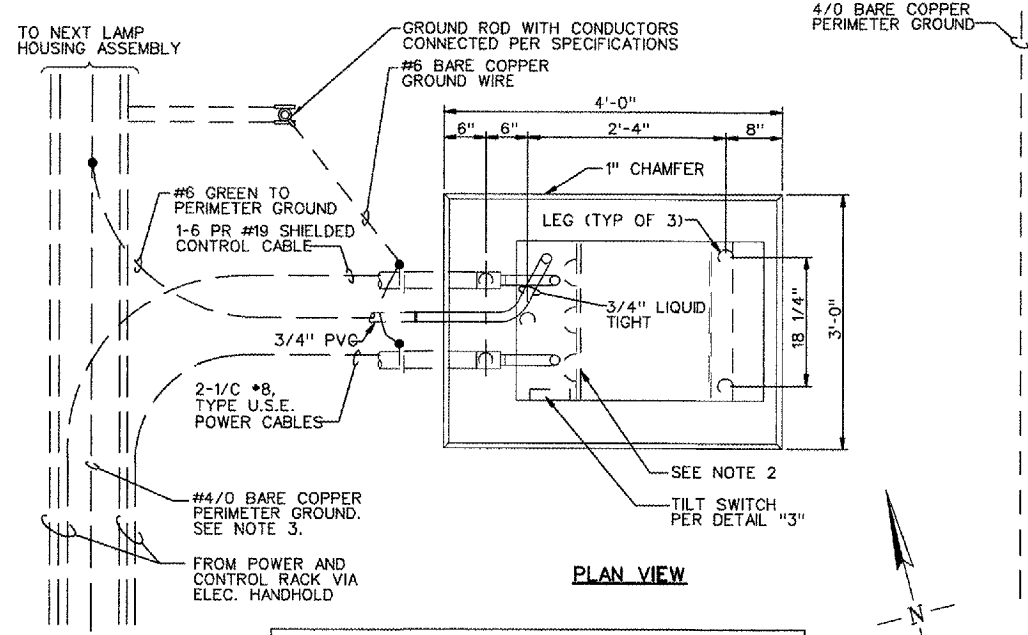
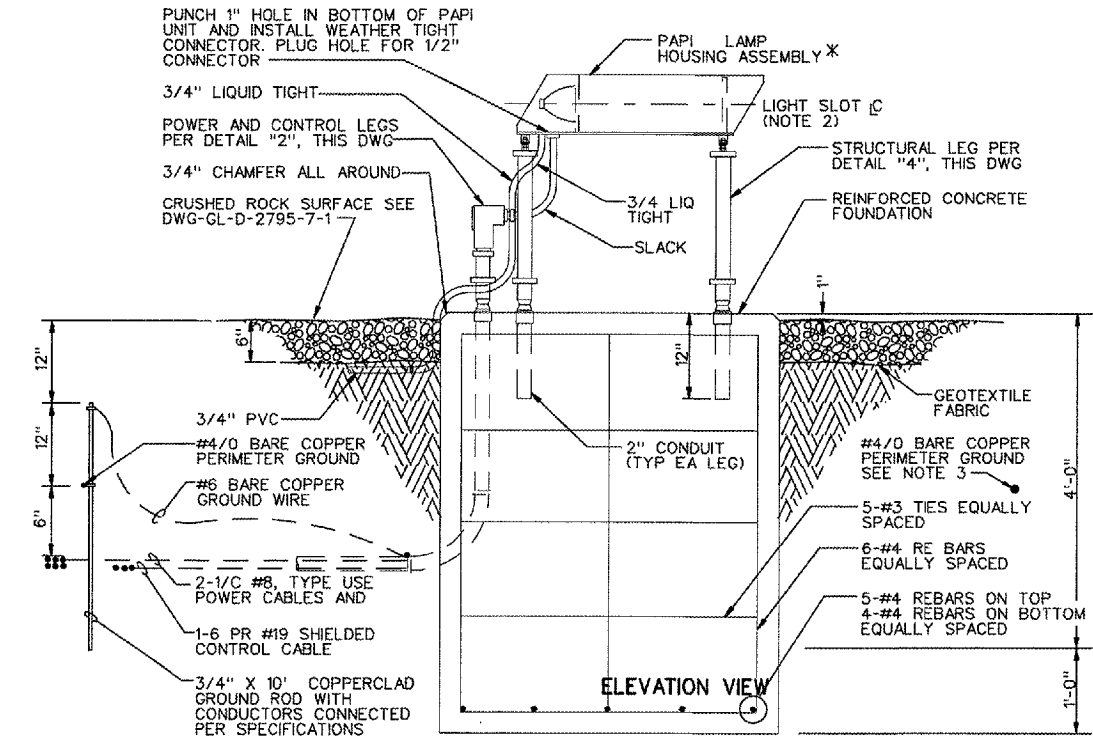


DATE: Wednesday, January 09, 2008 4:56:05 PM
 FILE: K:\Dugdale\072504_Rev_28 PAPI\Draw\Sheet\Instal_Rev_28 PAPI.dwg
 UPDATE BY: Jeremy Linke
 LAYOUT: Layout1
 Copyright CMT, Inc.

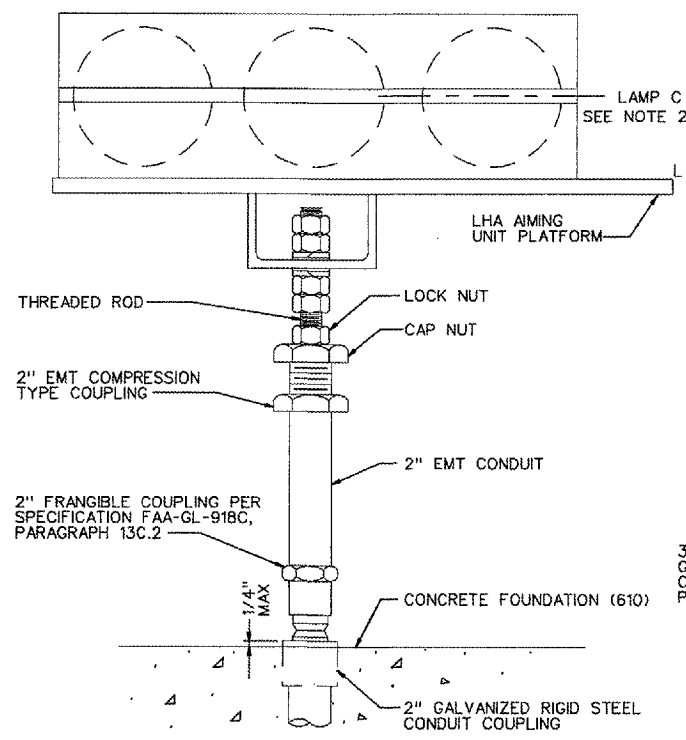


THE PAPI EQUIPMENT SHOWN IS BEDFORD PANORAMIC TYPE AS MANUFACTURED BY GODFREY

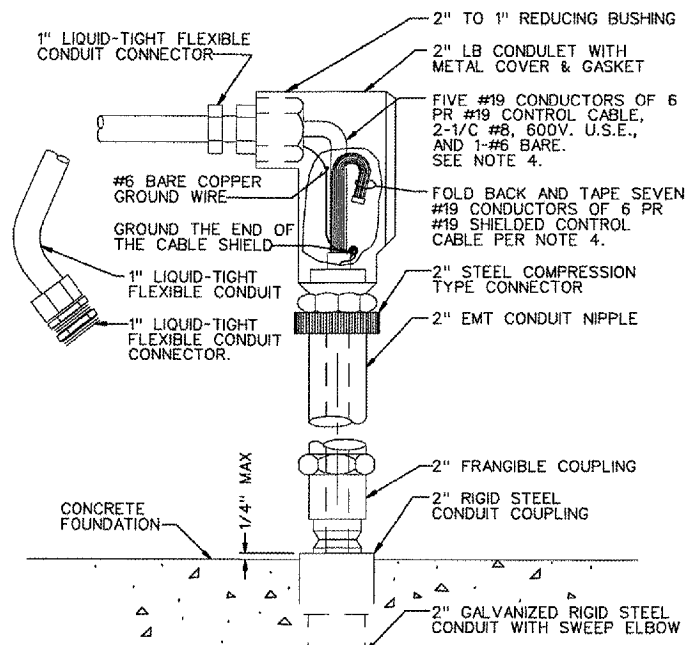


* FURNISHED BY FAA AND INSTALL BY THE CONTRACTOR. ALL OTHER ITEMS SHALL BE FURNISHED AND INSTALLED BY THE CONTRACTOR.

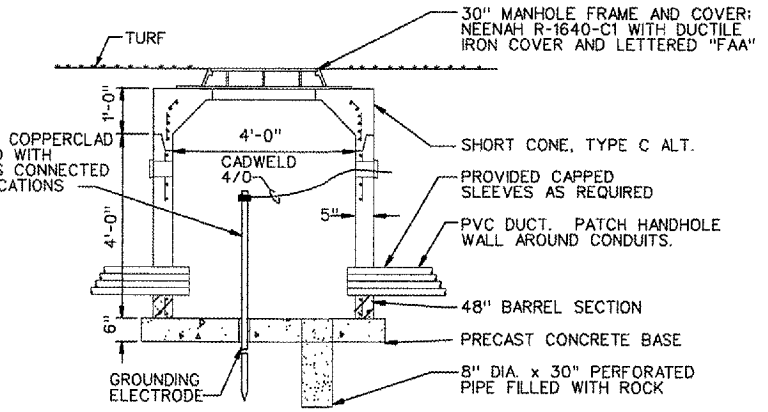
1 PAPI LAMP HOUSING ASSEMBLY (LHA)
 SCALE IN FEET



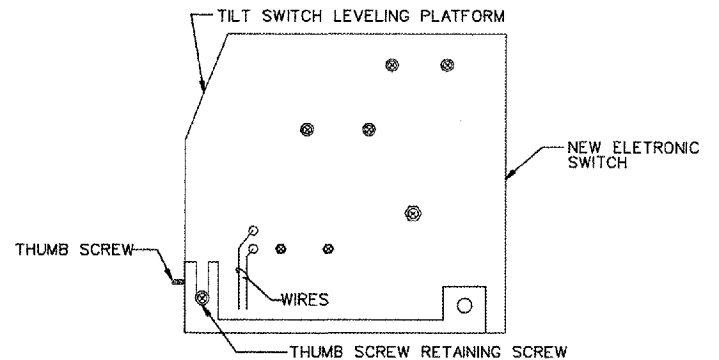
4 LAMP HOUSING ASSEMBLY STRUCTURAL LEG
 SCALE: NONE



2 POWER & CONTROL LEG
 SCALE: NONE



6 ELECTRICAL HANDHOLE
 SCALE: NONE



3 TILT SWITCH DETAILS
 SCALE: NONE

- NOTES**
- REMOVE PENDULUM RETAINING BOLT PRIOR TO AIMING THE PAPI UNIT AND COVERED HOLE WITH TAPE. AIM PAPI UNIT USING THE SUPPLIED AIMING INSTRUMENT AND TIGHTENED ADJUSTING NUTS. SET AIMING INSTRUMENT TO 0 00" AND SET ON TOP OF TILT SWITCH PLATFORM. LOOSEN THUMB SCREW RETAINING SCREW AND ADJUST TILT SWITCH UNTIL PLATFORM IS LEVEL. TIGHTEN THUMB SCREW RETAINING SCREW. TILT SWITCH IS NOW SET. AIMING TO BE COMPLETED BY FAA PERSONEL.
 - FOR LAMP HOUSING ASSEMBLY LAMP CENTERLINE ELEVATION AND AIMING ANGLE, SEE TABLE "A" DWG. GL-D-2795-7-1. THE LAMP HOUSING UNITS ARE INSTALLED SUCH THAT THE BEAM CENTERS OF ALL THE UNITS ARE WITHIN 1 INCH (+/-) OF ELEVATION FROM UNIT TO UNIT.
 - THE #4/0 AWG BARE COPPER PERIMETER GROUND INSTALLED IN A CLOSED LOOP ENCOMPASSING ALL FOUR LAMP HOUSING ASSEMBLIES. GROUNDING RODS INSTALLED AT FOUR CORNERS. THE #6 BURIED GUARD WIRE CAD WELDED WITH THE #4/0 TO A GROUND ROD. SEE SYSTEM WIRING DIAGRAM, DWG GL-D-2795-7-4.
 - INSULATION AND SHIELD REMOVED FROM A LENGTH OF 6 PR #19 SH CONTROL CABLE SUFFICIENT TO PERMIT 5 CONDUCTORS TO REACH THEIR TERMINATIONS IN THE PAPI LAMP HOUSING UNIT WITHOUT STRAIN. INSIDE THE CONDULET, THE END OF THE CABLE SHIELD IS GROUNDED TO THE #6 BARE COPPER GROUND WIRE AND FOLDED BACK WITHOUT CUTTING. THE ENDS OF THE UNUSED SEVEN #19 CONDUCTORS TAPED.

IL. CONTRACT: **DU077**
 IL. LETTING ITEM: **3A**
 IL. PROJECT: **DPA-3769**
 A.I.P. PROJECT: **3-17-0017-B22**

SURVEY BOOK # BOOK #

REVISIONS		
NUMBER	BY	DATE

0 1 2
 THIS BAR IS EQUAL TO 2" AT FULL SCALE (34X22).

DUPAGE AIRPORT
WEST CHICAGO, ILLINOIS
INSTALL RUNWAY 28 PAPI AND RELOCATE REIL LIGHTS
LAMP HOUSING DETAILS
PAPI - RUNWAY 28

© Copyright CMT, Inc.

CMT
 CRAWFORD, MERRIFIELD & TILLY, INC.
 CONSULTING ENGINEERS
 License No. 184-000613

DPA
 DuPage Airport

DESIGN BY:	DLP
DRAWN BY:	JRO
CHECKED BY:	JRL
APPROVED BY:	DLP
DATE:	MARCH 7, 2008
JOB No:	07257-04