

**INDEX OF SHEETS**

- 1 . COVER SHEET
- 2 . GENERAL NOTES
- 3 . SUMMARY OF QUANTITIES
- 4 . TYPICAL SECTIONS - LOCATION NO. 1 - STRUCTURE NO. 050-0237
- 5 . TYPICAL SECTIONS - LOCATION NO. 2 - STRUCTURE NO. 050-0256
- 6 . TYPICAL SECTIONS - LOCATION NO. 3 - STRUCTURE NO. 050-0219
- 7 . TYPICAL SECTIONS - LOCATION NO. 4 - STRUCTURE NO. 050-0246
- 8 - 9 SCHEDULES
- 10 - 11 . EXISTING STRUCTURE PLANS - LOCATION NO. 1 - STRUCTURE NO. 050-0237
- 12 - 13 . EXISTING STRUCTURE PLANS - LOCATION NO. 3 - STRUCTURE NO. 050-0256
- 14 - 16 . EXISTING STRUCTURE PLANS - LOCATION NO. 4 - STRUCTURE NO. 050-0219
- 17 - 18 . EXISTING STRUCTURE PLANS - LOCATION NO. 5 - STRUCTURE NO. 050-0246

**HIGHWAY STANDARDS**

- 000001-08 STANDARD SYMBOLS, ABBREVIATIONS AND PATTERNS
- 001006 DECIMAL OF AN INCH AND OF A FOOT
- 701001-02 OFF-ROAD OPERATIONS 2L, 2W, MORE THAN 15' (4.5 m) AWAY
- 701006-05 OFF-ROAD OPERATIONS 2L, 2W, 15' (4.5 m) TO 24" (600 mm) FROM PAVEMENT EDGE
- 701301-04 LANE CLOSURE, 2L, 2W, SHORT TIME OPERATIONS
- 701501-06 URBAN LANE CLOSURE, 2L, 2W, UNDIVIDED
- 701901-10 TRAFFIC CONTROL DEVICES

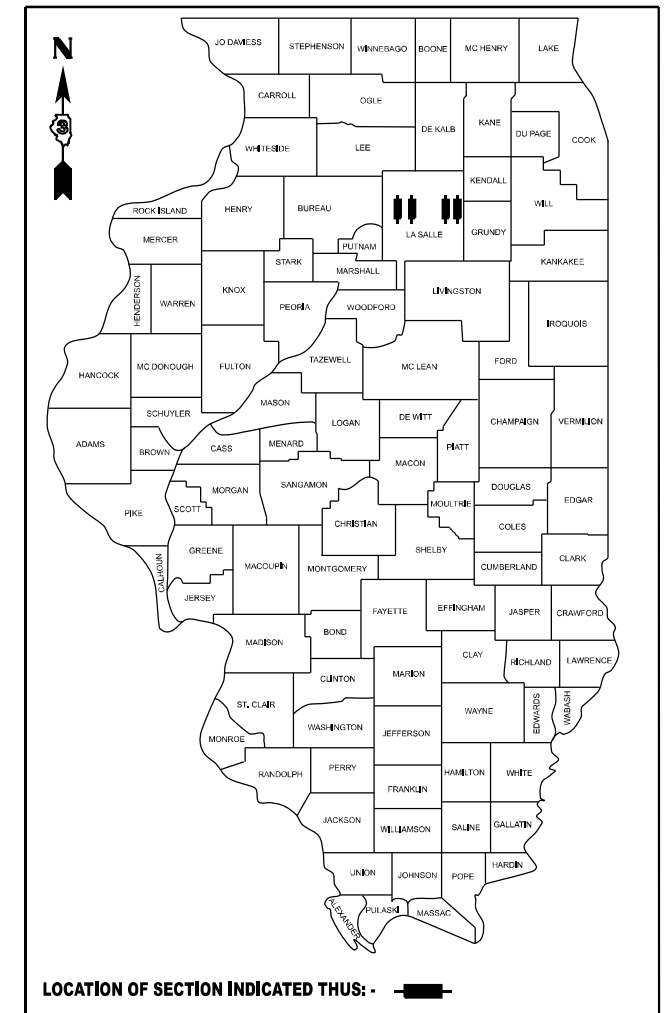
**STATE OF ILLINOIS  
DEPARTMENT OF TRANSPORTATION**

**PROPOSED  
HIGHWAY PLANS**

**ROUTES VARIOUS  
SECTION RIVER BRIDGE WASHING 2025  
PROJECT STP-CXKU(351)  
BRIDGE WASHING AND  
BRIDGE DECK CONCRETE SEALING  
LASALLE  
C-93-078-23**

F.A. RTE.	SECTION	COUNTY	TOTAL SHEETS	SHEET NO.
VAR	RIVER BRIDGE WASHING 2025	LASALLE	18	1
		ILLINOIS	CONTRACT NO. 66N42	

D-93-057-23

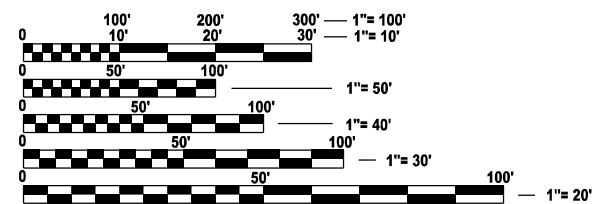


**PROJECT LOCATION NO. 1**  
STRUCTURE NO. 050-0237  
CARRYING F.A.P. ROUTE 619 (IL 351)  
OVER THE ILLINOIS RIVER  
1.0 MILES SOUTH OF US ROUTE 6  
LASALLE COUNTY

**PROJECT LOCATION NO. 2**  
STRUCTURE NO. 050-0256  
CARRYING F.A.S. ROUTE 1279 (IL 178)  
OVER THE ILLINOIS RIVER  
2.2 MILES SOUTH OF US ROUTE 6  
LASALLE COUNTY

**PROJECT LOCATION NO. 3**  
STRUCTURE NO. 050-0219  
CARRYING C.H. 15  
OVER THE ILLINOIS RIVER  
0.4 MILES SOUTH OF US ROUTE 6  
LASALLE COUNTY

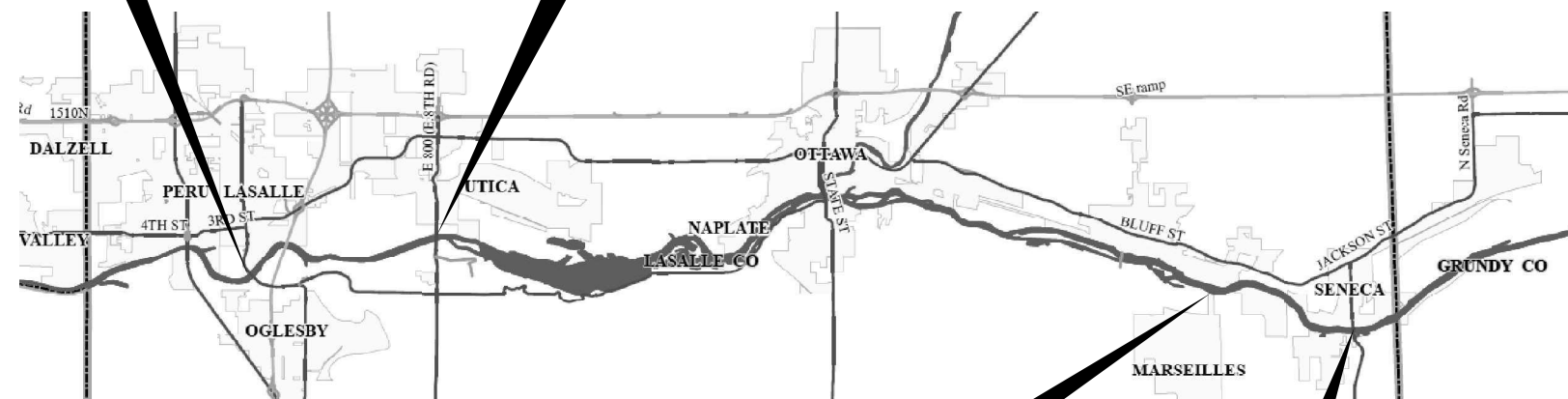
**PROJECT LOCATION NO. 4**  
STRUCTURE NO. 050-0246  
CARRYING F.A.P. ROUTE 786 (IL 170)  
OVER THE ILLINOIS RIVER  
1.3 MILES SOUTH OF US ROUTE 6  
LASALLE COUNTY



FULL SIZE PLANS HAVE BEEN PREPARED USING STANDARD ENGINEERING SCALES. REDUCED SIZED PLANS WILL NOT CONFORM TO STANDARD SCALES. IN MAKING MEASUREMENTS ON REDUCED PLANS, THE ABOVE SCALES MAY BE USED.

J.U.L.I.E.  
JOINT UTILITY LOCATION INFORMATION FOR EXCAVATION  
1-800-892-0123  
OR 811

**PROJECT ENGINEER: YOGESH PATEL P.E.**  
**UNIT CHIEF: RON WOODSHANK**  
**DISTRICT 3 (815) 434-6131**  
**CONTRACT NO. 66N42**



STATE OF ILLINOIS  
DEPARTMENT OF TRANSPORTATION

SUBMITTED December 11, 2024

*Trisha Thompson* REGIONAL ENGINEER

January 31, 2025

*Scott A. [Signature]* ENGINEER OF DESIGN AND ENVIRONMENT

January 31, 2025

*[Signature]* DIRECTOR OF HIGHWAYS PROJECT IMPLEMENTATION

**PRINTED BY THE AUTHORITY  
OF THE STATE OF ILLINOIS**

## GENERAL NOTES

BRIDGE WASHIG SHALL INCLUDE THE BRIDGE DECK SURFACE, INSIDE FACE AND TOP SURFACE OF PARAPETS, DECK DRAINS, SCUPPERS, ALL ELEMENTS OF THE SUPERSTRUCTURE, (STEEL FRAMING) AND SUBSTRUCTURE ELEMENTS, (TOP OF ABUTMENT BEARING SEATS AND TOPS OF ALL PIERS).

EXISTING STRUCTURE PLANS FOR STRUCTURE NO. 050-0237 (LASALLE) AND STRUCTURE NO. 050-0219 (MARSEILLES) ARE IN METRIC MEASUREMENT.

EXISTING STRUCTURE PLANS FOR STRUCTURE NO. 050-0256 (UTICA) AND STRUCTURE NO. 050-0246 (SENECA) ARE IN ENGLISH MEASUREMENT.

## COMMITMENTS

PRIOR TO BEGINNING ANY CONSTRUCTION WORK ON THIS PROJECT, THE RESIDENT ENGINEER/TECHNICIAN, AND THE CONTRACTOR SHALL VERIFY THE FULL SCOPE OF WORK AS SPECIFIED IN THE PLANS AND CONTRACT DOCUMENTS.

## FUNCTIONAL CLASSIFICATIONS

### LOCATION 1

SN 050-0237

FUNCTIONAL CLASSIFICATION  
URBAN MINOR ARTERIAL  
F.A.P. ROUTE 619 (IL 351)  
2019 ADT 4750  
P.V. 97.3% S.U. 2.3% M.U. 0.4%

### LOCATION 2

SN 050-0256

FUNCTIONAL CLASSIFICATION  
RURAL MAJOR COLLECTOR  
F.A.S. ROUTE 1279 (IL 178)  
2021 ADT 2350  
P.V. 85.6% S.U. 4.2% M.U. 8.5%

### LOCATION 3

SN 050-0219

FUNCTIONAL CLASSIFICATION  
RURAL MAJOR COLLECTOR  
F.A.S. ROUTE 268A (CH 15)  
2020 ADT 3450  
P.V. 100% S.U. 0.0% M.U. 0.0%

### LOCATION 4

SN 050-0246

FUNCTIONAL CLASSIFICATION  
RURAL MINOR ARTERIAL  
F.A.P. ROUTE 786 (IL 170)  
2021 ADT 5700  
P.V. 85.6% S.U. 3.3% M.U. 6.6%

STATE OF ILLINOIS  
DEPARTMENT OF TRANSPORTATION  
DISTRICT THREE  
AS BUILT INFORMATION

\_\_\_\_\_  
SUPERVISING CONSTRUCTION FIELD ENGINEER

\_\_\_\_\_  
RESIDENT ENGINEER / TECHNICIAN

START & END DATES  
OF CONSTRUCTION:

INSPECTORS:

\_\_\_\_\_  
\_\_\_\_\_  
\_\_\_\_\_

MODEL: D:\inf\...  
FILE NAME: ...

USER NAME = ronald.woodshank	DESIGNED - RW	REVISED -
DRAWN - RW	REVISIONS -	
PLOT SCALE = \$SCALE\$	CHECKED - YP	REVISED -
PLOT DATE = 8/28/2024	DATE - 3/17/2023	REVISED -

STATE OF ILLINOIS  
DEPARTMENT OF TRANSPORTATION

### GENERAL NOTES

SCALE: SHEET 1 OF 1 SHEETS STA. TO STA.

F.A. RTE.	SECTION	COUNTY	TOTAL SHEETS	SHEET NO.
VAR	RIVER BRIDGE WASHING 2025	LASALLE	18	2
			CONTRACT NO. 66N42	
		ILLINOIS	FED. AID PROJECT	

CODE NO.	ITEM	UNIT	TOTAL QUANTITY	CONSTRUCTION CODE			
				80% FED / 20% STATE STP-URB	80% FED / 20% STATE STP-RUR	80% FED / 20% STATE STP-RUR	80% FED / 20% STATE STP-RUR
				BRIDGE	BRIDGE	BRIDGE	BRIDGE
				0047	0047	0047	0047
				S.N. 050-0237	S.N. 050-0256	S.N. 050-0219	S.N. 050-0246
59200101	BRIDGE WASHING NO. 1	FACH	1	1			
59200102	BRIDGE WASHING NO. 2	EACH	1		1		
59200103	BRIDGE WASHING NO. 3	EACH	1			1	
59200104	BRIDGE WASHING NO. 4	EACH	1				1
67100100	MOBILIZATION	L SUM	0.8	0.2	0.2	0.2	0.2
70102621	TRAFFIC CONTROL AND PROTECTION, STANDARD 701501	EACH	4	1	1	1	1
70107025	CHANGEABLE MESSAGE SIGN	CAL DA	60	15	15	15	15
X5870015	BRIDGE DECK CONCRETE SEALER	SQ FT	323009	88319	68576	80959	85155

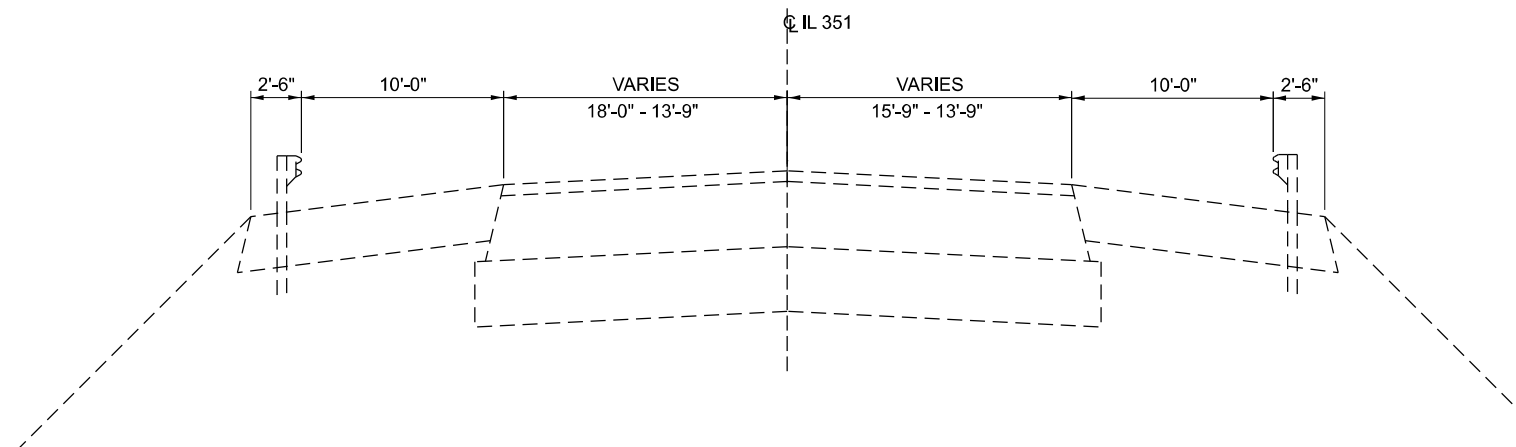
MODEL: D:\infuit...  
 FILE NAME: D:\infuit...

USER NAME = ronald.woodshank	DESIGNED - RW	REVISED -
DRAWN - RW	CHECKED - YP	REVISED -
PLOT SCALE = \$SCALE\$	DATE - 3/17/2023	REVISED -
PLOT DATE = 7/31/2024		

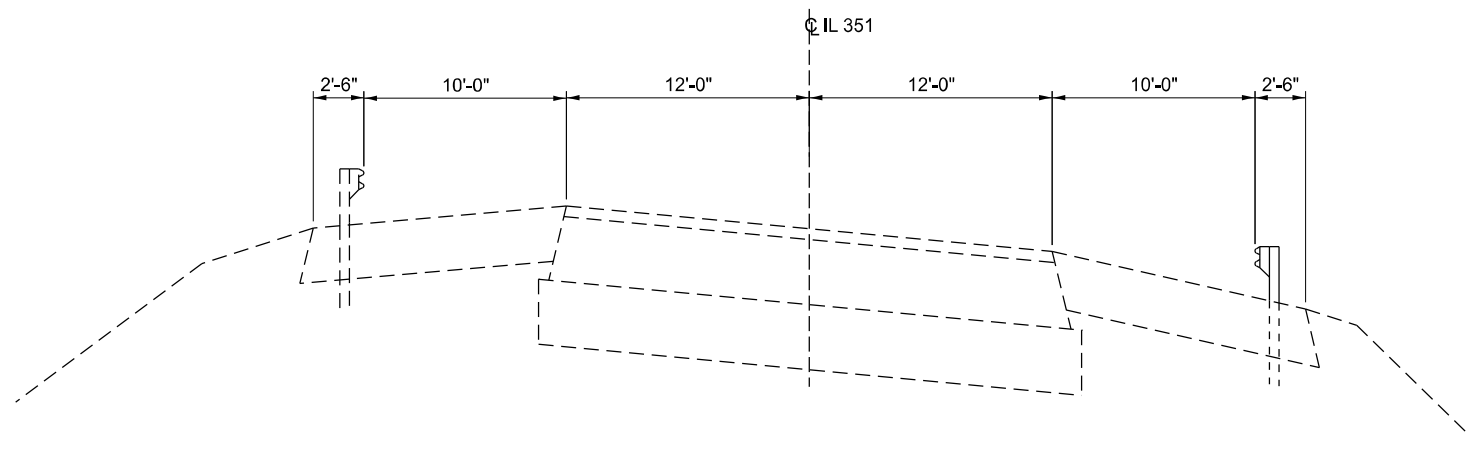
**STATE OF ILLINOIS  
DEPARTMENT OF TRANSPORTATION**

SUMMARY OF QUANTITIES			
SCALE:	SHEET 1	OF 1 SHEETS	STA. TO STA.

F.A. RTE.	SECTION	COUNTY	TOTAL SHEETS	SHEET NO.
VAR	RIVER BRIDGE WASHING 2025	LASALLE	18	3
			CONTRACT NO. 66N42	
		ILLINOIS	FED. AID PROJECT	



**TYPICAL SECTION NO. 1**  
**IL ROUTE 351**  
**NORTH OF THE RIVER**



**TYPICAL SECTION NO. 2**  
**IL ROUTE 351**  
**SOUTH OF THE RIVER**

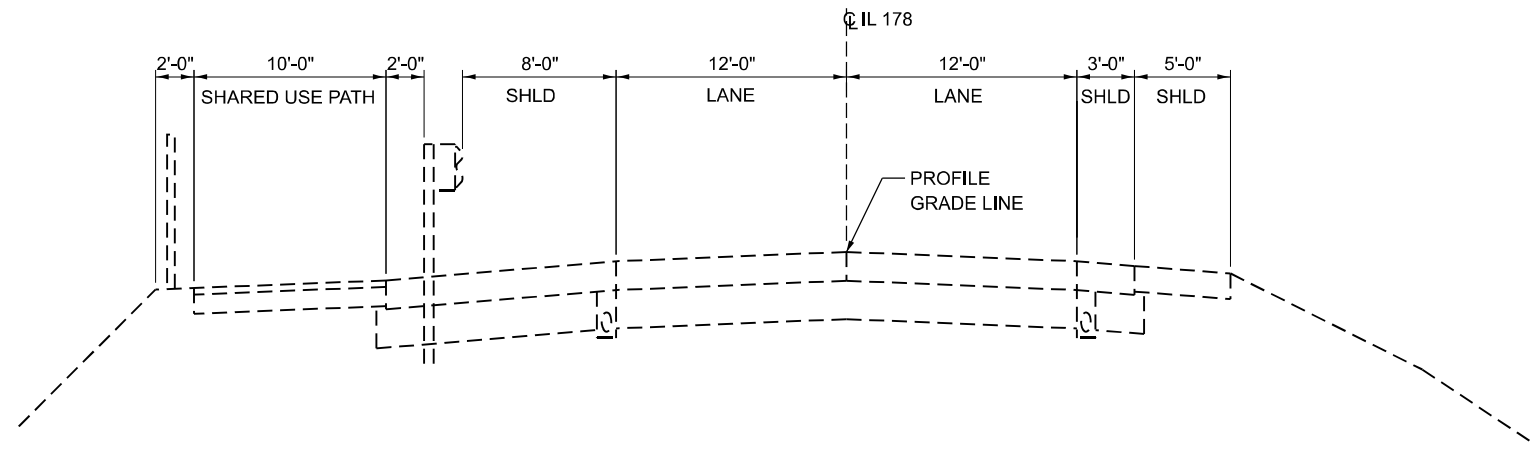
MODEL: D:\inf\...  
 FILE NAME: ...

USER NAME = ronald.woodshank	DESIGNED - RW	REVISED -
DRAWN - RW	CHECKED - YP	REVISED -
PLOT SCALE = \$SCALE\$	DATE - 3/17/2023	REVISED -
PLOT DATE = 7/22/2024		

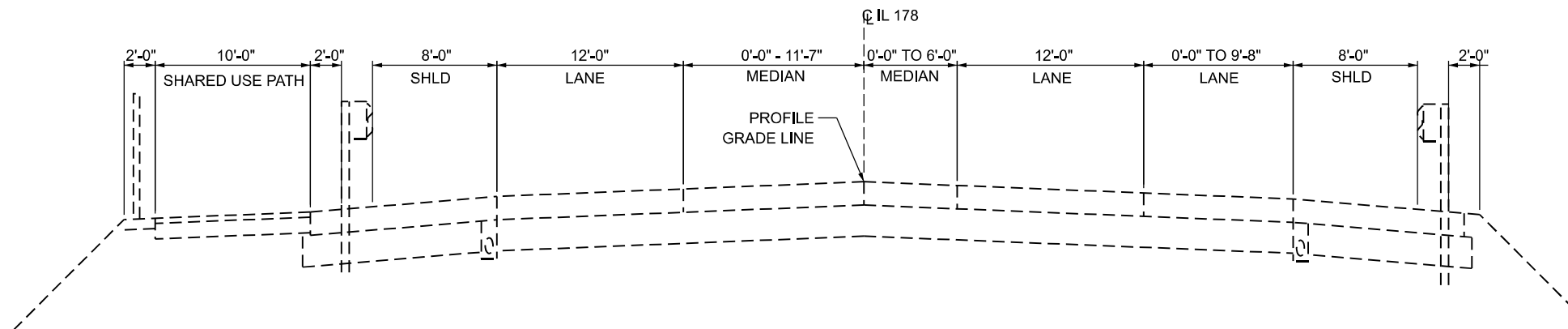
**STATE OF ILLINOIS**  
**DEPARTMENT OF TRANSPORTATION**

TYPICAL SECTIONS			
LOCATION NO. 1 - STRUCTURE NO. 050-0237 (LASALLE)			
SCALE:	SHEET 1	OF 5 SHEETS	STA. TO STA.

F.A. RTE.	SECTION	COUNTY	TOTAL SHEETS	SHEET NO.
VAR	RIVER BRIDGE WASHING 2025	LASALLE	18	4
			CONTRACT NO. 66N42	
		ILLINOIS	FED. AID PROJECT	



**TYPICAL SECTION NO. 5**  
**IL 178**  
 NORTH OF THE RIVER



**TYPICAL SECTION NO. 6**  
**IL 178**  
 SOUTH OF THE RIVER

MODEL: D:\inf\...  
 FILE NAME: ...

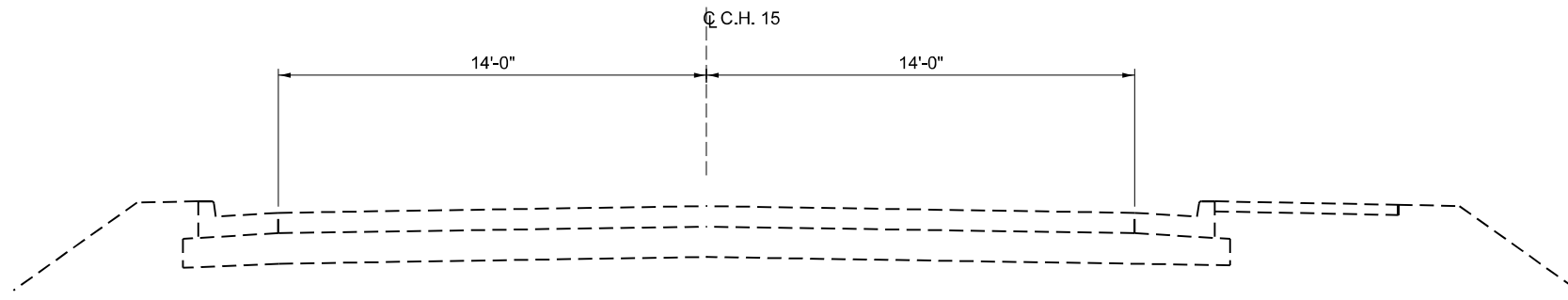
USER NAME = ronald.woodshank	DESIGNED - RW	REVISED -
DRAWN - RW	CHECKED - YP	REVISED -
PLOT SCALE = \$SCALE\$	DATE - 3/17/2023	REVISED -
PLOT DATE = 7/22/2024		

**STATE OF ILLINOIS**  
**DEPARTMENT OF TRANSPORTATION**

**TYPICAL SECTIONS**  
**LOCATION NO. 3 - STRUCTURE NO. 050-0256 (UTICA)**

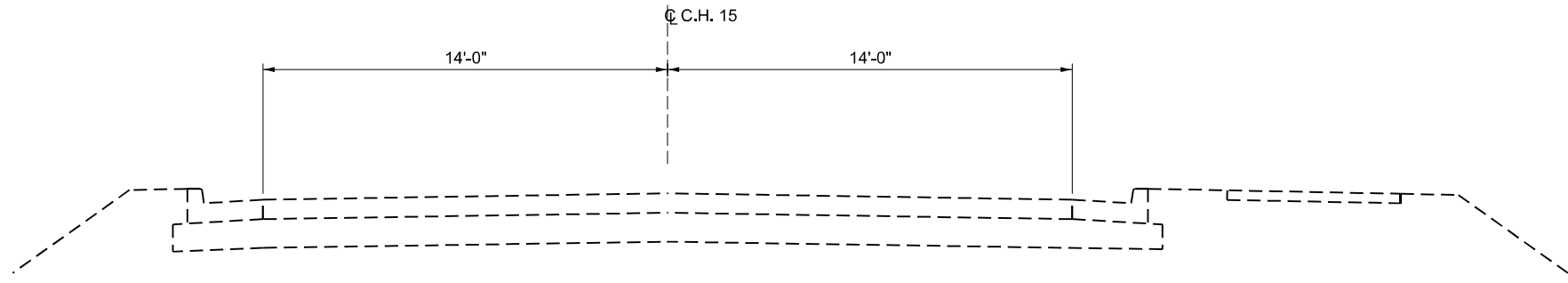
SCALE: SHEET 3 OF 5 SHEETS STA. TO STA.

F.A. RTE.	SECTION	COUNTY	TOTAL SHEETS	SHEET NO.
VAR	RIVER BRIDGE WASHING 2025	LASALLE	18	5
			CONTRACT NO. 66N42	
		ILLINOIS FED. AID PROJECT		



**TYPICAL SECTION NO. 7**  
**C.H. 19**

**NORTH OF THE RIVER**



**TYPICAL SECTION NO. 8**  
**C.H. 19**

**SOUTH OF THE RIVER**

MODEL: D:\in\it... FILE NAME: ...

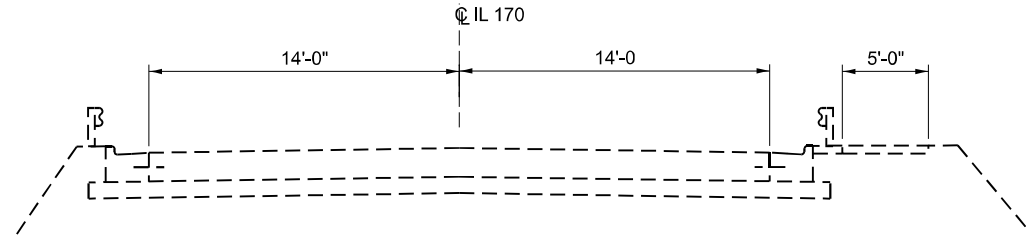
USER NAME = ronald.woodshank	DESIGNED - RW	REVISED -
	DRAWN - RW	REVISED -
PLOT SCALE = \$SCALE\$	CHECKED - YP	REVISED -
PLOT DATE = 7/22/2024	DATE - 3/17/2023	REVISED -

**STATE OF ILLINOIS**  
**DEPARTMENT OF TRANSPORTATION**

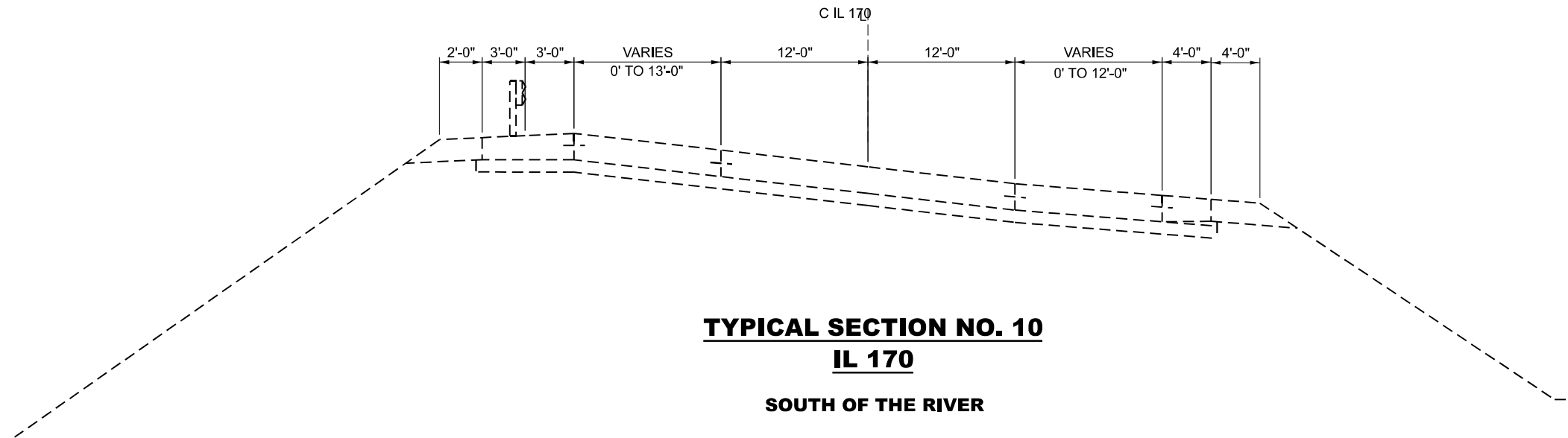
**TYPICAL SECTIONS**  
**LOCATION NO. 4 - STRUCTURE NO. 050-0219 (MARSEILLES)**

SCALE: SHEET 2 OF 5 SHEETS STA. TO STA.

F.A. RTE.	SECTION	COUNTY	TOTAL SHEETS	SHEET NO.
VAR	RIVER BRIDGE WASHING 2025	LASALLE	18	6
			CONTRACT NO. 66N42	
		ILLINOIS	FED. AID PROJECT	



**TYPICAL SECTION NO. 9**  
**IL 170**  
**NORTH OF THE RIVER**



**TYPICAL SECTION NO. 10**  
**IL 170**  
**SOUTH OF THE RIVER**

MODEL: D:\inf\...  
 FILE NAME: ...

USER NAME = ronald.woodshank	DESIGNED - RW	REVISED -
	DRAWN - RW	REVISED -
PLOT SCALE = \$SCALE\$	CHECKED - YP	REVISED -
PLOT DATE = 7/22/2024	DATE - 3/17/2023	REVISED -

**STATE OF ILLINOIS**  
**DEPARTMENT OF TRANSPORTATION**

<b>TYPICAL SECTIONS</b>			
<b>LOCATION NO. 5 - STRUCTURE NO. 050-0246 (SENECA)</b>			
SCALE:	SHEET 3	OF 5 SHEETS	STA. TO STA.

F.A. RTE.	SECTION	COUNTY	TOTAL SHEETS	SHEET NO.
VAR	RIVER BRIDGE WASHING 2025	LASALLE	18	7
			CONTRACT NO. 66N42	
		ILLINOIS	FED. AID PROJECT	

**SCHEDULE - STRUCTURE NO. 050-0237 (LASALLE)**

LOCATION			BRIDGE WASHING NO. 1	BRIDGE DECK CONCRETE SEALER														
				SOUTH ABUT.	PIER 1	PIER 2	PIER 3	PIER 4	PIER 5	PIER 6	PIER 7	NO. ABUT.	SB PARAPET	SB SHOULDER	SB DRIVE LANE	NB DRIVE LANE	NB SHOULDER	NB PARAPET
STA.	TO	STA.	EACH	SQ FT	SQ FT	SQ FT	SQ FT	SQ FT	SQ FT	SQ FT	SQ FT	SQ FT	SQ FT	SQ FT	SQ FT	SQ FT	SQ FT	
1+605.000			0.004	336														
1+605.000	TO	1+651.480	0.083										605	1220	1830	1830	1220	605
1+651.480			0.004		317													
1+651.480	TO	1+708.930	0.102										748	1508	2262	2262	1508	748
1+708.930			0.004			317												
1+708.930	TO	1+754.910	0.082										599	1207	1810	1810	1207	599
1+754.910			0.004				317											
1+754.910	TO	1+846.790	0.164										1197	2412	3617	3617	2412	1197
1+846.790			0.004						317									
1+846.790	TO	1+959.790	0.201										1472	2966	4449	4449	2966	1472
1+959.790			0.004							317								
1+959.790	TO	2+051.670	0.164										1197	2412	3617	3617	2412	1197
2+051.670			0.004								317							
2+051.670	TO	2+098.535	0.083										610	1230	1845	1845	1230	610
2+098.535			0.004															
2+098.535	TO	2+146.000	0.085										618	1246	1869	1869	1246	618
2+146.000			0.004	336									336					
SUBTOTAL				672	317	317	317	317	317	317	317	336	7046	14201	21299	21299	14201	7046
<b>TOTAL</b>			<b>1</b>	<b>88319</b>														

**SCHEDULE - STRUCTURE NO. 050-0256 (UTICA)**

LOCATION			BRIDGE WASHING NO. 2	BRIDGE DECK CONCRETE SEALER											
				NORTH ABUT.	PIER 1	PIER 2	SO. ABUT.	SB SIDEWALK	SB PARAPET	SB SHOULDER	SB DRIVE LANE	NB DRIVE LANE	NB SHOULDER	NB PARAPET	
STA.	TO	STA.	EACH	SQ FT	SQ FT	SQ FT	SQ FT	SQ FT	SQ FT	SQ FT	SQ FT	SQ FT	SQ FT	SQ FT	
23+47.77			0.012	792											
23+47.77	TO	27+07.52	0.299						3446	2446	2159	4317	4317	2159	1428
27+07.52			0.006			431									
27+07.52	TO	31+47.52	0.366						4215	2992	2640	5280	5280	2640	1747
31+47.52			0.006				431								
31+47.52	TO	35+07.27	0.299						3446	2446	2159	4317	4317	2159	1428
35+07.27			0.012					792							
SUBTOTAL				792	431	431	792		11107	7884	6958	13914	13914	6958	4603
<b>TOTAL</b>			<b>1</b>	<b>67784</b>											

MODEL: D:\inf\... FILE NAME: ...

USER NAME = ronald.woodshank	DESIGNED - RW	REVISED -
DRAWN - RW	CHECKED - YP	REVISED -
PLOT SCALE = \$SCALE\$	DATE - 3/17/2023	REVISED -
PLOT DATE = 7/22/2024		

**STATE OF ILLINOIS  
DEPARTMENT OF TRANSPORTATION**

**SCHEDULES**

SCALE: SHEET 1 OF 2 SHEETS STA. TO STA.

F.A. RTE.	SECTION	COUNTY	TOTAL SHEETS	SHEET NO.
VAR	RIVER BRIDGE WASHING 2025	LASALLE	18	8
CONTRACT NO. 66N42				
ILLINOIS FED. AID PROJECT				



**SCHEDULE - STRUCTURE NO. 050-0219 (MARSEILLES)**

LOCATION			BRIDGE WASHING NO. 3	BRIDGE DECK CONCRETE SEALER																	
				SOUTH ABUT.	PIER 1	PIER 2	PIER 3	PIER 4	PIER 5	PIER 6	PIER 7	PIER 8	NO. ABUT.	SB PARAPET	SB SHOULDER	SB DRIVE LANE	NB DRIVE LANE	NB SHOULDER	NB PARAPET	NB SIDEWALK	
STA.	TO	STA.	EACH	SQ FT	SQ FT	SQ FT	SQ FT	SQ FT	SQ FT	SQ FT	SQ FT	SQ FT	SQ FT	SQ FT	SQ FT	SQ FT	SQ FT	SQ FT	SQ FT		
1+268.685			0.004	309																	
1+268.685	TO	1+310.940	0.08											550	416	1664	1664	416	943	832	
1+310.940			0.003		238																
1+310.940	TO	1+353.000	0.08											548	414	1656	1656	414	938	828	
1+353.000			0.003			238															
1+353.000	TO	1+424.550	0.136											932	704	2817	2817	704	1596	1409	
1+424.550			0.003				260														
1+424.550	TO	1+515.230	0.173											1181	893	3570	3570	893	2023	1785	
1+515.230			0.003					260													
1+515.230	TO	1+586.780	0.136											932	704	2817	2817	704	1596	1409	
1+586.780			0.003						262												
1+586.780	TO	1+634.430	0.091											621	469	1876	1876	469	1063	938	
1+634.430			0.003							262											
1+634.430	TO	1+681.625	0.09											615	465	1858	1858	465	1053	929	
1+681.625			0.003								262										
1+681.625	TO	1+728.820	0.09											615	465	1858	1858	465	1053	929	
1+728.820			0.003									262									
1+728.820	TO	1+776.903	0.091											626	473	1893	1893	473	1073	947	
1+776.903			0.004										309								
SUBTOTAL				309	238	238	260	260	262	262	262	262	309	6620	5003	20009	20009	5003	11338	10006	
<b>TOTAL</b>			<b>1</b>	<b>80650</b>																	

**SCHEDULE - STRUCTURE NO. 050-0246 (SENECA)**

LOCATION			BRIDGE WASHING NO. 4	BRIDGE DECK CONCRETE SEALER																	
				NORTH ABUT.	PIER 1	PIER 2	PIER 3	PIER 4	PIER 5	PIER 6	PIER 7	PIER 8	PIER 9	SO. ABUT.	SB SIDEWALK	SB PARAPET	SB SHOULDER	SB DRIVE LANE	NB DRIVE LANE	NB SHOULDER	NB PARAPET
STA.	TO	STA.		SQ FT	SQ FT	SQ FT	SQ FT	SQ FT	SQ FT	SQ FT	SQ FT	SQ FT	SQ FT	SQ FT	SQ FT	SQ FT	SQ FT	SQ FT	SQ FT	SQ FT	
71+96.83			0.003	272																	
71+96.83	TO	73+16.83	0.064												600	816	360	1440	1440	360	476
73+16.83			0.002		133																
73+16.83	TO	74+36.83	0.064												600	816	360	1440	1440	360	476
74+36.83			0.003			240															
74+36.83	TO	77+31.92	0.159												1475	2007	885	3541	3541	885	1172
77+31.92			0.004				304														
77+31.92	TO	80+89.42	0.192												1788	2431	1073	4290	4290	1073	1419
80+89.42			0.004					304													
80+89.42	TO	83+72.00	0.152												1413	1922	848	3391	3391	848	1122
83+72.00			0.003						240												
83+72.00	TO	84+78.00	0.061												530	721	318	1643	1272	318	421
84+78.00			0.002							145											
84+78.00	TO	86+26.00	0.094												740	1006	444	3034	1776	444	588
86+26.00			0.002								162										
86+26.00	TO	87+32.00	0.072												530	721	318	2544	1272	318	421
87+32.00			0.003									216									
87+32.00	TO	88+09.75	0.053												389	529	233	1866	933	233	309
88+09.75			0.002										175								
88+09.75	TO	88+97.42	0.059												438	596	263	2104	1052	263	348
88+97.42			0.003										240								
SUBTOTAL				272	133	240	304	304	240	145	162	216	175	240	8503	11565	5102	25293	20407	5102	6752
<b>TOTAL</b>			<b>1</b>	<b>85155</b>																	

MODEL: D:\inf\... FILE NAME: ...

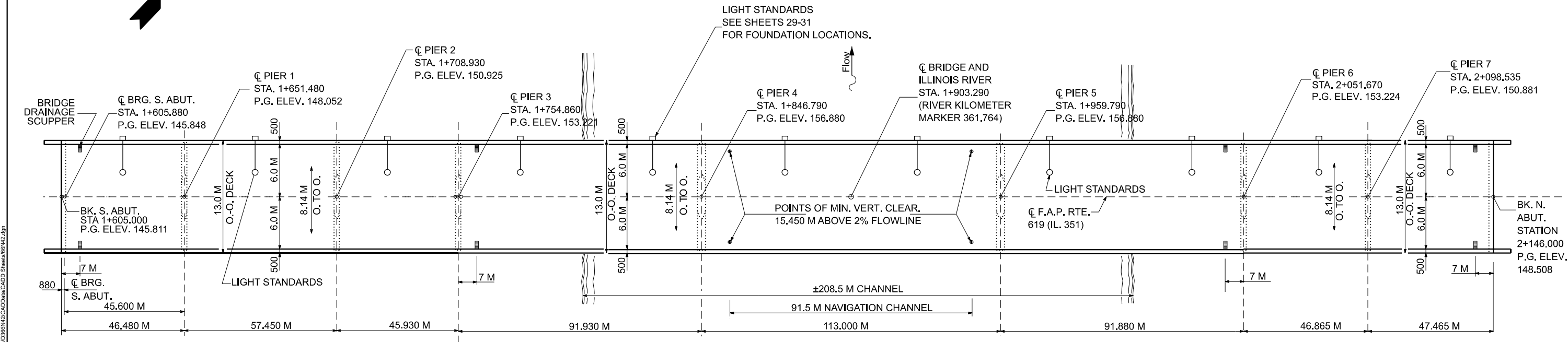
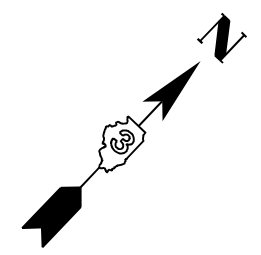
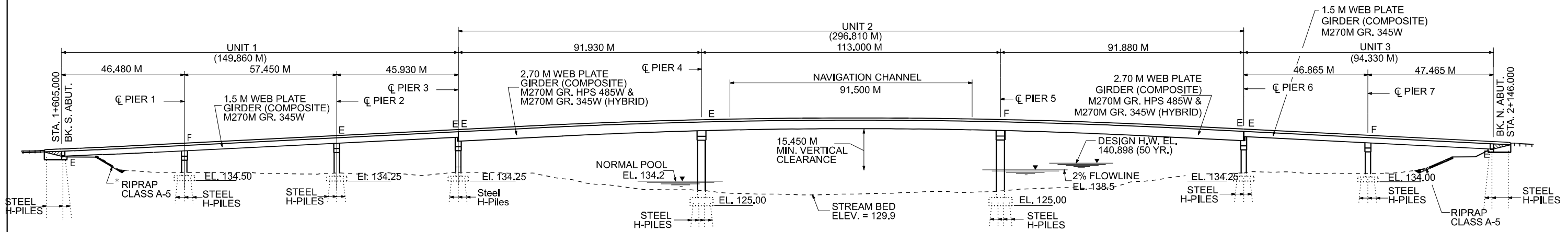
USER NAME = ronald.woodshank	DESIGNED - RW	REVISED -
DRAWN - RW	CHECKED - YP	REVISED -
PLOT SCALE = \$SCALES	DATE - 3/17/2023	REVISED -
PLOT DATE = 7/22/2024		

**STATE OF ILLINOIS  
DEPARTMENT OF TRANSPORTATION**

**SCHEDULES**

SCALE: SHEET 2 OF 2 SHEETS STA. TO STA.

F.A. RTE.	SECTION	COUNTY	TOTAL SHEETS	SHEET NO.
VAR	RIVER BRIDGE WASHING 2025	LASALLE	18	9
CONTRACT NO. 66N42				
ILLINOIS FED. AID PROJECT				



MODEL: D:\inf\...  
 FILE NAME: ...  
 PROJECT: ...  
 SHEET: ...

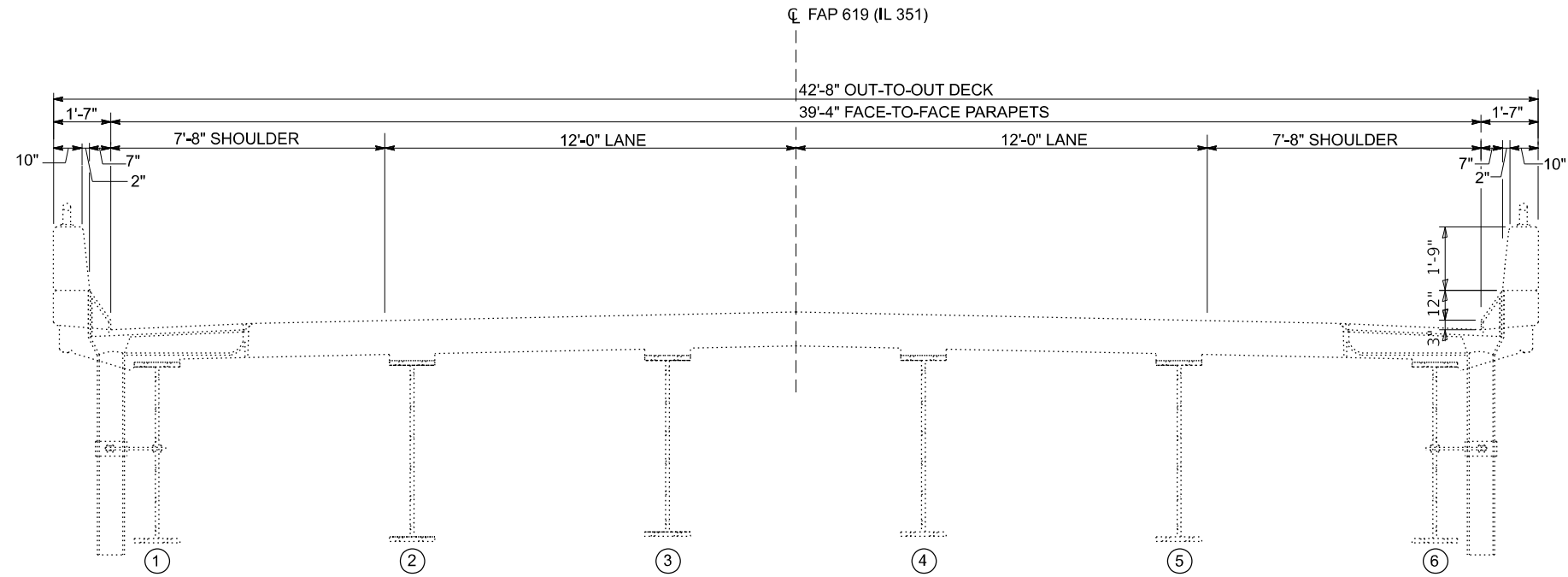
USER NAME = ronald.woodshank	DESIGNED - RW	REVISED -
	DRAWN - RW	REVISED -
PLOT SCALE = \$SCALE\$	CHECKED - YP	REVISED -
PLOT DATE = 7/22/2024	DATE - 3/17/2023	REVISED -

**STATE OF ILLINOIS  
 DEPARTMENT OF TRANSPORTATION**

**EXISTING GENERAL PLAN AND ELEVATION  
 LOCATION NO. 1 - STRUCTURE NO. 050-0237 (LASALLE)**

SCALE: SHEET 1 OF 2 SHEETS STA. TO STA.

F.A. RTE.	SECTION	COUNTY	TOTAL SHEETS	SHEET NO.
VAR	RIVER BRIDGE WASHING 2025	LASALLE	18	10
CONTRACT NO. 66N42				
ILLINOIS		FED. AID PROJECT		



**TYPICAL CROSS SECTION**

STA. 52+64.40 TO STA. 70+38.75

MODEL: D:\inf\...  
 FILE NAME: ...

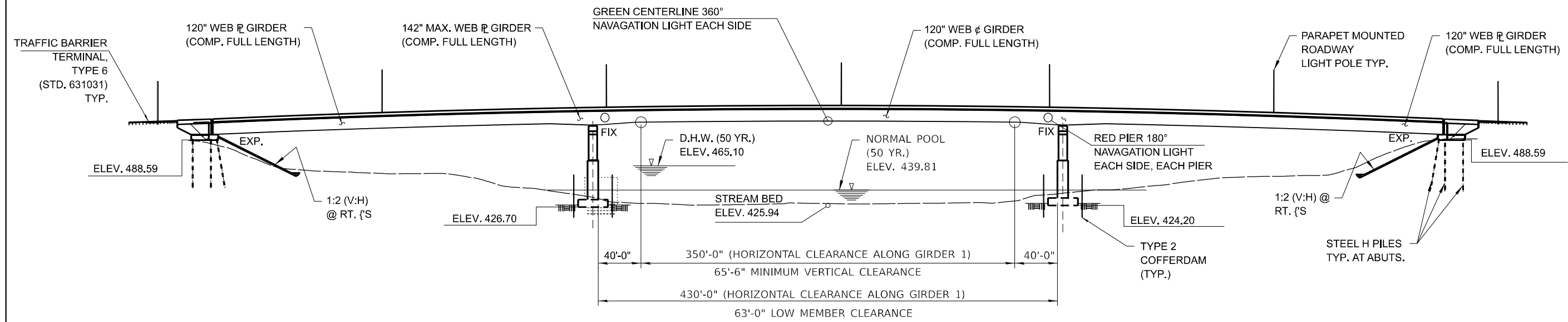
USER NAME = ronald.woodshank	DESIGNED - RW	REVISED -
	DRAWN - RW	REVISED -
PLOT SCALE = \$SCALE\$	CHECKED - YP	REVISED -
PLOT DATE = 7/22/2024	DATE - 3/17/2023	REVISED -

**STATE OF ILLINOIS  
DEPARTMENT OF TRANSPORTATION**

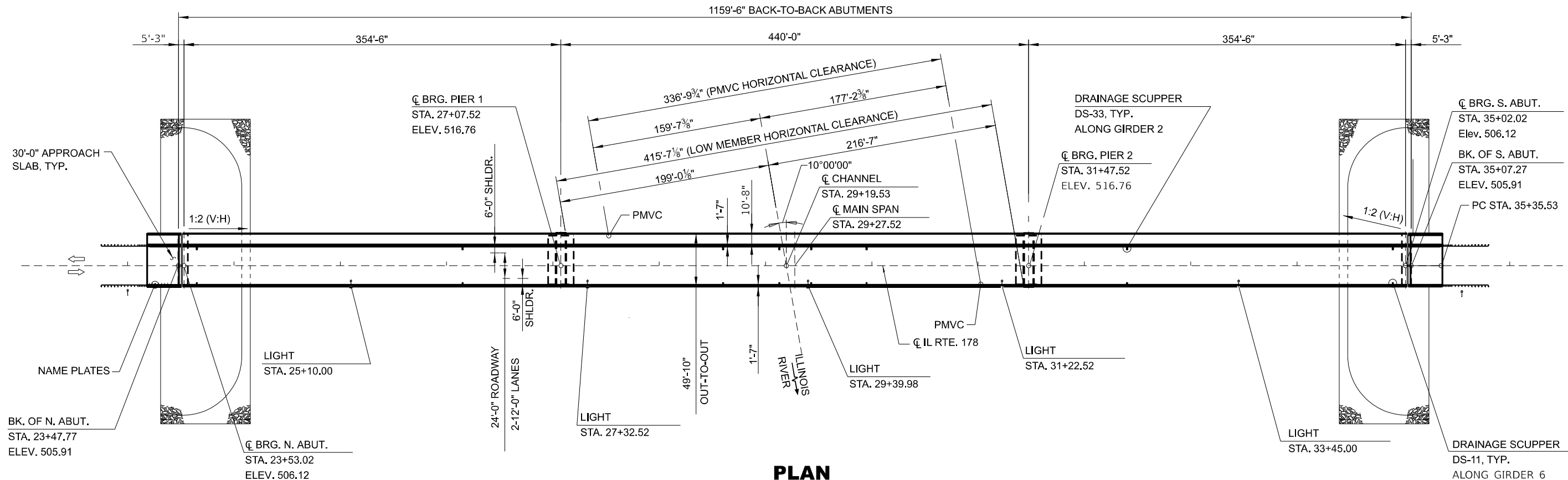
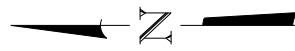
**EXISTING DECK CROSS SECTION  
LOCATION NO. 1 - STRUCTURE NO. 050-0237 (LASALLE)**

SCALE: SHEET 2 OF 2 SHEETS STA. TO STA.

F.A. RTE.	SECTION	COUNTY	TOTAL SHEETS	SHEET NO.
VAR	RIVER BRIDGE WASHING 2025	LASALLE	18	11
			CONTRACT NO. 66N42	
		ILLINOIS	FED. AID PROJECT	



**ELEVATION**  
(LOOKING EAST)



**PLAN**

MODEL: D:\Illinois\Projects\66N42\CADD\Drawings\66N42\CADD\Sheet66N42.dwg  
 FILE NAME: 66N42.dwg  
 PLOT DATE: 7/22/2024

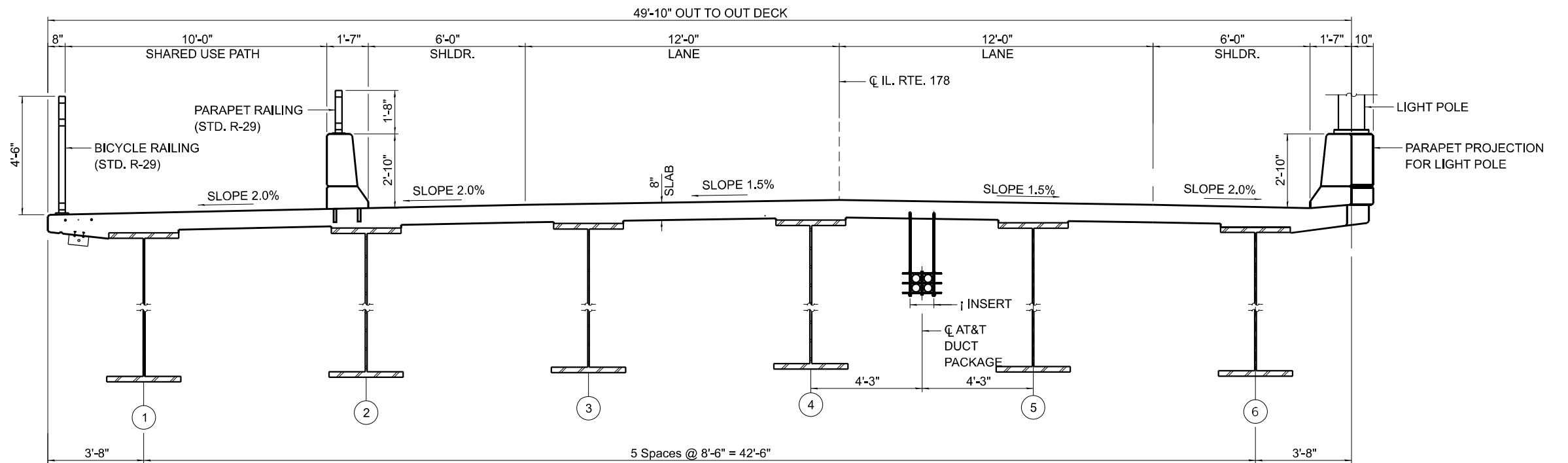
USER NAME = ronald.woodshank	DESIGNED - RW	REVISED -
DRAWN - RW	REVISOR -	
PLOT SCALE = \$SCALE\$	CHECKED - YP	REVISED -
PLOT DATE = 7/22/2024	DATE - 3/17/2023	REVISED -

**STATE OF ILLINOIS**  
**DEPARTMENT OF TRANSPORTATION**

**EXISTING GENERAL PLAN AND ELEVATION**  
**LOCATION NO. 2 - STRUCTURE NO. 050-0256 (UTICA)**

SCALE: SHEET 1 OF 2 SHEETS STA. TO STA.

F.A. RTE.	SECTION	COUNTY	TOTAL SHEETS	SHEET NO.
VAR	RIVER BRIDGE WASHING 2025	LASALLE	18	12
CONTRACT NO. 66N42			ILLINOIS FED. AID PROJECT	



**NEAR PIER**

**CROSS SECTION**  
(LOOKING SOUTH)

**NEAR MIDSPAN**

MODEL: Default  
FILE NAME: \\p01bpcvaweb\jerry.com\PM\DOT\Documents\DOT Office\District 3\ORD Projects\0388N42\CAD\Drawings\CADD Sheets\66N42.dgn

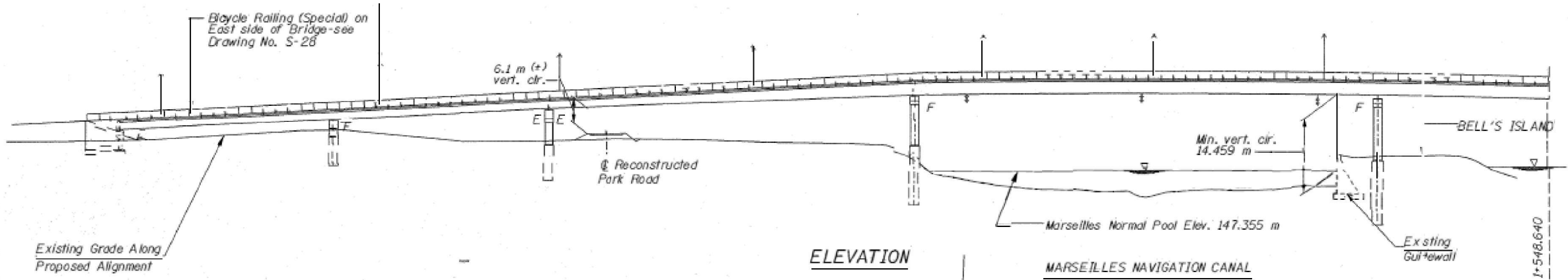
USER NAME = ronald.woodshank	DESIGNED - RW	REVISED -
	DRAWN - RW	REVISED -
PLOT SCALE = \$SCALE\$	CHECKED - YP	REVISED -
PLOT DATE = 7/22/2024	DATE - 3/17/2023	REVISED -

**STATE OF ILLINOIS**  
**DEPARTMENT OF TRANSPORTATION**

**EXISTING DECK CROSS SECTIONS**  
**LOCATION NO. 2 - STRUCTURE NO. 050-0256 (UTICA)**

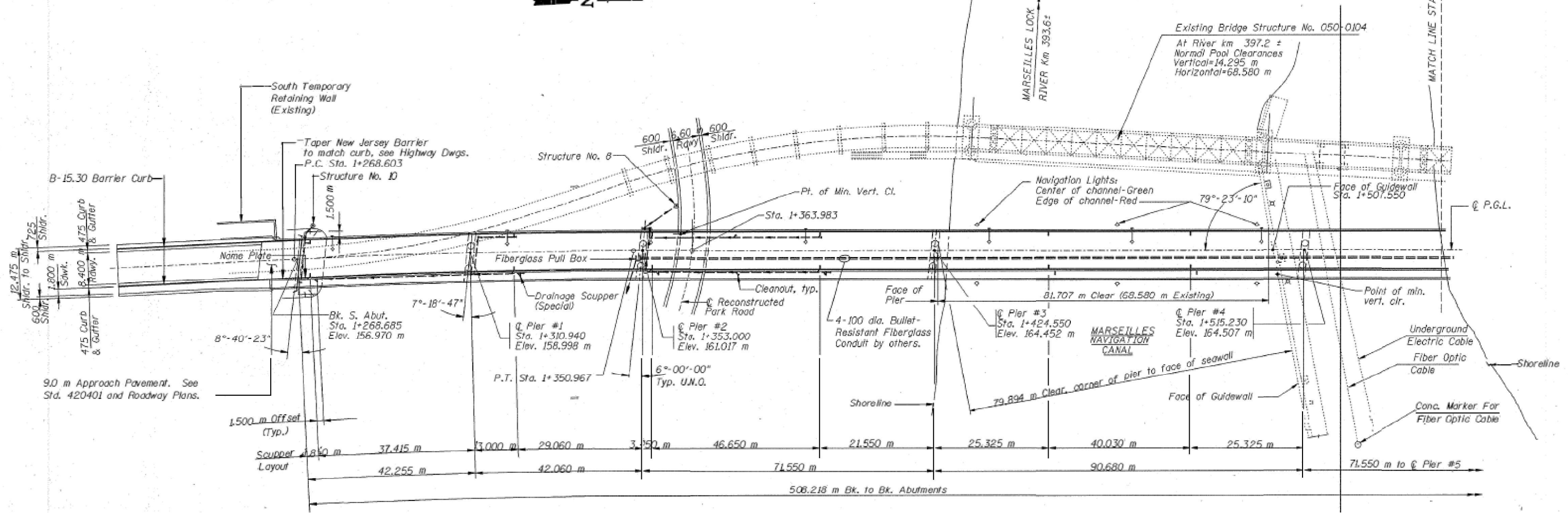
SCALE: SHEET 2 OF 2 SHEETS STA. TO STA.

F.A. RTE.	SECTION	COUNTY	TOTAL SHEETS	SHEET NO.
VAR	RIVER BRIDGE WASHING 2025	LASALLE	18	13
			CONTRACT NO. 66N42	
		ILLINOIS FED. AID PROJECT		



ELEVATION

MARSEILLES NAVIGATION CANAL



MODEL: Default  
FILE NAME: \\p01000001\proj\p01000001\p01000001\p01000001\CADD\Drawings\050-0219\050-0219-018-018.dwg

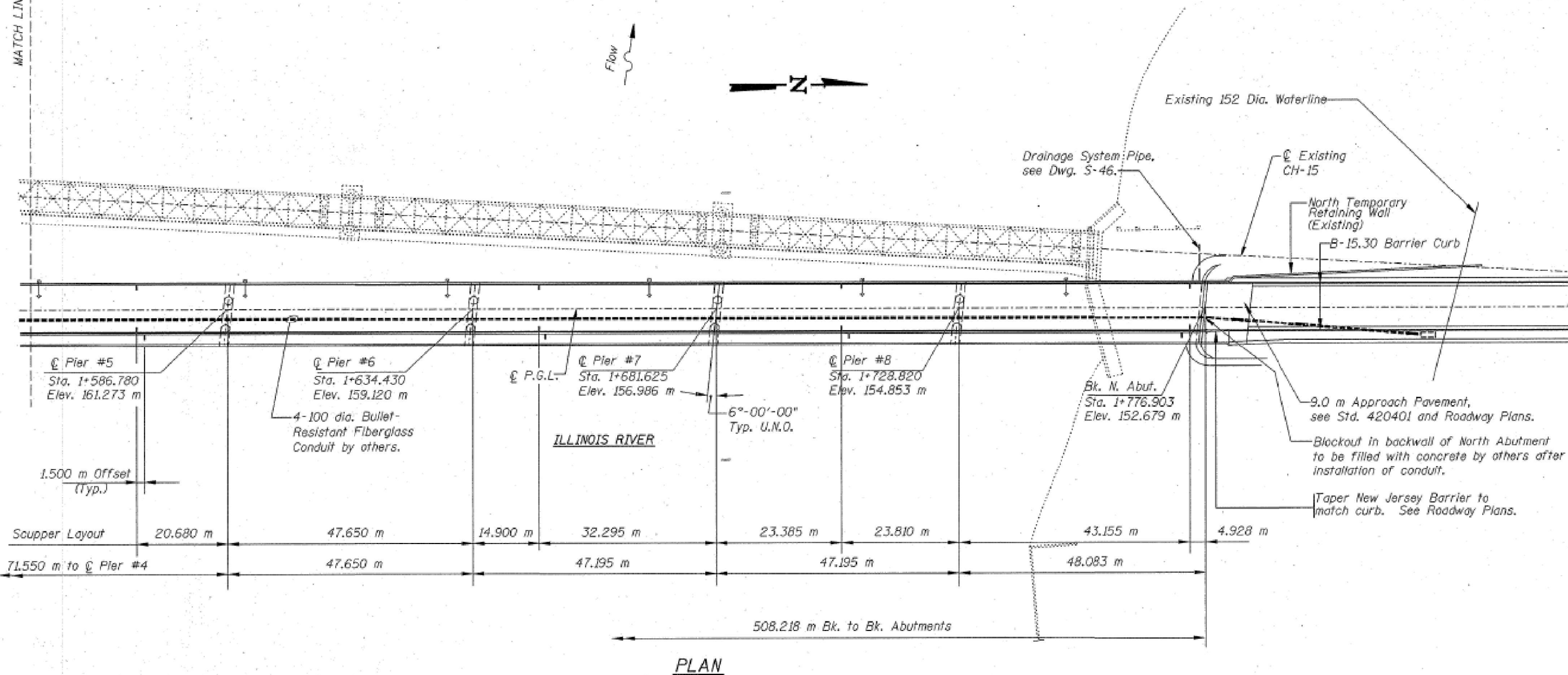
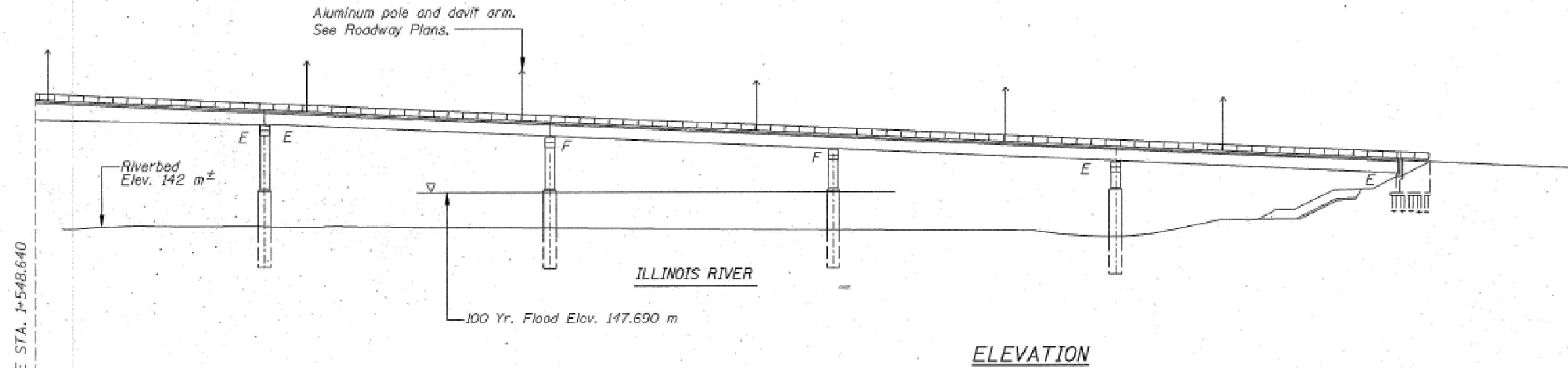
USER NAME = ronald.woodshank	DESIGNED - RW	REVISED -
DRAWN - RW	REVISED -	
PLOT SCALE = \$SCALES	CHECKED - YP	REVISED -
PLOT DATE = 7/22/2024	DATE - 3/17/2023	REVISED -

STATE OF ILLINOIS  
DEPARTMENT OF TRANSPORTATION

EXISTING GENERAL PLAN AND ELEVATION  
LOCATION NO. 3 - STRUCTURE NO. 050-0219 (MARSEILLES)

SCALE: SHEET 1 OF 3 SHEETS STA. TO STA.

F.A. RTE.	SECTION	COUNTY	TOTAL SHEETS	SHEET NO.
VAR	RIVER BRIDGE WASHING 2025	LASALLE	18	14
			CONTRACT NO. 66N42	
		ILLINOIS FED. AID PROJECT		



MODEL: Default FILE NAME: J:\Illinois\2023\050-0219\030-Structure\050-0219\CADD\Drawings\0219.dwg

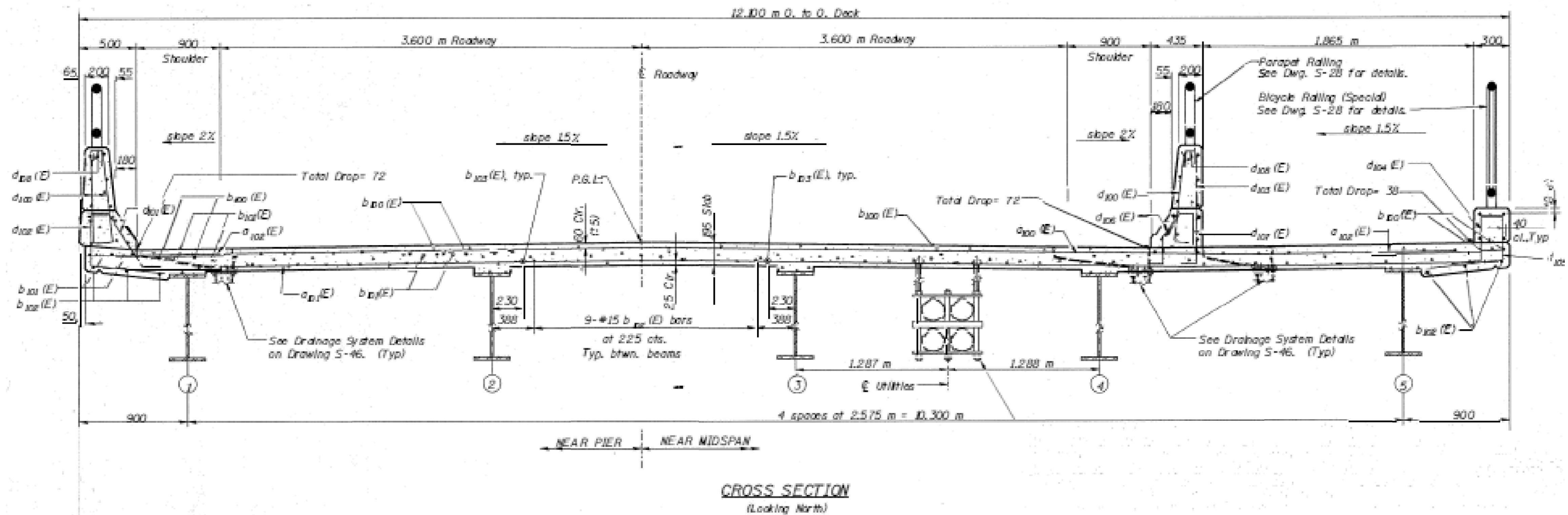
USER NAME = ronald.woodshank	DESIGNED - RW	REVISED -
	DRAWN - RW	REVISED -
PLOT SCALE = SS CALES	CHECKED - YP	REVISED -
PLOT DATE = 7/22/2024	DATE - 3/17/2023	REVISED -

**STATE OF ILLINOIS  
DEPARTMENT OF TRANSPORTATION**

**EXISTING GENERAL PLAN AND ELEVATION  
LOCATION NO. 3 - STRUCTURE NO. 050-0219 (MARSEILLES)**

SCALE: SHEET 2 OF 3 SHEETS STA. TO STA.

F.A. RTE.	SECTION	COUNTY	TOTAL SHEETS	SHEET NO.
VAR	RIVER BRIDGE WASHING 2025	LASALLE	18	15
CONTRACT NO. 66N42				
ILLINOIS FED. AID PROJECT				



MODEL: Default  
 FILE NAME: \\p01bpcvpa01\p01\p01\DOT Documents\DOT Office\Bridg\30RD Project\0388\N4\CAD Data\CADD Sheets\66N42.dwg

USER NAME = ronald.woodshank	DESIGNED - RW	REVISED -
	DRAWN - RW	REVISED -
PLOT SCALE = \$SCALES	CHECKED - YP	REVISED -
PLOT DATE = 7/22/2024	DATE - 3/17/2023	REVISED -

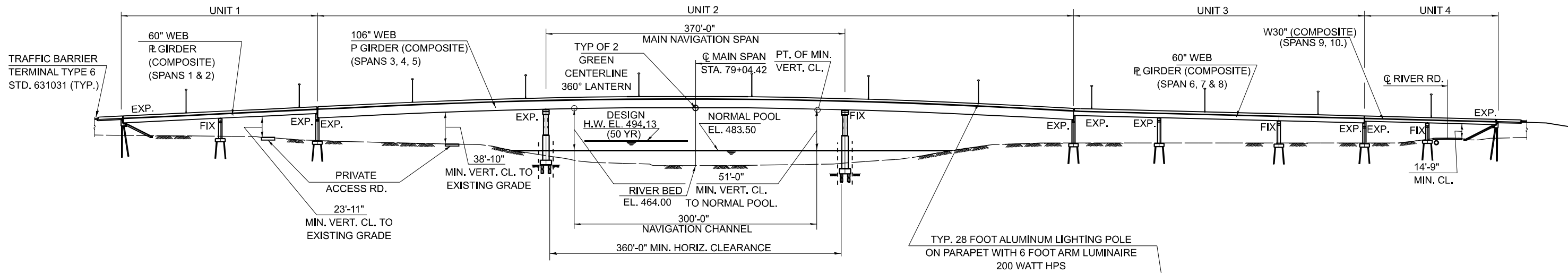
**STATE OF ILLINOIS**  
**DEPARTMENT OF TRANSPORTATION**

**EXISTING DECK CROSS SECTIONS**  
**LOCATION NO. 3 - STRUCTURE NO. 050-0219 (MARSELLES)**

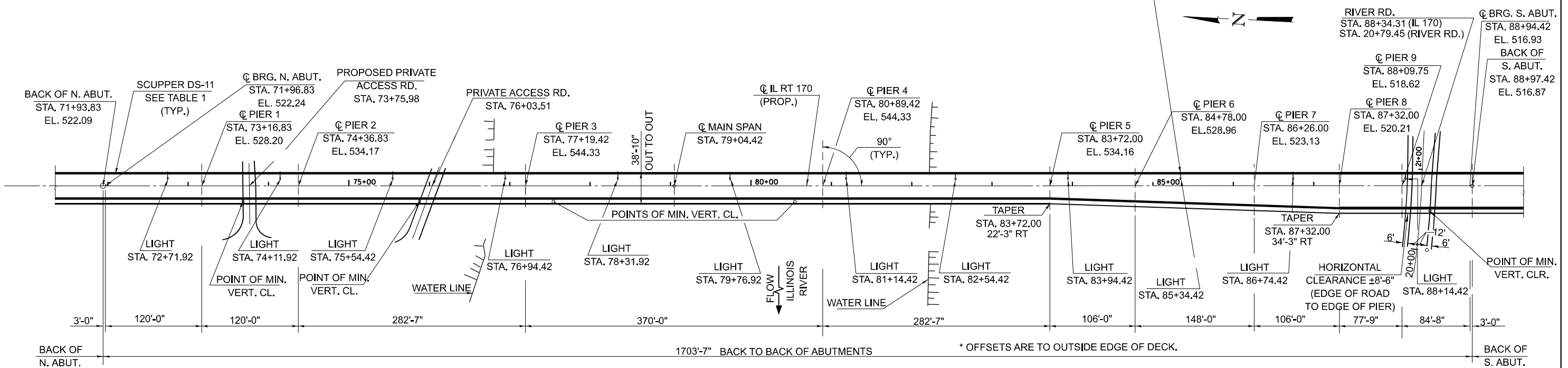
SCALE: SHEET 3 OF 3 SHEETS STA. TO STA.

F.A. RTE.	SECTION	COUNTY	TOTAL SHEETS	SHEET NO.
VAR	RIVER BRIDGE WASHING 2025	LASALLE	18	16
			CONTRACT NO. 66N42	
ILLINOIS FED. AID PROJECT				





**ELEVATION**



**PLAN**

MODEL: D:\inf\...  
 FILE NAME: ...  
 PROJECT: ...  
 SHEET: ...

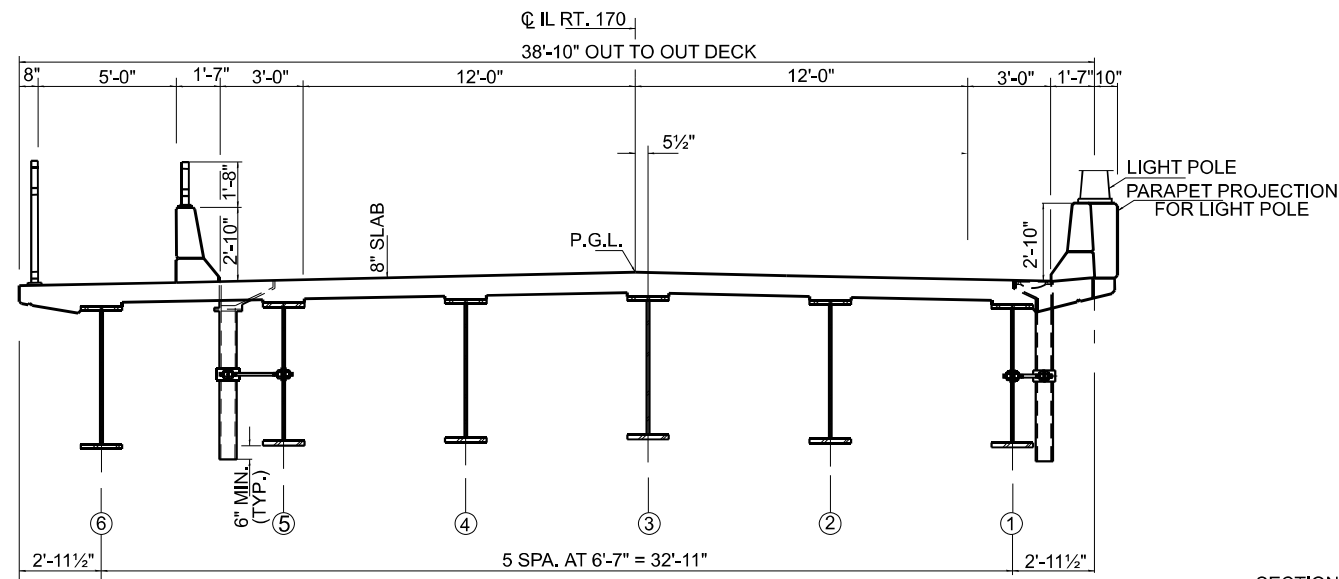
USER NAME = ronald.woodshank	DESIGNED - RW	REVISED -
DRAWN - RW	REVISED -	
PLOT SCALE = \$SCALE\$	CHECKED - YP	REVISED -
PLOT DATE = 7/22/2024	DATE - 3/17/2023	REVISED -

STATE OF ILLINOIS  
DEPARTMENT OF TRANSPORTATION

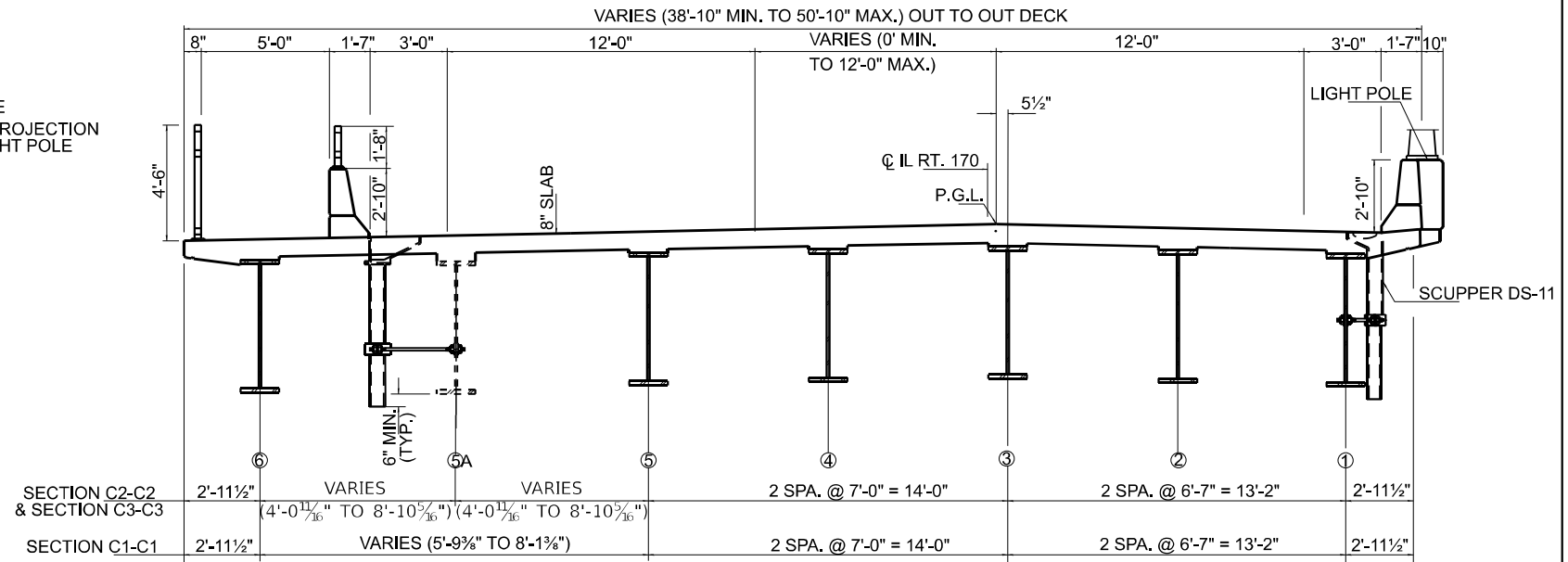
EXISTING GENERAL PLAN AND ELEVATION  
LOCATION NO. 4 - STRUCTURE NO. 050-0246 (SENECA)

SCALE: SHEET 1 OF 2 SHEETS STA. TO STA.

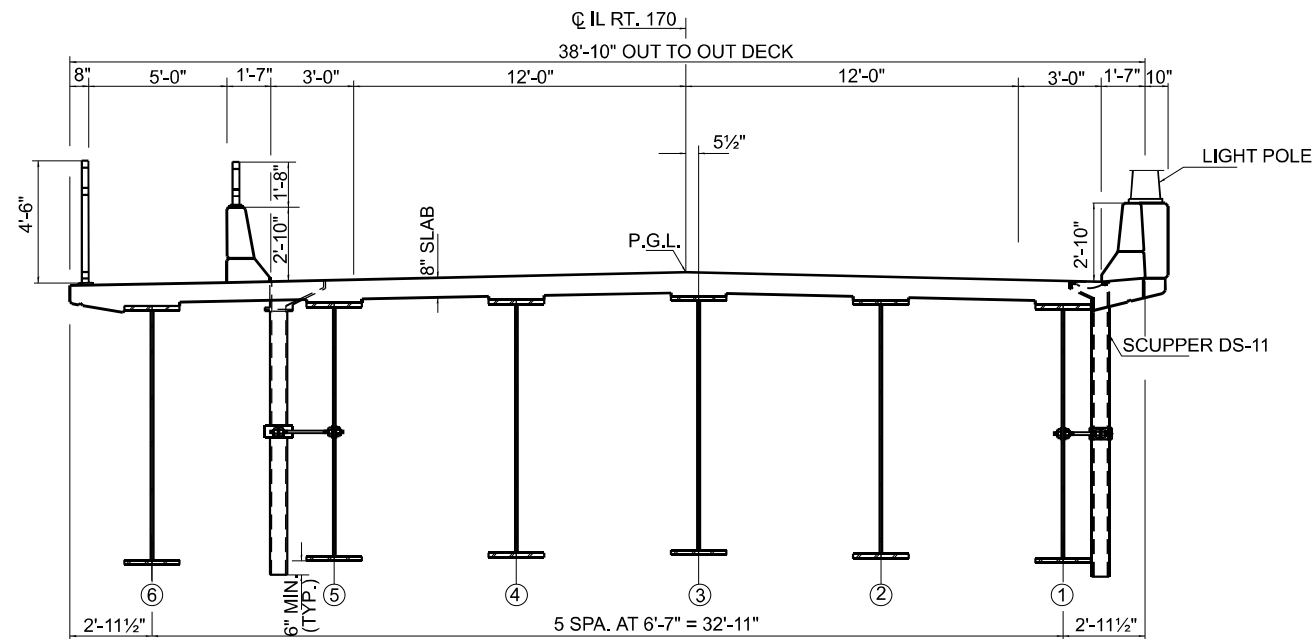
F.A. RTE.	SECTION	COUNTY	TOTAL SHEETS	SHEET NO.
VAR	RIVER BRIDGE WASHING 2025	LASALLE	18	17
ILLINOIS FED. AID PROJECT			CONTRACT NO. 66N42	



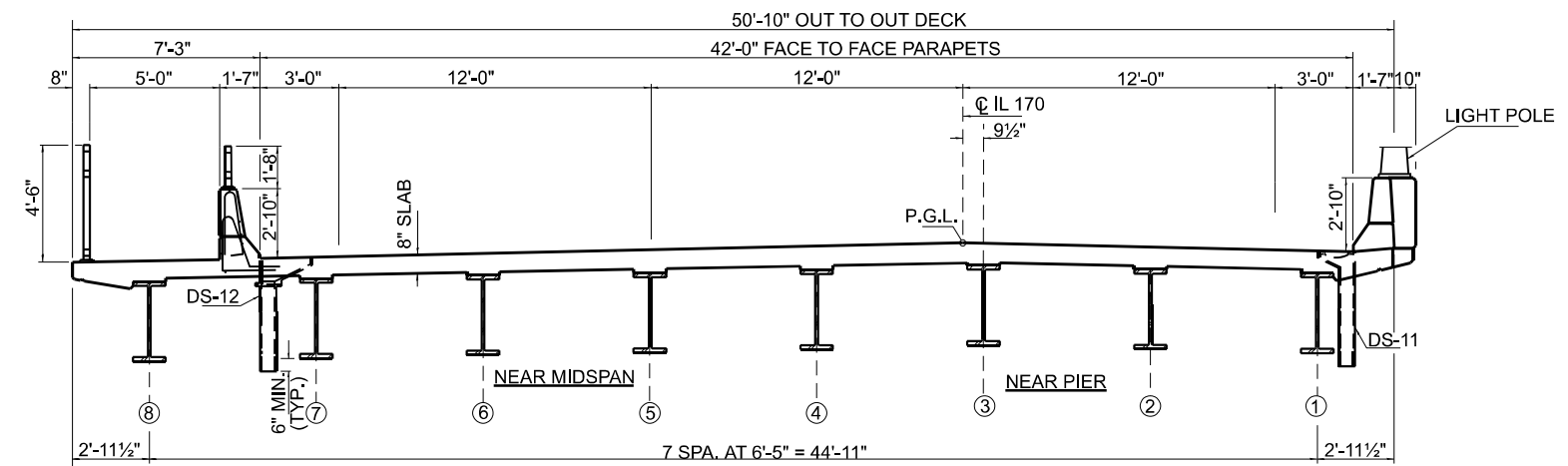
**CROSS-SECTION A-A (UNIT 1)**  
LOOKING NORTH



**CROSS-SECTION C1-C1, C2-C2, & C3-C3 (UNIT 3)**  
LOOKING NORTH



**CROSS-SECTION B-B (UNIT 2)**  
LOOKING NORTH



**CROSS-SECTION D-D (UNIT 4)**  
LOOKING NORTH

MODEL: D:\final...  
 FILE NAME: ...  
 PROJECT: ...  
 SHEET: ...

USER NAME = ronald.woodshank	DESIGNED - RW	REVISED -
DRAWN - RW	REVISED -	
PLOT SCALE = \$SCALE\$	CHECKED - YP	REVISED -
PLOT DATE = 7/22/2024	DATE - 3/17/2023	REVISED -

**STATE OF ILLINOIS  
DEPARTMENT OF TRANSPORTATION**

**EXISTING DECK CROSS SECTIONS  
LOCATION NO. 4 - STRUCTURE NO. 050-0246 (SENECA)**

SCALE: SHEET 2 OF 2 SHEETS STA. TO STA.

F.A. RTE.	SECTION	COUNTY	TOTAL SHEETS	SHEET NO.
VAR	RIVER BRIDGE WASHING 2025	LASALLE	18	18
CONTRACT NO. 66N42				
ILLINOIS FED. AID PROJECT				