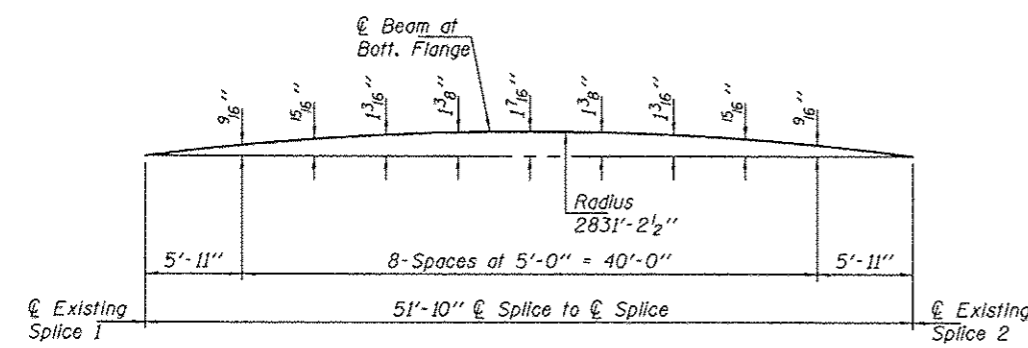


BEAM 13 ELEVATION (INSIDE VIEW)



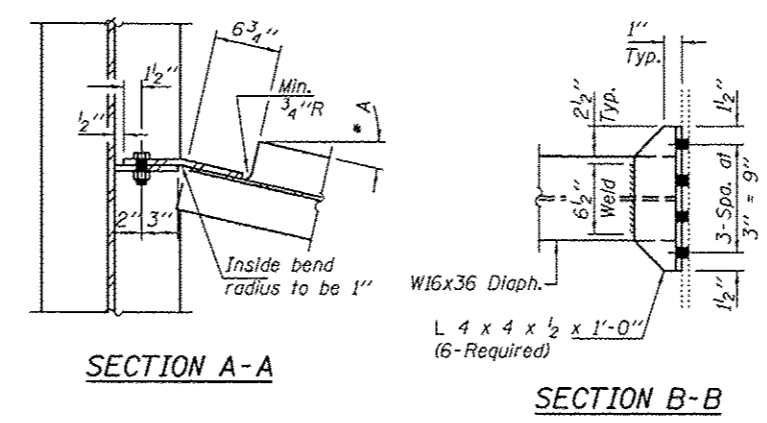
BEAM 13 HORIZONTAL CURVING DIAGRAM

Notes:
 The cost of all field drilling required for installation of the steel member is included with "Furnishing and Erecting Structural Steel."
 Removal of existing beam to be paid for as "Structural Steel Removal"
 Use existing splice R's as template to field drill holes in new beam at existing splice locations.
 New Beam & Clip L's to be paid for as "Furnishing and Erecting Structural Steel."
 All Clip L's to be shop welded to diaphragms.

* For dimensions "A" & "L" see Table of Dimensions.

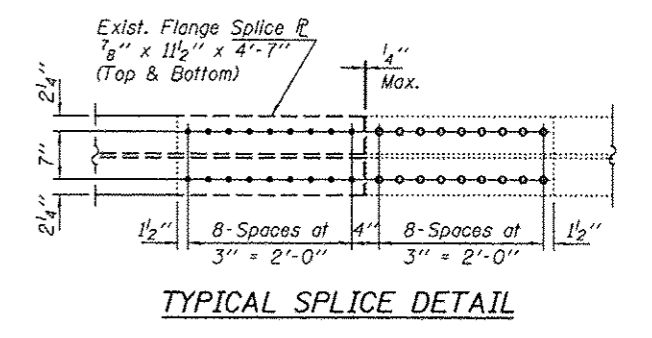
TABLE OF DIMENSIONS

Diaph.	L	A
D11	3'-11 5/8"	1°-15'-15"
D13	3'-7 7/16"	0°-52'-22"
D15	3'-4 3/4"	0°-29'-29"

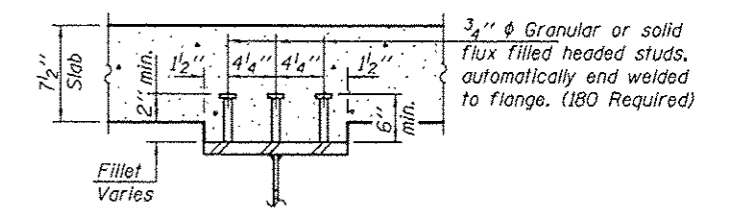


SECTION A-A

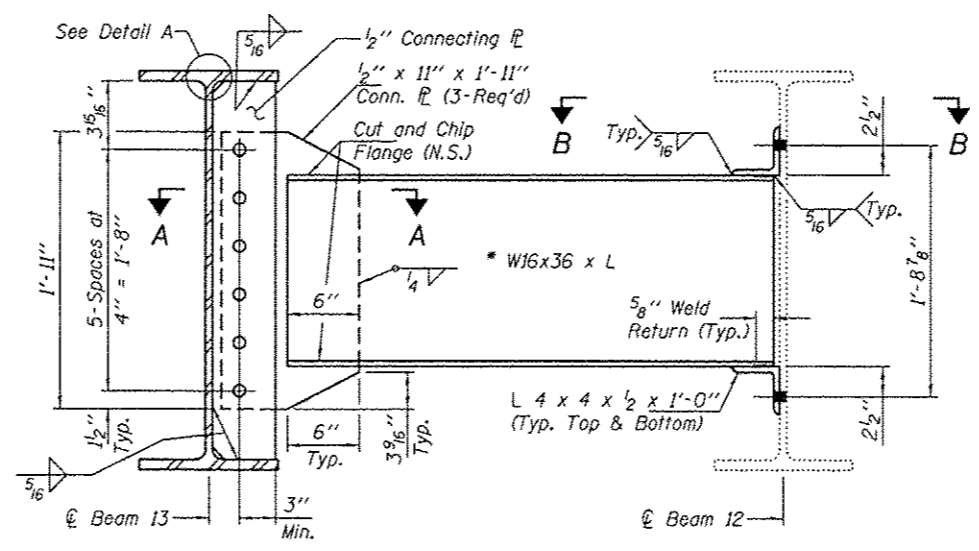
SECTION B-B



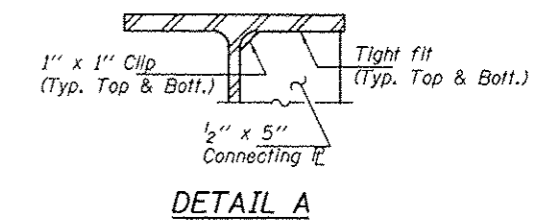
TYPICAL SPLICE DETAIL



SHEAR STUD DETAILS



DIAPHRAGM D11, D13, & D15



DETAIL A