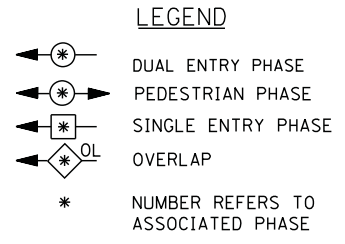
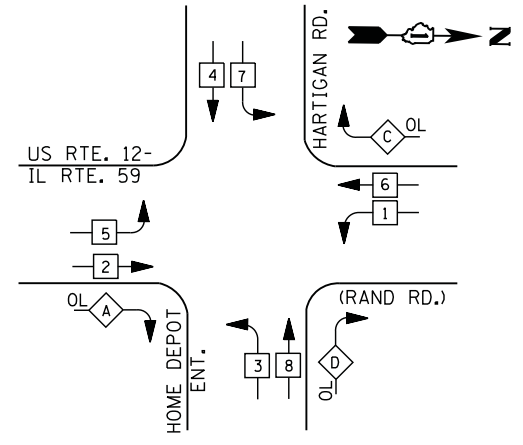


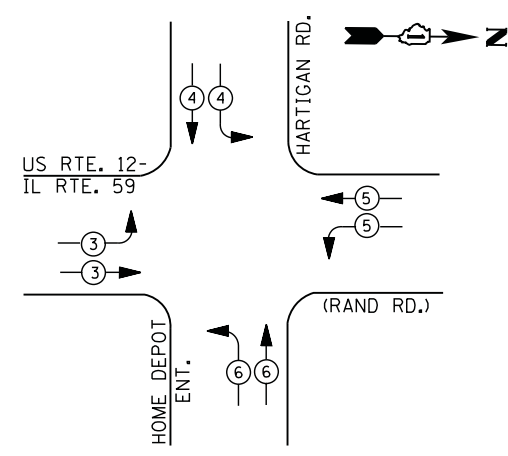
CONTROLLER SEQUENCE



RIGHT TURN OVERLAP PHASE DESIGNATION

OVERLAP LETTER	PERMISSIVE PHASE	PROTECTED PHASE
A =	2 +	3
C =	6 +	7
D =	8 +	1

PHASE DESIGNATION DIAGRAM



EMERGENCY VEHICLE PREEMPTION SEQUENCE

EMERGENCY VEHICLE PREEMPTORS				
EMERGENCY VEHICLE PREEMPTOR	3	4	5	6
MOVEMENT				

I. D. O. T. TRAFFIC SIGNAL INSTALLATION ELECTRICAL SERVICE REQUIREMENTS

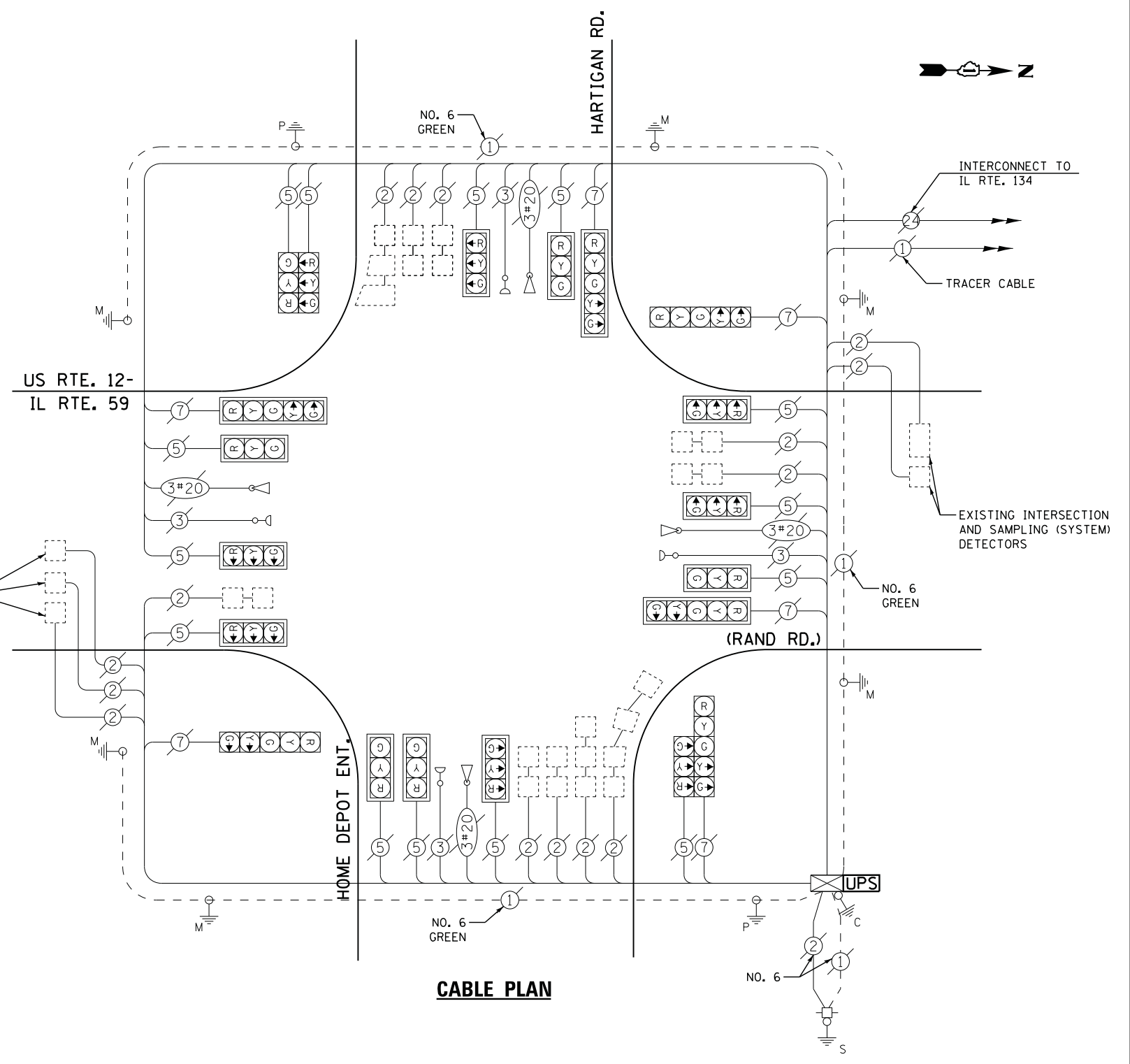
TYPE	NO. LAMPS	WATTAGE		% OPERATIONS	TOTAL WATTAGE
		INCAND.	LED		
SIGNAL (RED)	20	135	17	0.50	170
(YELLOW)	20	135	25	0.25	125
(GREEN)	20	135	15	0.25	75
ARROW	12	135	12	0.10	14
PED. SIGNAL	--	90	25	1.00	--
CONTROLLER	1	100	100	1.00	100
ILLUM. SIGN		252	25	0.05	
VIDEO SYSTEM		150	-	1.00	
TOTAL =					484

ENERGY COSTS- BILLED TO: VILLAGE OF FOX LAKE
 66 THILLEN DRIVE
 FOX LAKE, IL 60020

ENERGY SUPPLY - CONTACT TERRI BLECK
 PHONE 847-816-5239
 COMMONWEALTH EDISON

SCHEDULE OF QUANTITIES

QUANTITY	UNIT	ITEM
1	EACH	MAINTENANCE OF EXISTING TRAFFIC SIGNAL INSTALLATION
1	EACH	MODIFY EXISTING CONTROLLER CABINET
1	EACH	UNINTERRUPTABLE POWER SUPPLY, SPECIAL



CABLE PLAN

FILE NAME = USER NAME = *USER*
 N:\Projects\3\12004\DesignCAD\Sheet Files\12-004 Sheets NW Lake Co\00558_CAB_LAKE.dgn DRAWN - JDH
 PLOT SCALE = *SCALE* CHECKED - KMM
 PLOT DATE = 12/10/2012 DATE -

DESIGNED - DW
 REVISIONS -
 REVISIONS -
 REVISIONS -
 REVISIONS -

STATE OF ILLINOIS DEPARTMENT OF TRANSPORTATION

US ROUTE 12 - IL ROUTE 59 AT HARTIGAN ROAD SCHEDULE OF QUANTITIES, CABLE PLAN, PHASE DESIGNATION DIAGRAM AND EMERGENCY VEHICLE PREEMPTION SEQUENCE

SCALE: N.T.S. SHEET NO. OF SHEETS STA. TO STA.

F.A. RTE.	SECTION	COUNTY	TOTAL SHEETS	SHEET NO.
	2012-040TS	LAKE	60	20
CONTRACT NO. 60T85				
ILLINOIS FED. AID PROJECT				

TS# 558
 FOX LAKE