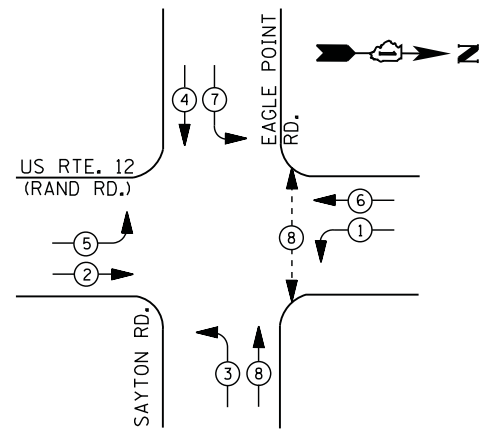
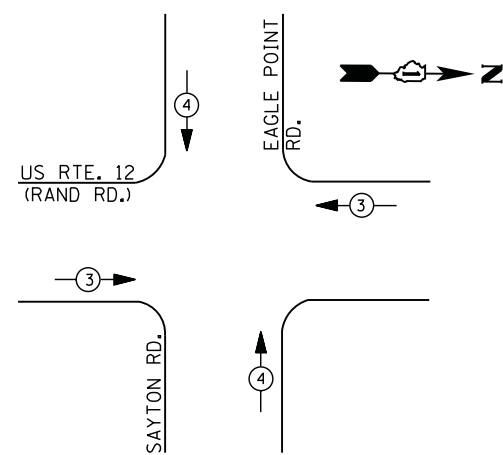


CONTROLLER SEQUENCE



EXISTING AND PROPOSED PHASE DESIGNATION DIAGRAM



EXISTING AND PROPOSED EMERGENCY VEHICLE PREEMPTION SEQUENCE

EMERGENCY VEHICLE PREEMPTORS		
EMERGENCY VEHICLE PREEMPTOR	3	4
MOVEMENT	← →	↑ ↓

I. D. O. T. TRAFFIC SIGNAL INSTALLATION ELECTRICAL SERVICE REQUIREMENTS					
TYPE	NO. LAMPS	WATTAGE		% OPERATIONS	TOTAL WATTAGE
		INCAND.	LED		
SIGNAL (RED)	13	135	17	0.50	111
(YELLOW)	13	135	25	0.25	81
(GREEN)	13	135	15	0.25	49
ARROW	16	135	12	0.10	19
PED. SIGNAL	2	90	25	1.00	50
CONTROLLER	1	100	100	1.00	100
ILLUM. SIGN		252	25	0.05	--
VIDEO SYSTEM	1	150	-	1.00	150
TOTAL =					560

ENERGY COSTS- BILLED TO: VILLAGE OF FOX LAKE
 66 THILLEN DRIVE
 FOX LAKE, IL 60020

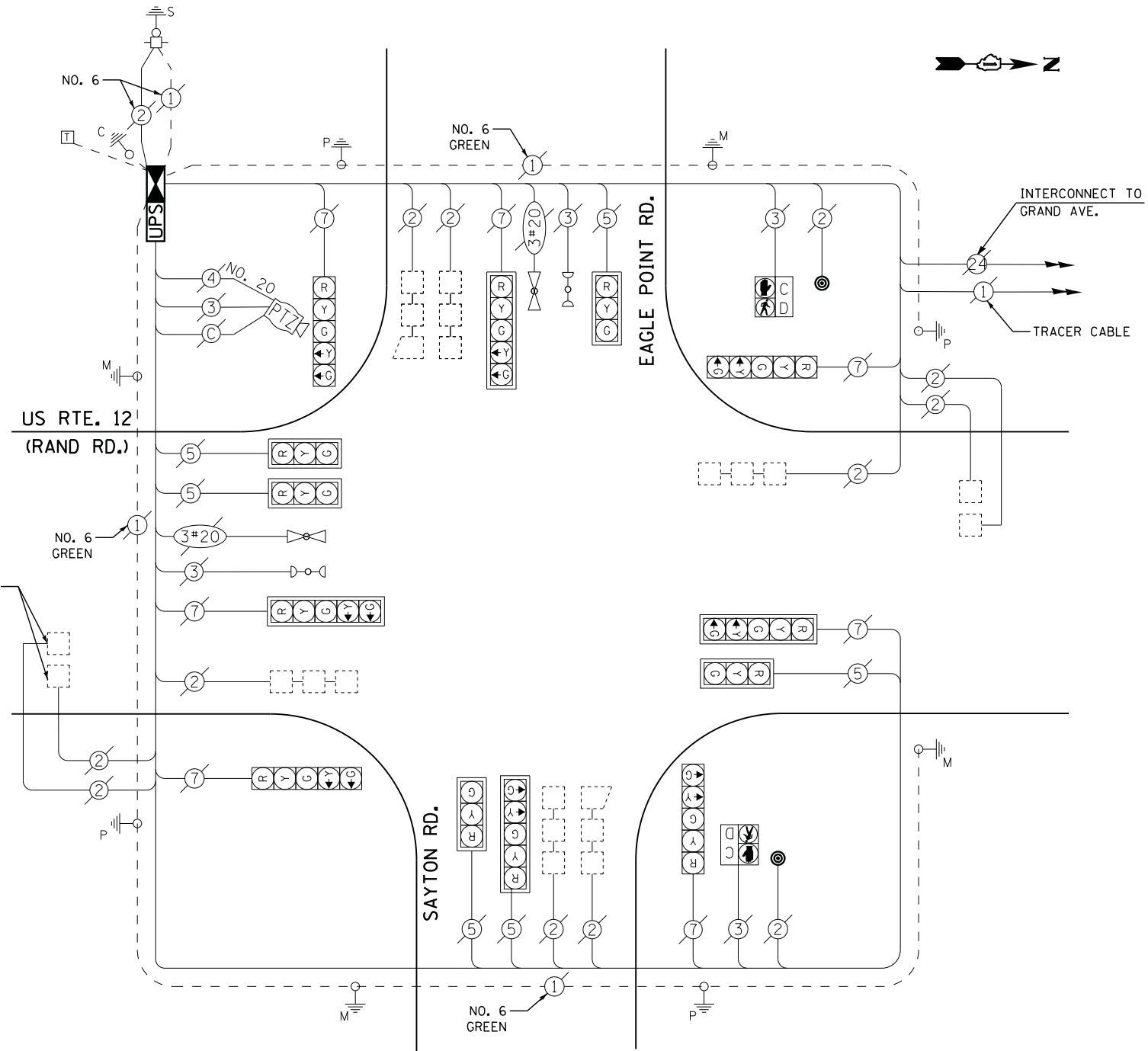
ENERGY SUPPLY - CONTACT TERRI BLECK
 PHONE 847-816-5239
 COMMONWEALTH EDISON

LEGEND

- ←*→ DUAL ENTRY PHASE
- ←* PEDESTRIAN PHASE
- ←* SINGLE ENTRY PHASE
- ←* OVERLAP
- * NUMBER REFERS TO ASSOCIATED PHASE

EXISTING FIBER OPTIC SPLICE BOX, POWER SUPPLIES, PTZ SURGE PROTECTORS, ALL NECESSARY WIRING/CABLES AND ANY ADDITIONAL LAKE COUNTY EQUIPMENT SHALL BE RELOCATED TO NEW CONTROLLER CABINET AS NECESSARY, OR AS DIRECTED BY THE ENGINEER IN ORDER TO MAINTAIN THE EXISTING INTERCONNECT SYSTEM. CARE SHOULD BE TAKEN TO NOT DAMAGE EXISTING FIBER OPTIC CABLE, SPLICES OR TERMINATIONS. REPAIR OF ANY DAMAGED EQUIPMENT WILL BE THE RESPONSIBILITY OF THE CONTRACTOR. THE COST OF THIS WORK SHALL BE INCLUDED IN THE FULL-ACTUATED CONTROLLER AND TYPE IV CABINET, SPECIAL PAY ITEM.

CONTRACTOR SHALL RELOCATE EXISTING EMERGENCY VEHICLE PRIORITY SYSTEM, PHASING UNIT TO A NEW CONTROLLER CABINET. THE COST OF THIS WORK SHALL BE INCLUDED IN THE FULL-ACTUATED CONTROLLER AND TYPE IV CABINET, SPECIAL PAY ITEM.



CABLE PLAN

THE TRAFFIC SIGNAL CONTROL EQUIPMENT FOR THIS PROJECT SHALL BE "ECONOLITE" TO MATCH THE EXISTING ADJACENT SYSTEM

SCHEDULE OF QUANTITIES

QUANTITY	UNIT	ITEM
1	EACH	MAINTENANCE OF EXISTING TRAFFIC SIGNAL INSTALLATION
1	EACH	TRANSCIEVER - FIBER OPTIC
10	EACH	INDUCTIVE LOOP DETECTOR
2	EACH	PEDESTRIAN PUSH-BUTTON
1	EACH	REMOVE EXISTING TRAFFIC SIGNAL EQUIPMENT
1	EACH	RELOCATE EXISTING SWITCH (SPECIAL)
1	EACH	RELOCATE EXISTING VIDEO ENCODER, SPECIAL
1	EACH	FULL-ACTUATED CONTROLLER AND TYPE IV CABINET, SPECIAL
1	EACH	UNINTERRUPTABLE POWER SUPPLY, SPECIAL

REMOVAL OF EXISTING TRAFFIC SIGNAL EQUIPMENT

THE FOLLOWING ITEMS SHALL BE REMOVED BY THE CONTRACTOR AND SHALL BE DISPOSED OF BY THEM OUTSIDE THE RIGHT-OF-WAY AT THEIR EXPENSE. THE SALVAGE VALUE OF THE REMOVED EQUIPMENT SHALL BE REFLECTED IN THE CONTRACT BID PRICE.

2	EACH	PEDESTRIAN PUSH-BUTTON
1	EACH	CONTROLLER AND CABINET (COMPLETE)